

手動式注油器

Specifications :

For which the oil pump is set in an oil tank with a loading capacity of 600cc, to operate the oil pump just pull away the handle manually, whereupon the plug will feed out the oil by the compression of the spring, the oil being fed out depending upon the viscosity of the oil in use, the oil pump fitted with with a check valve to prevent return of the oil being fed out, the oil tank made of

high grade aluminum alloy molded through extrusion skill and gone through painting finishing, looks great in appearance, the paint will never strip off, Model WEA-8 comprising both sides, right and left, in execution, please purchase according to your specific requirements, compact in size, easy for installation, best suitable for oil feeding holes up to 10 sites.

型式 TYPE	吐出量 Output	吐出壓力 Discharge Pressure	容量 Tank Vol.	有效容量 Effective Vol.	吐出口徑 Outlet Dia.	吐出口數 Outlet Points	使用油 Oil	固定孔 Fix Hole	重量 w.t / kg
WEA-8	8cc/strok	3.5kg/cm ²	600cc	500cc	4 ø or 6 ø	1P	machine oil	R.&L./ 左,右	0.93

11

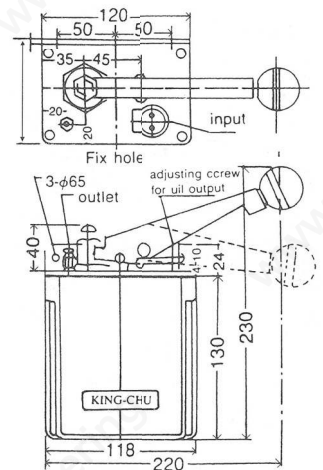
手壓式給油裝置

One Shot Lubricating Pump (R.L.)

TYPE:KCL 8

規格說明

1. 注入清潔潤滑油進入油桶內。
2. 使用時，手壓把手，則潤滑油即由出口射出。
3. 本型係4m/m或6m/m之單一配管，能簡單地僅以手按即可提供數十處所以上之供油能力，通常使用於一日供2次到1星期數次之程度。
4. 本型幫浦，使用於各種工作母機、壓床、沖床、銑床、磨床、複合機專用機及特殊機械等。
5. 過濾網請每年更換一次或多次。



Specifications :

1. Fill the clean oil into the oil tank up to the top level.
2. Push the handle and the oil output from the outlet immediately.
3. This model is fitted with a $\phi 4\text{m/m}$ or $\phi 6\text{m/m}$ single pipe, able to feed oil for tens places or more simply by one press with a hand, usually used for feeding oil a few times per day to the extent of several times per week.
4. It is used for each kind of machine tools, such as lathe, press, milling machine, grind machine, PVC injection machine and all of special machines.
5. Please replace the filter once per year or more.

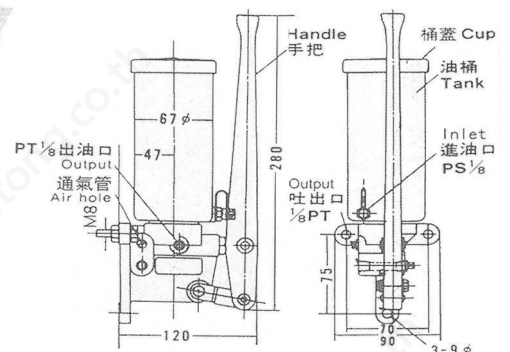
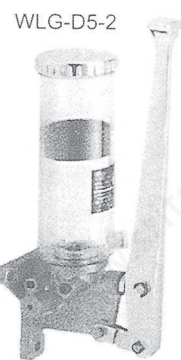
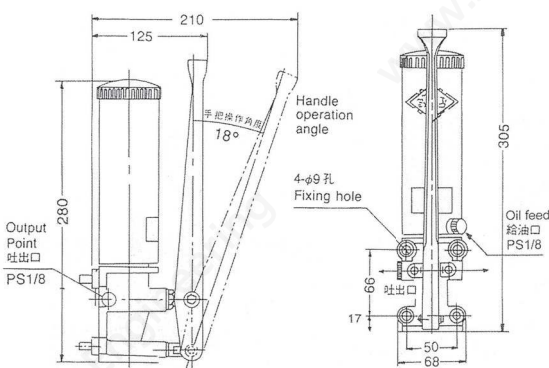
型式 TYPE	吐出量 Output	吐出壓力 Discharge Pressure	吐出口徑 Outlet Dia.	給油能力 Points	油桶容量 Cap	油桶材質 Material	重量 w.t / kg
KCL-8	2-7 cc	5 kg/cm ²	4 ø or 6 ø	20-40P	0.8 L	Resine	1.3

12

手搖式黃油泵浦

Manual Grease Pump

TYPE:WLG-D5, D5-2



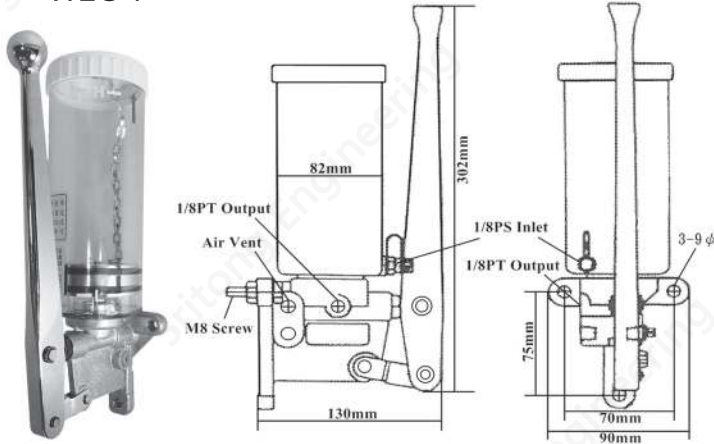
規格說明

手動式黃油泵浦因採用單管方式，故不需要回管，能以簡潔的配管獲得優越的效果。

Specifications :

Employing single pipe in execution, unnecessary the provision of return pipes, will achieve excellent results with simple provided piping networks.

WLG-7



Advantages of Lubrication with Grease:

- * Permitting piping of low costs because of the execution of lubrication being simpler than oil lubrication or otherwise, lubrication treatments.
- * Permitting an oil feeding that is just right in respect of amount because of smoother connection between the lubrication surfaces, thereby preventing leakage of redundant or surfeit of oil feed that would otherwise contaminate the ground.
- * Lesser entrainment of dusts or foreign materials to the oil feeding inlet.

Requisites for Lubrication with Grease:

- * Replacement of oil in use not required after installation of piping network wherein a lot of inspection and maintenance works.
- * Where sliding speed is less and high temperature prevails due to lesser cooling effects.
- * Clearance of the bearings should be greater where infiltration of or contamination by foreign materials such as chips of machining or dusts.

型 式 TYPE	吐 出 量 Output	吐 出 壓 力 Discharge Pressure	有 效 容 量 Effective Vol.	吐 出 口 徑 Outlet Dia.	吐 出 管 徑 Pipe Size	吐 出 口 數 Outlet Points	重 量 w.t / kg
WLG-D5	0.5 cc/st	100kg/cm ²	300cc	1/8 PS	6m/m	2P	1.6
WLG-D5-2	1 cc/st	100kg/cm ²	300cc	1/8 PS	6m/m	1P	1.2
WLG-7	1 cc/st	100kg/cm ²	600cc	1/8 PS	6m/m	1P	1.7

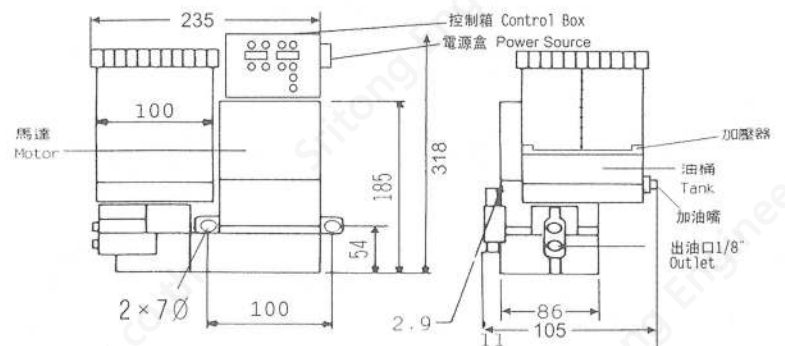
13 電動黃油泵浦 Electric Grease Pump TYPE:WLMG-7, WLMG-7A, 7B



電動黃油泵浦
Motor-Driven Grease Pump
TYPE:WLMG-7



LED 數字控制電動黃油泵浦
LED Digital I.C. Electrically Grease Pump
TYPE:WLMG-7A



規格說明

1. 潤滑油請採用國光牌0號或1號油品及同等級油品。
2. 使用三相電源之馬達，使用時，請注意馬達運轉方向，須依箭頭指示方向使用，本注油器係連續使用，為確保機器性能，請務必注意油品之品質及使用方法。
3. 採單向馬達運轉，亦可加裝時間控制器，以節省人力時間，確保機器之潤滑功能。
4. 潤滑油補充方式，可採由油桶上方，掀開桶蓋取出真空加油板，將潤滑油加入，或由油桶底部之加油口用加油槍將潤滑油灌入。
5. 當掀開加油蓋取出真空加壓板時，請置放於清潔處，以避免沾上污穢物，破壞注油器及機器之潤滑功能。

電動黃油注油器(WLMG-7) 係利用連桿活塞傳動方式輸出潤滑油，經由本公司特製之調整式配油器(WDV-)將潤滑油輸送至各潤滑點，維護機體最佳性能，延長機器使用壽命。

型 式 TYPE	吐 出 量 Output	吐 出 壓 力 Discharge Pressure	出 油 口 徑 Out let	容 量 Tank Vol.	馬 達 Motor	電 壓 (V) Voltage	電 流 Amper	極 數 Pole	頻 率 Hz	備 註 Remark	重 量 w.t / kg
WLMG-7	8/9.5cc	130kg/cm ²	1/8" PT	1,000cc	25 watts	110V or 220V 220V 三相	單相 0.2A 三相 0.27A	4	50/60 Hz		4.9
WLMG-7A	8/9.5cc	130kg/cm ²	1/8" PT	1,000cc	25 watts	110V or 220V	單相 0.2A	4	50/60 Hz	LED 控制箱	5.3
WLMG-7B	8/9.5cc	130kg/cm ²	1/8" PT	1,000cc	25 watts	110V or 220V	單相 0.2A	4	50/60 Hz	旋鈕控制箱	5.3