

# Rotary Joint - Air / Electrical XDF 31 - 50 Series



## Symbol / Features


1. Transmission for electrical signals and compressed air.
2. easy for connection.
3. Compact design, both side have flange mounting, Widely apply with robot and rotary table.
4. 360° continuous rotation, without tangling of tubes and electric wires.
5. Standards: GB / T 14468.1-2006 / ISO 9409-1: 2004.



## Specification

Model	XDF31-2	XDF31-4	XDF40-2	XDF40-4	XDF50-2	XDF50-4
Air Ways	2	4	2	4	2	4
Electrical Signals	4	6	4	6	4	6
Fluid	Air					
Operating Pressure Range MPa ( kgf/cm <sup>2</sup> )	0.1 ~ 1.0 ( 1.0 ~ 10 )					
Rated Voltage	V					
Rated Current	A					
Operating Temperature Range	°C					
Max. Rotation per Minutes	Rpm	120	110	120	110	120
Port	M5X0.8					
Mass	kg	0.50	1.06	0.85	1.80	0.85

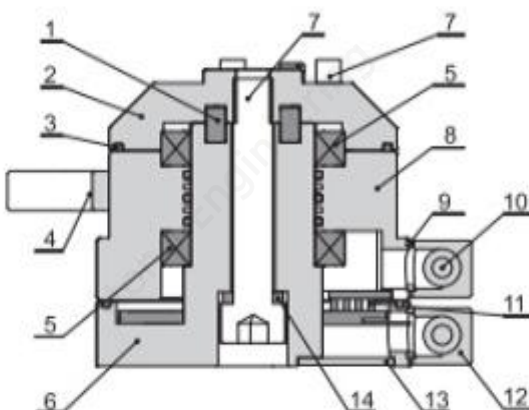
## Order Code

XDF	31	-	2	FA
Series	Flange Mounting Diameter		Port Number	Accessories
	31	Ø31.5	2	Blank
	40	Ø40	4	Without
	50	Ø50	4	FA
				Flange Plate

### Order Example

Flange Mounting Diameter: Ø40; Port no.: 2 air ways; 4 electrical signals. Order Code: XDF40-2

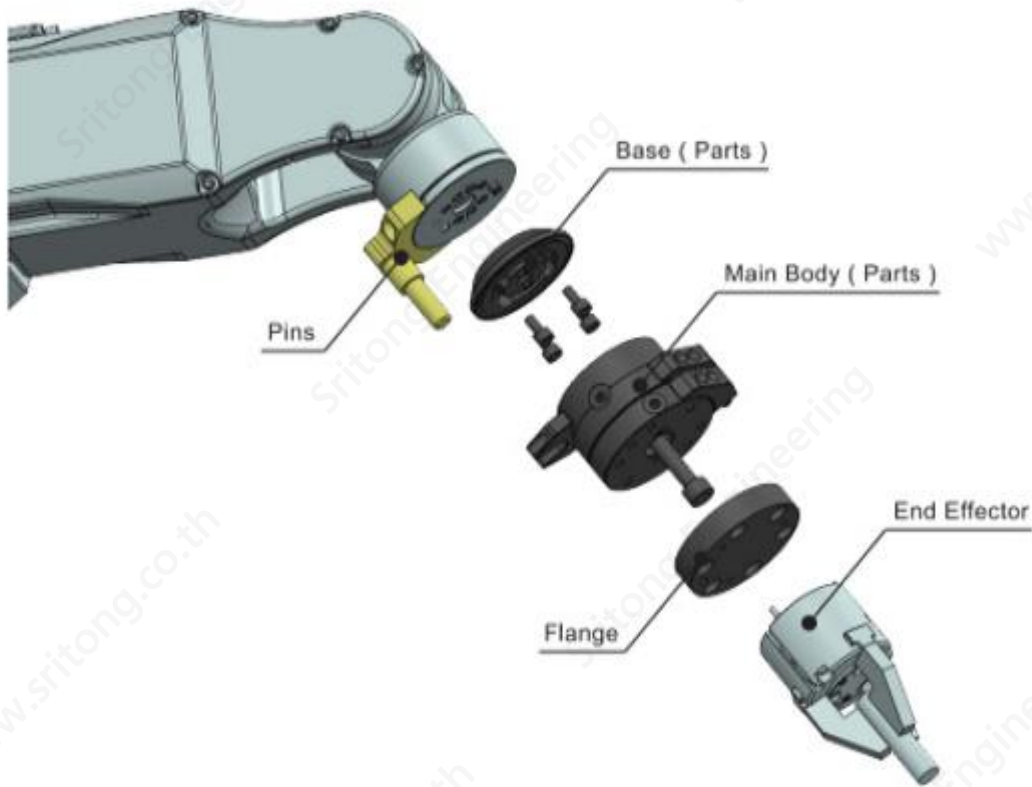
## Structure



## Main Parts

No.	Parts	Material
1	Cylindrical pin	Carbon Chromium
2	Pressure plate	Aluminium
3	O rings	Rubber ( NBR )
4	Block	Aluminium
5	Deep groove ball bearing	Bearing steel
6	Base	Aluminium
7	Screw	Carbon Steel
8	Housing	Aluminium
9	Rubber pad	Silicone
10	Socket	Plastic
11	Conductive Circuit Board	Beryllium Copper
12	Wire Trunking	Aluminium
13	Seal Plate	Stainless Steel
14	Spring Washer	Carbon Steel

Mounting



• Installation



Step 1: Remove the screws from the bottom,



Step 2: Assemble the flange with the screws,



Step 3: Assemble the main body.



Step 4: Completed.

• Fixed Pin Mounting



• Flange Mounting



• End Effector Mounting

