

DIMENSIONS

MILLIMETERS(INCHES)

WIX Series Spin-On Return Filter

Threaded Connection: PT, BSP and NPT.

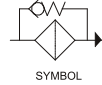
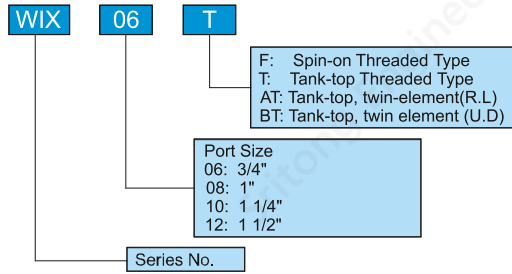
Port Size from 3/4" to 1 1/2"

In-Line mounting with spin-on cartridge

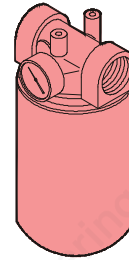
Pressure rating to 10 bar (150 psi)

With visual indicator- standard equipment

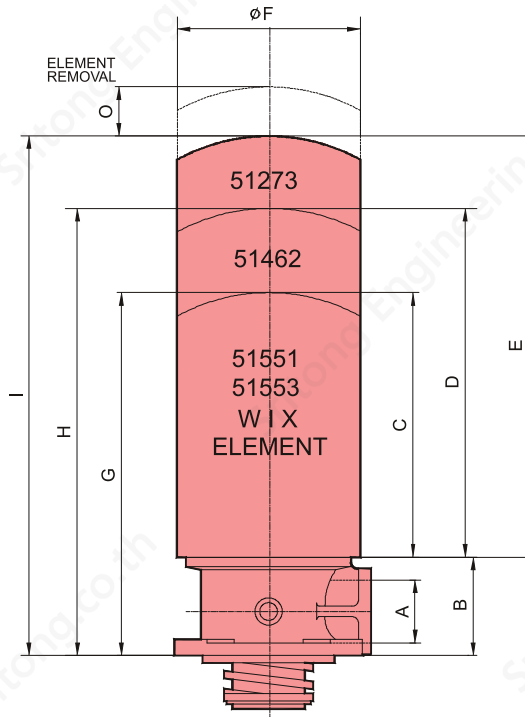
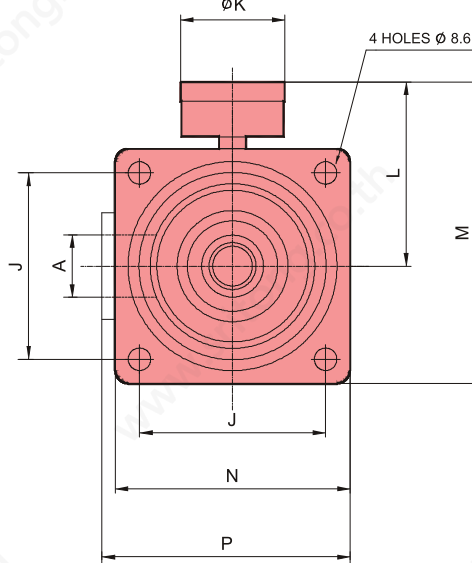
Ordering Code



WIX-06T



WIX-06F



Ratings

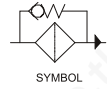
Series	A mm (in)	B mm (in)	C mm (in)	D mm (in)	E mm (in)	F mm (in)	G mm (in)	H mm (in)	I mm (in)	J mm (in)	K mm (in)	L mm (in)	M mm (in)	N mm (in)	O mm (in)	P mm (in)	Q mm (in)
WIX-06T	3/4"	53 (2.08)	135 (5.31)	178 (7.00)	215 (8.46)	93 (3.66)	188 (7.40)	231 (9.09)	268 (10.5)	38 (1.49)	38 (1.49)	80 (3.14)	105 (4.13)	93 (3.66)	25 (.98)	-	-
WIX-08T	1"	53 (2.08)	135 (5.31)	178 (7.00)	215 (8.46)	93 (3.66)	188 (7.40)	231 (9.09)	268 (10.5)	38 (1.49)	38 (1.49)	80 (3.14)	105 (4.13)	93 (3.66)	25 (.98)	-	-
WIX-10T	1 1/4"	65 (2.55)	167 (6.57)	230 (9.05)	286 (11.2)	127 (5.00)	232 (9.13)	295 (11.6)	351 (13.8)	47 (1.85)	38 (1.49)	136 (5.35)	150 (5.90)	136 (5.35)	45 (1.77)	37 (1.45)	18.5 (.72)
WIX-06F	3/4"	49 (1.92)	135 (5.31)	178 (7.00)	215 (8.46)	93 (3.66)	184 (7.24)	227 (8.93)	264 (10.3)	71 (2.79)	38 (1.49)	92 (3.62)	135 (5.31)	89 (3.50)	-	95 (3.74)	-
WIX-08F	1"	49 (1.92)	135 (5.31)	178 (7.00)	215 (8.46)	93 (3.66)	184 (7.24)	227 (8.93)	264 (10.3)	71 (2.79)	38 (1.49)	92 (3.62)	135 (5.31)	89 (3.50)	-	95 (3.74)	-
WIX-12AT	1 1/2"	77 (3.03)	167 (6.57)	230 (9.05)	286 (11.2)	127 (5.00)	244 (9.60)	307 (12.0)	363 (14.2)	61 (2.40)	38 (1.49)	284 (11.1)	165 (6.49)	146 (5.74)	45 (1.77)	171 (6.73)	-
WIX-12BT	1 1/2"	70 (2.75)	167 (6.57)	230 (9.05)	286 (11.2)	127 (5.00)	404 (15.9)	530 (20.8)	642 (25.2)	65 (2.55)	38 (1.49)	136 (5.35)	160 (6.29)	142 (5.59)	45 (1.77)	-	-



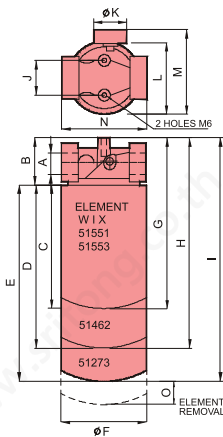
DIMENSIONS

MILLIMETERS(INCHES)

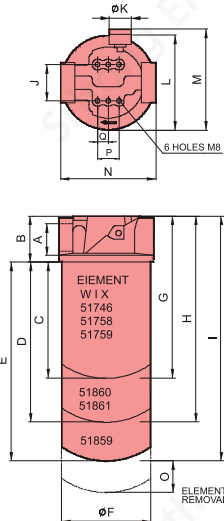
WIX Series Spin-On Return Filter



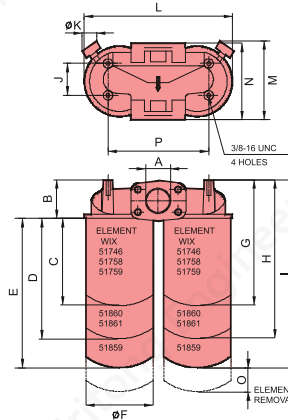
WIX-06(08)T



WIX-10T

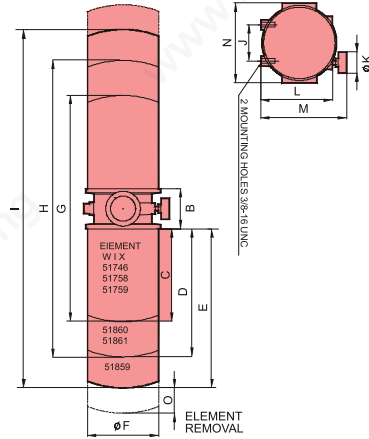


WIX-12AT



(TWIN-ELEMENT RL TYPE)

WIX-12BT



(TWIN-ELEMENT UD TYPE)

WIX Series Spin-On Filter Element



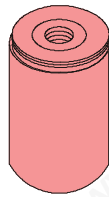
Ordering Code

WIX 51551

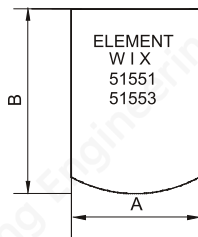
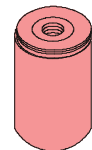
- Size
- 51551
- 51553
- 51462
- 51273
- 51746
- 51758
- 51759
- 51860
- 51861
- 51859

Series No.

WIX-ELEMENT



WIX-ELEMENT



Ratings

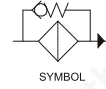
Series	PT (Rc)		φA mm (in)	B mm (in)	Filtration Micron	Flow lpm
wix-51551	06	08	93	135 (5.31)	10	60
wix-51553				135 (5.31)	33	70
wix-51462	3/4"	1"	(3.66)	178 (7.00)	25	90
wix-51273	10	12	127 (5.00)	210 (8.26)	10	120
wix-51746				174 (6.85)	5	130
wix-51758				174 (6.85)	25	160
wix-51759	1 1/4"	1 1/2"	(5.00)	174 (6.85)	10	144
wix-51860				230 (9.05)	10	172
wix-51861				230 (9.05)	25	185
wix-51859				286 (11.2)	5	200

FPF Series-Piping Type Return Filter

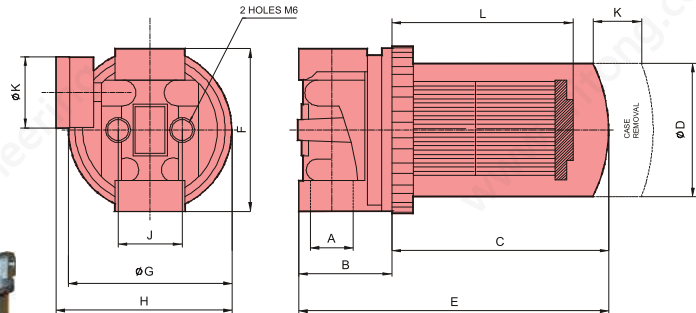
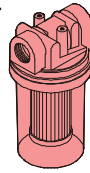
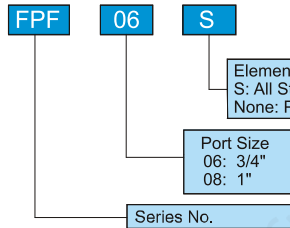
Threaded Connection: PT, BSP and NPT.

Port Size from 3/4" and 1"

Flow Rate: 70~110 lpm



Ordering Code



Ratings

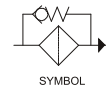
Series	φA PT (Rc)	B mm (in)	C mm (in)	D mm (in)	E mm (in)	F mm (in)	G mm (in)	H mm (in)	I mm (in)	J mm (in)	K mm (in)	ELEMENT		Flow lpm	Filtration	Max Pressure bar	Weight kg(lb)
												L mm (in)	M mm (in)				
FPF-06	3/4"	65 (2.55)	153 (6.02)	93 (3.66)	218 (8.58)	114 (4.48)	116 (4.56)	127 (5.00)	42 (1.65)	44 (1.73)	25 (.98)	122 (4.80)	70 (2.75)	70	Micron 10 μ~25 μ	10	1.34 (2.97)
FPF-08	1"													90			
FPF-06S	3/4"	90	Mesh 100-200														
FPF-08S	1"	110															

ERC Series-Tank Type Return Filter

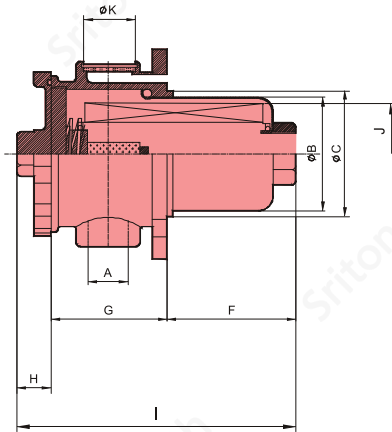
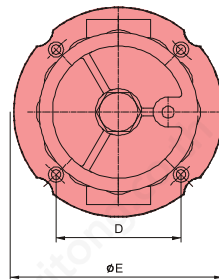
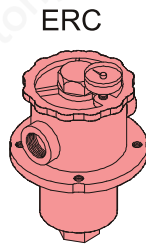
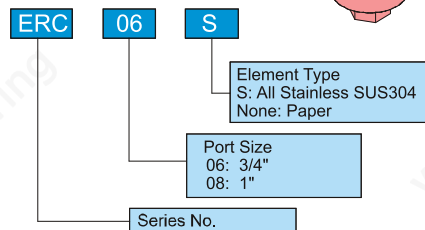
Threaded Connection: PT, BSP and NPT.

Port Size from 3/4" and 1"

Flow Rate: 70~110 lpm



Ordering Code



Ratings

Series	φA PT (Rc)	φB mm (in)	φC mm (in)	D mm (in)	φE mm (in)	F mm (in)	G mm (in)	H mm (in)	I mm (in)	J mm (in)	φK mm (in)	Flow lpm	Filtration	Max Pressure bar	Weight kg(lb)
ERC-06	3/4"	80 (3.14)	88 (3.46)	124 (4.88)	147 (5.78)	90 (3.54)	82 (3.22)	24 (.94)	196 (7.71)	70 (2.75)	36 (1.41)	70	Micron 10 μ~25 μ	20	1.8 (3.99)
ERC-08	1"											90			
ERC-06S	3/4"	90	Mesh 100-200												
ERC-08S	1"	110													