

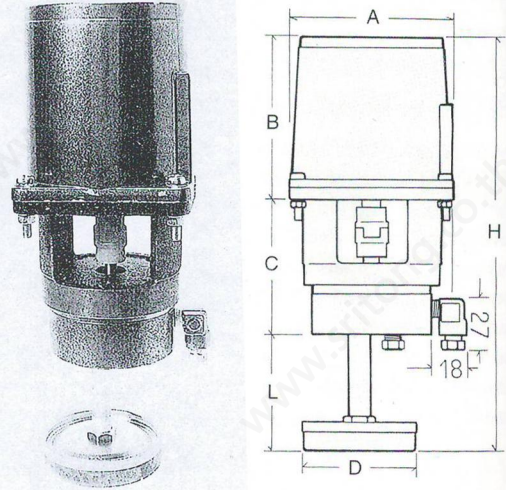
# 小型泵浦

## 14 電動連續給油泵浦 Electric Continued Pump TYPE:RGV-15, RGV-20

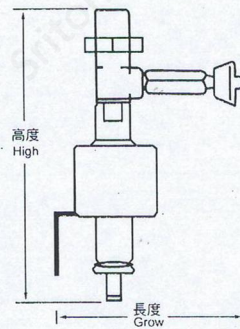
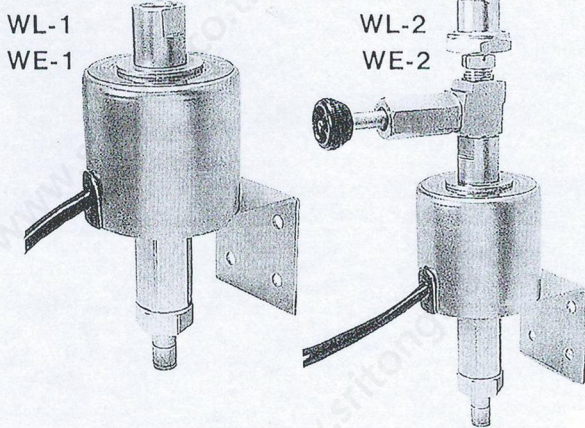
型式 TYPE	吐出量 Outlet	吐出壓力 Discharge Pressure	頻率 Hz	功率 Hz	吐出口徑 Outlet Dia.
RGV-15	200cc/min	0-10kg/cm <sup>2</sup>	50/60 Hz	15 W	1/8 PS
RGV-20	400cc/min	0-15kg/cm <sup>2</sup>	50/60 Hz	25 W	1/8 PS

\* 如果用連續式時，請選用 220V 三相馬達

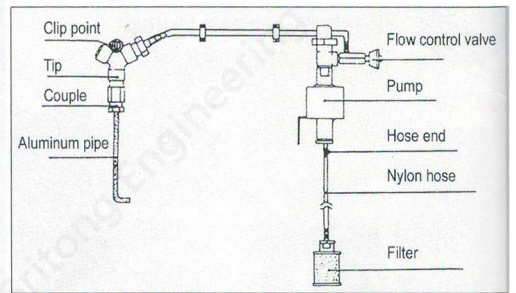
型式	A	B	C	D	H	L	重量
RGV-15	70	80	80	46	214	52	
RGV-20	80	85	86	62	235	64	



## 15 電磁泵浦 Riyuan Mark Zero Coolant Pump TYPE:WE-1, 2 / WL-1, 2



### Fitting method



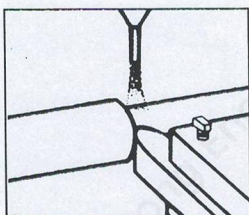
### 規格說明

- 專利設計：無需馬達而僅依電磁原理減少你50%電力的耗損，且體積小、佔用較少的空間。
- 專門設計：專門供小型車床、銑床、磨床、鑽床用。
- 壓力1kg/cm<sup>2</sup>以下流量與油的黏度成正比，即黏度愈稀其流量愈大。

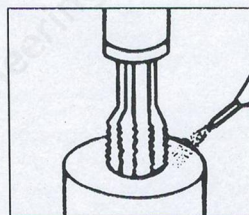
### Specifications :

- Patented design : No motor needed unique electro-magnetic power system coolant is pumped using vibratory action cost 50% less than conventional pumps takes up very little space easily protable.
- Designed for small lathes, grander, milla and drills.
- Pressure : Closed tip under 1kg/cm<sup>2</sup>. The flow rate of the oil or lubricant used is directly proportional to its density or adhesiveness.

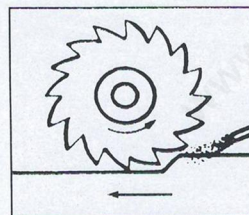
型式 Type	功率 Power	電源 Voltage	吸力 Absorbent	流量 //Min	長度 Grow/mm	高度 High/mm	重量 Wight/kg
WE-1	25 W	110 or 220V	1 ~ 1.5M	渦輪油 Turbineoil # 140-25 //h 機油 Machine Oil # 90-10 //h	84	148	0.90
WE-2	25 W	110 or 220V	1 ~ 1.5M	渦輪油 Turbineoil # 140-25 //h 機油 Machine Oil # 90-10 //h	129	192	1.10
WL-1	13 W	110 or 220V	1 ~ 1.5M	渦輪油 Turbineoil # 140-25 //h 機油 Machine Oil # 90-10 //h	53	113	0.32
WL-2	13 W	110 or 220V	1 ~ 1.5M	渦輪油 Turbineoil # 140-25 //h 機油 Machine Oil # 90-10 //h	98	150	0.42



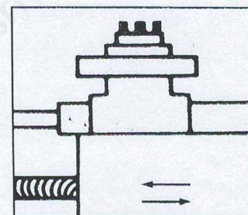
\* **LATHE**  
Cutting Oil  
supply  
車床



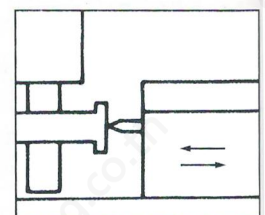
\* **DRILL \*TURBINE**  
Cutting Oil  
supply  
鑽床



\* **NC WORKING MACHINE**  
Slit face lubricant  
supply  
NC工作機



\* **MILLING**  
Cutting Oil  
supply  
鐵床



\* **GRINDER**  
Slit face lubricant  
supply  
磨床