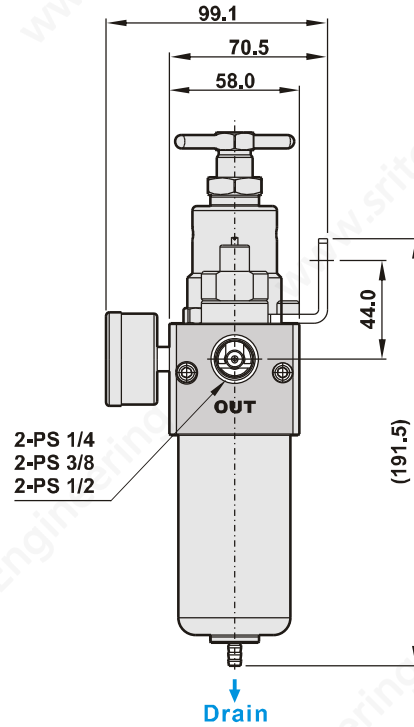
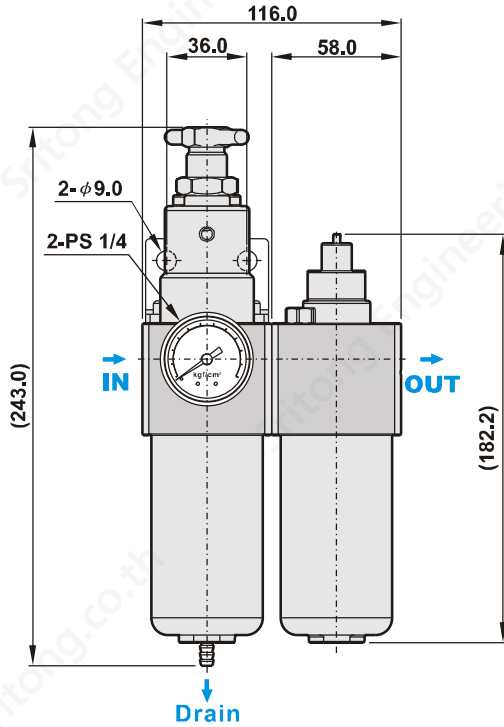
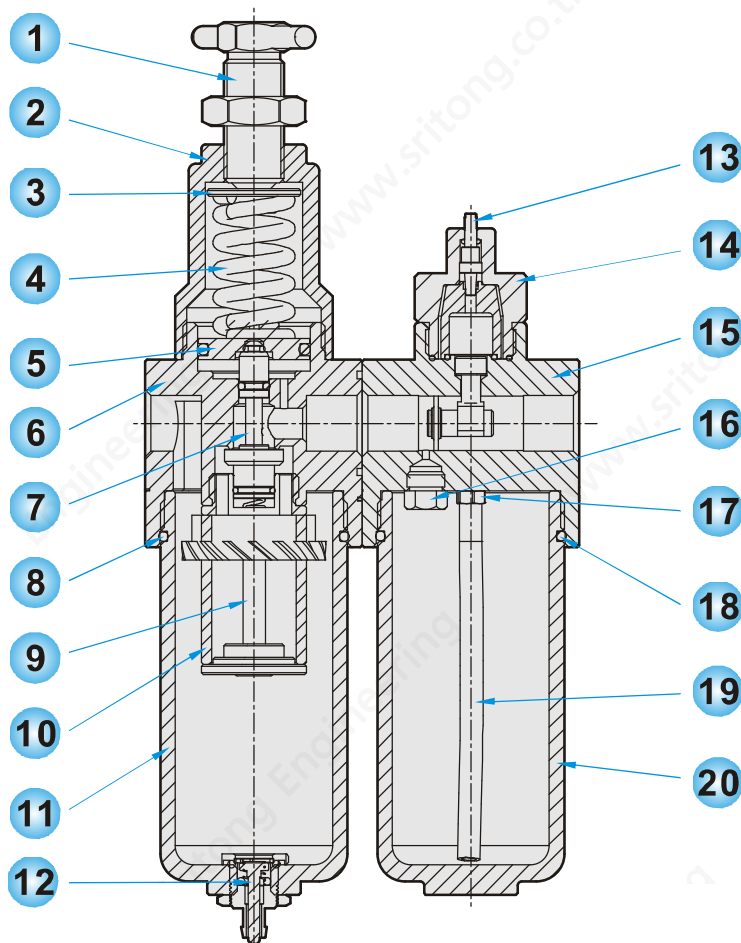


Dimensions

USFR/L-02, 03, 04

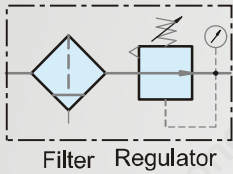


Construction



No.	Description	Material
1	Pressure regulating screw	SUS316
2	Regulator base	SUS316
3	Disc gasket	SUS303
4	Spring	SUS303
5	Piston	SUS303
6	Regulator body	SUS316
7	Pressure regulating needle	SUS303
8	O-ring	VITON
9	Filter element holder	SUS303
10	Filter element	SUS316
11	Filter bowl	SUS316
12	Drain	Cu+Ni
13	Oil adjusting screw	SUS316
14	Screw cover	SUS316
15	Lubricator body	SUS316
16	Plug	SUS316
17	Oil pipe fitting	SUS316
18	O-ring	VITON
19	Oil pipe	PU
20	Lubricator bowl	SUS316

Symbol



Features

- * For high pressure use, corrosion and chemical resistance.
- * Good performance in chemically working environments and outdoor facility.
- * Suitable for semi-conductor industry.
- * The product effectively removes water and particle.
- * Accurate and sensitive pressure setting.



Patent number in China :
ZL200620055734.0

How to order

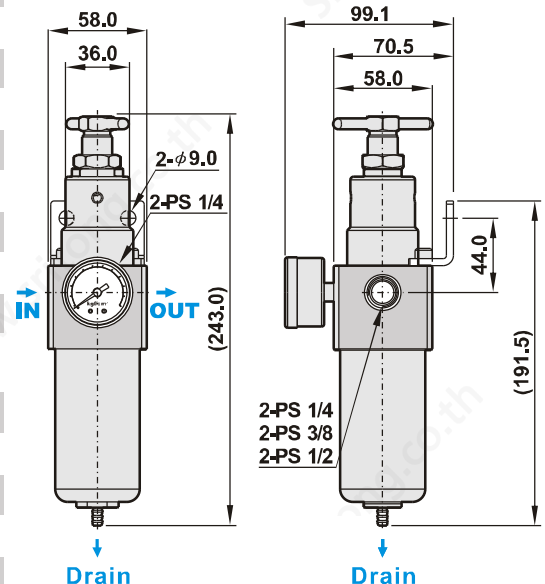
US	FR	04	N	C	H
SUS316 Stainless steel	Filter Regulator	Port size	Thread	Filtration	Drain
		02 1/4" (Option)	Blank PS	Blank 5 μm	Blank Semi-auto drain
		03 3/8"	N NPT	C 40 μm	H Manual drain
		04 1/2"			D Auto drain

Specifications

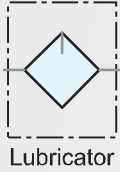
Model	USFR-02	USFR-03	USFR-04
Port size	1/4" (Option)	3/8"	1/2"
Fluid	Compressed air		
Regulator construction	Piston		
Body material	Stainless steel SUS316		
Bowl material	Stainless steel SUS316		
Pressure gauge material	Case: Stainless steel SUS304, Thread: Stainless steel SUS316		
Filtration/Element material	5 μm (Standard) Stainless steel SUS316		
Operating pressure range	0.5 ~ 30 kgf/cm ² (Max)		
Max. inlet pressure	60 kgf/cm ²		
Max. flow rate l/min (6kgf/cm ²)	2200	2500	3800
Ambient temperature	-10°C ~ 70°C		
Filter bowl capacity	110cc		
Standard drain	Semi-auto drain (Drains below 0.5kgf/cm ²)		
Net weight	2000g		
Accessories	Pressure gauge, Mounting bracket, Plug, Screw x 2		

Dimensions

USFR-02, 03, 04



Symbol



Features

- * For high pressure use, corrosion and chemical resistance.
- * Good performance in chemically working environments and outdoor facility.
- * Lubricator oil can be replenished without stopping air supply.
- * Oil spray in mist ensures good lubrication for machines.



Patent number in China :
ZL200620055734.0

How to order

US

SUS316
Stainless steel

L

Lubricator

04

Port size

02	1/4" (Option)
03	3/8"
04	1/2"

N

Thread

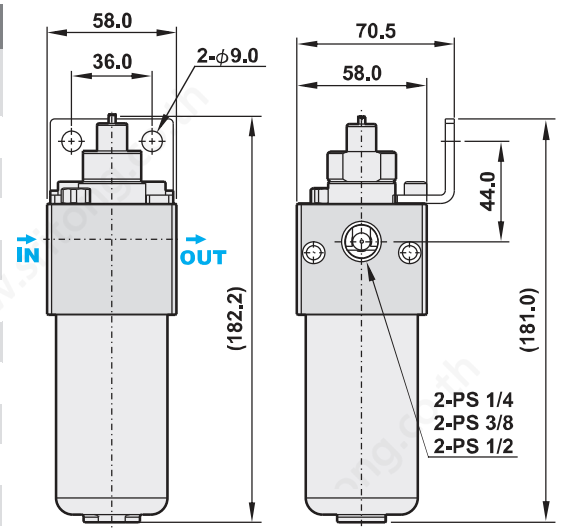
Blank	PS
N	NPT

Specifications

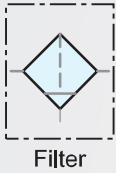
Model	USL-02	USL-03	USL-04
Port size	1/4" (Option)	3/8"	1/2"
Fluid	Compressed air		
Body material	Stainless steel SUS316		
Bowl material	Stainless steel SUS316		
Operating pressure range	0.5 ~ 30 kgf/cm ² (Max)		
Max. inlet pressure	60 kgf/cm ²		
Max. flow rate l/min (6kgf/cm ²)	2500	2525	4100
Ambient temperature	-10°C ~ 70°C		
Lubricator oil (Recommended)	ISO-VG32		
Lubricator bowl capacity	130cc		
Net weight	1750g		
Accessories	Mounting bracket, Screw x 2		

Dimensions

USL-02, 03, 04



Symbol



Features

- * For high pressure use, corrosion and chemical resistance.
- * Good performance in chemically working environments and outdoor facility.
- * Suitable for semi-conductor industry.
- * The product effectively removes water and particle.
- * Strict quality control.



How to order

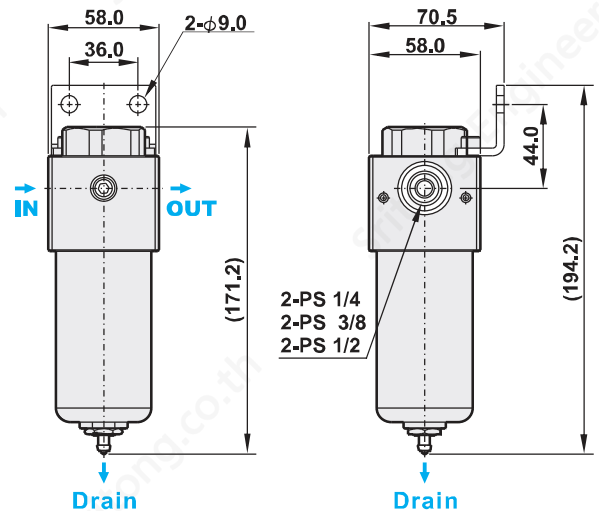
US	F	O4	N	C	H
SUS316 Stainless steel	Filter	Port size	Thread	Filtration	Drain
		02 1/4" (Option) 03 3/8" 04 1/2"	Blank PS N NPT	Blank 5µm C 40µm	Blank Semi-auto drain H Manual drain D Auto drain

Specifications

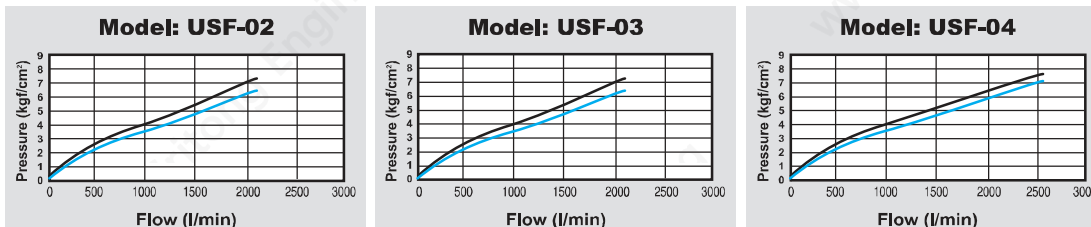
Model	USF-02	USF-03	USF-04
Port size	1/4"(Option)	3/8"	1/2"
Fluid	Compressed air		
Body material	Stainless steel SUS316		
Bowl material	Stainless steel SUS316		
Filter element material	Stainless steel SUS316		
Filtration	5µm (Standard) , 40µm (Option)		
Operating pressure range	0.5 ~ 30 kgf/cm ²		
Max. inlet pressure	60 kgf/cm ²		
Max. flow rate l/min (6kgf/cm ²)	2440	2450	3030
Ambient temperature	-10°C ~ 70°C		
Filter bowl capacity	110cc		
Standard drain	Semi-auto drain (Drains below 0.5kgf/cm ²)		
Net weight	1650 g		
Accessories	Mounting bracket, Screw x 2		

Dimensions

USF-02, 03, 04



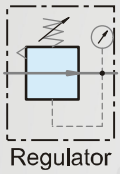
Flow chart



Note:

X axis: Flow
 Y axis: Pressure
 Blue line (P0) = Outlet pressure
 Black line (P1) = Inlet pressure
 P1-P0 = Pressure range

Symbol



Features

- * For high pressure use, corrosion and chemical resistance.
- * Good performance in chemically working environments and outdoor facility.
- * Suitable for semi-conductor industry.
- * Accurate and sensitive pressure setting.
- * Strict quality control.



How to order

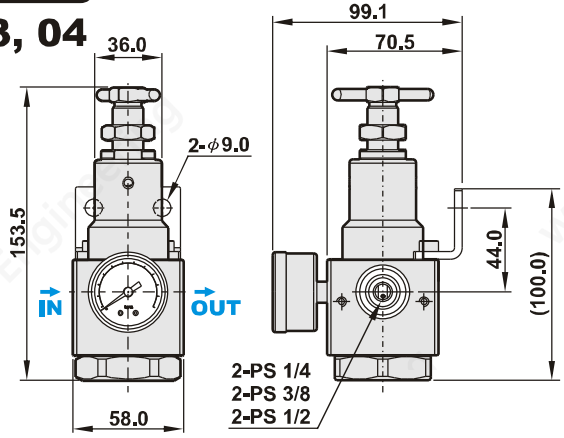
US	R	-	04	N
SUS316 Stainless steel	Regulator		Port size	Thread
			02 1/4" (Option)	Blank PS
			03 3/8"	N NPT
			04 1/2"	

Specifications

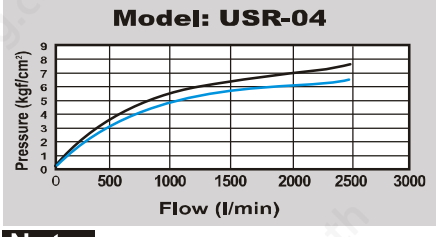
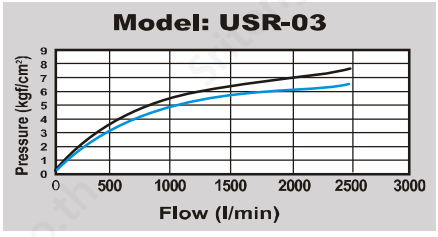
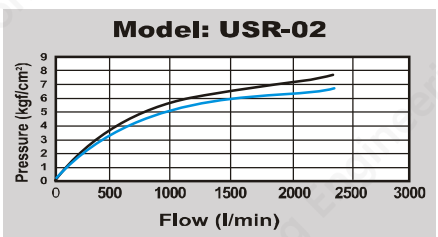
Model	USR-02	USR-03	USR-04
Port size	1/4" [Option]	3/8"	1/2"
Fluid	Compressed air		
Regulator construction	Piston		
Body material	Stainless steel SUS316		
Pressure gauge material	Case: Stainless steel SUS304, Thread: Stainless steel SUS316		
Operating pressure range	0.5 ~ 30 kgf/cm ²		
Max. inlet pressure	60 kgf/cm ²		
Max. flow rate l/min (6kgf/cm ²)	1950	2250	2520
Ambient temperature	-10°C ~ 70°C		
Net weight	1400g		
Accessories	Pressure gauge, Mounting bracket, Plug, Screw x 2		

Dimensions

USR-02, 03, 04

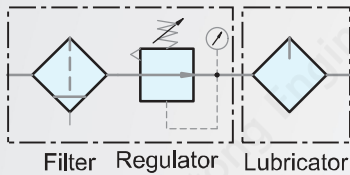


Flow chart



Note:
 X axis: Flow
 Y axis: Pressure
 Blue line (P0) = Outlet pressure
 Black line (P1) = Inlet pressure
 P1-P0 = Pressure range

Symbol



Features

- * For high pressure use, corrosion and chemical resistance.
- * Good performance in chemically working environments and outdoor facility.
- * Suitable for semi-conductor industry.
- * Large flow rate and effectively removes water and particle.
- * Accurate and sensitive pressure setting.
- * Lubricator oil can be replenished without stopping air supply.
- * Oil spray in mist ensures good lubrication for machines.



How to order

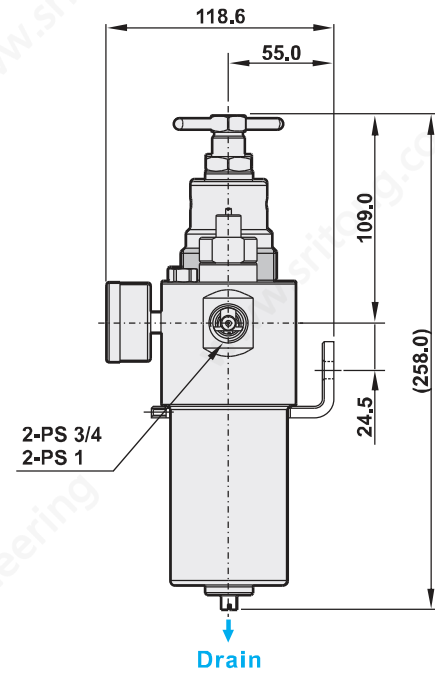
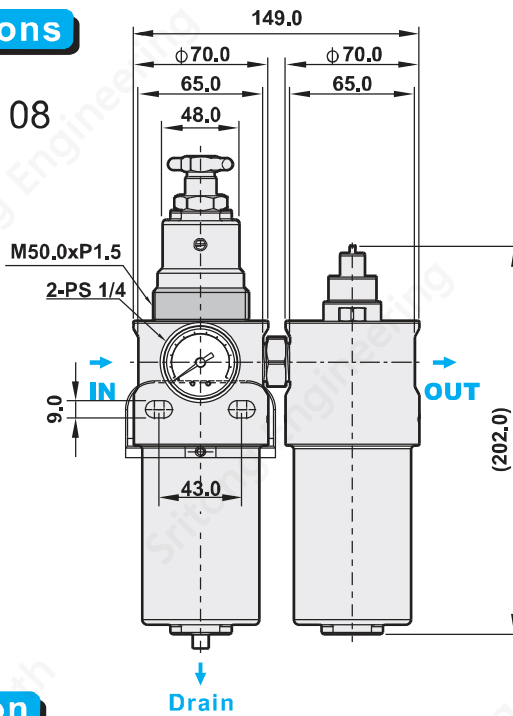
US	FR/L	C - 06	N	C	H	
SUS316 Stainless steel	Filter Regulator+Lubricator	Series	Port size	Thread	Filtration	Drain
		C Series	06 3/4" 08 1"	Blank PS N NPT	Blank 5µm C 40µm	H Manual drain

Specifications

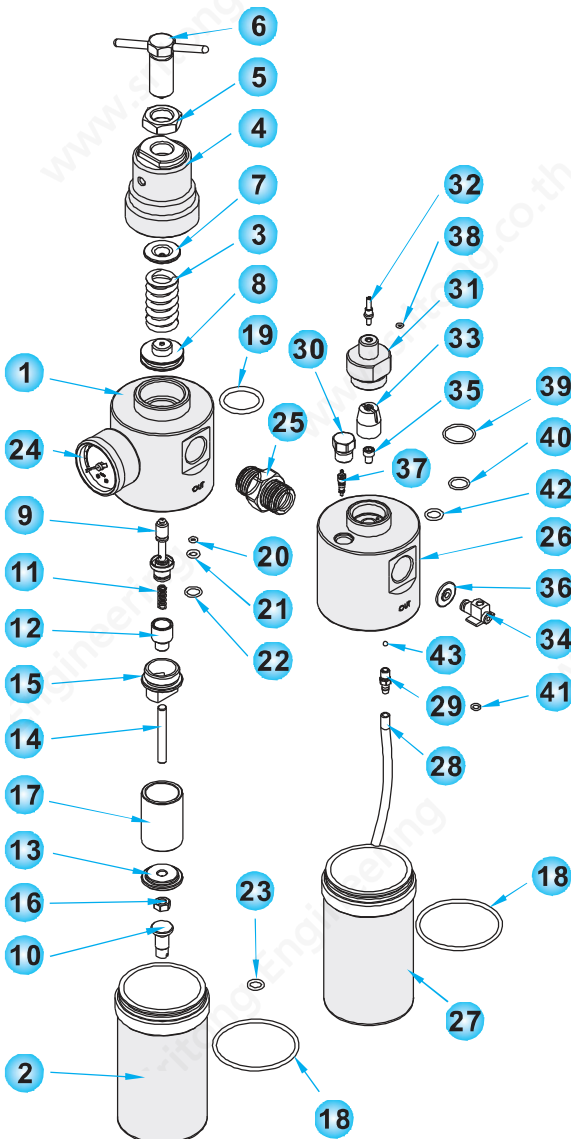
Model	USFR/LC-06	USFR/LC-08
Port size	3/4"	1"
Fluid	Compressed air	
Regulator construction	Piston	
Body material	Stainless steel SUS316	
Bowl material	Stainless steel SUS316	
Pressure gauge material	Case: Stainless steel SUS304, Thread: Stainless steel SUS316	
Filtration/Element material	5µm (Standard) Stainless steel SUS316	
Operating pressure range	0.5 ~ 30 kgf/cm ²	
Max. inlet pressure	60 kgf/cm ²	
Max. flow rate l/min (6kgf/cm ²)	7250	7600
Ambient temperature	-10°C ~ 70°C	
Lubricator oil (Recommended)	ISO-VG32	
Nipple size and material	1/2" SUS316	
Filter bowl capacity	200cc	
Lubricator bowl capacity	220cc	
Standard drain	Manual drain	
Net weight	5500g	
Accessories	Pressure gauge, Plug, Mounting bracket	

Dimensions

USFR/LC-06, 08



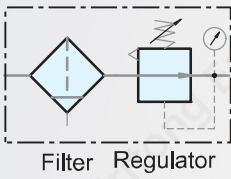
Explosion



No.	Description	Material
1	Filter Regulator body	SUS316
2	Filter bowl	SUS316
3	Pressure regulating spring	SUS304
4	Stainless steel regulator base	SUS316
5	Nut	SUS316
6	Pressure regulating screw	SUS316
7	Disc gasket	SUS316
8	Piston	SUS316
9	Pressure regulating needle	SUS316
10	Manual drain	SUS316
11	Spring	SUS304
12	Needle holder	SUS316
13	Plate	SUS316
14	Bolt	SUS316
15	Spring holder	SUS316
16	Nut	SUS316
17	Filter element	SUS316
18	O-ring	VITON
19	O-ring	VITON
20	O-ring	VITON
21	O-ring	VITON
22	O-ring	VITON
23	O-ring	VITON
24	Pressure gauge	Stainless Steel
25	Nipple	Stainless Steel
26	Lubricator body	SUS316
27	Lubricator bowl	SUS316
28	Oil pipe	PU
29	Oil pipe fitting	SUS316
30	Oil filling plug	SUS316
31	Oil adjusting knob	SUS316
32	Oil adjusting screw	SUS316
33	Oil dropping orifice	SUS316
34	Oil spraying orifice	SUS316
35	Screw	SUS316
36	Damper	VITON
37	Check valve	Stainless Steel
38	O-ring	VITON
39	O-ring	VITON
40	O-ring	VITON
41	O-ring	VITON
42	O-ring	VITON
43	Steel ball 3mm	SUS316

No.	Description	Material
23	O-ring	VITON
24	Pressure gauge	Stainless Steel
25	Nipple	Stainless Steel
26	Lubricator body	SUS316
27	Lubricator bowl	SUS316
28	Oil pipe	PU
29	Oil pipe fitting	SUS316
30	Oil filling plug	SUS316
31	Oil adjusting knob	SUS316
32	Oil adjusting screw	SUS316
33	Oil dropping orifice	SUS316
34	Oil spraying orifice	SUS316
35	Screw	SUS316
36	Damper	VITON
37	Check valve	Stainless Steel
38	O-ring	VITON
39	O-ring	VITON
40	O-ring	VITON
41	O-ring	VITON
42	O-ring	VITON
43	Steel ball 3mm	SUS316

Symbol



Features

- * For high pressure use, corrosion and chemical resistance.
- * Good performance in chemically working environments and outdoor facility.
- * Suitable for semi-conductor industry.
- * Large flow rate and effectively removes water and particle.
- * Accurate and sensitive pressure setting.



How to order

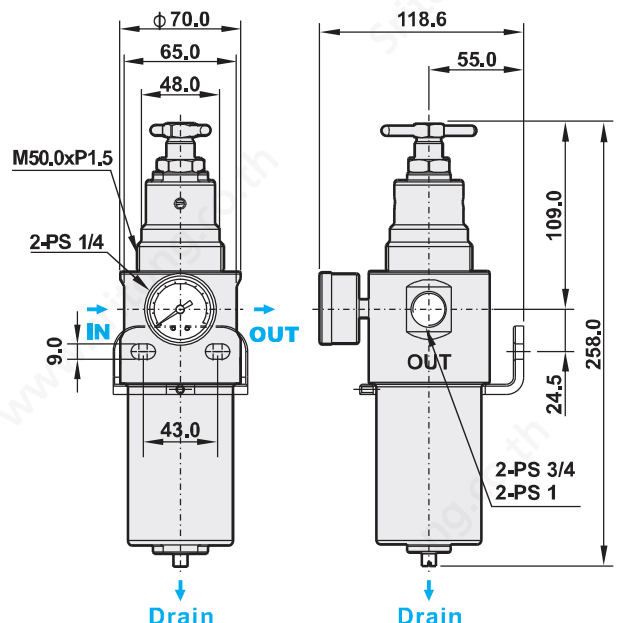
US	FRC	06	N	C	H
SUS316 Stainless steel	Filter Regulator	Port size	Thread	Filtration	Drain
		06 3/4" 08 1"	Blank PS N NPT	Blank 5 μm C 40 μm	H Manual drain

Specifications

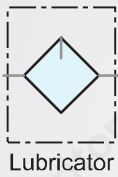
Model	USFRC-06	USFRC-08
Port size	3/4"	1"
Fluid	Compressed air	
Regulator construction	Piston	
Body material	Stainless steel SUS316	
Bowl material	Stainless steel SUS316	
Pressure gauge material	Case: Stainless steel SUS304, Thread: Stainless steel SUS316	
Filtration/Element material	5 μm (Standard) Stainless steel SUS316	
Operating pressure range	0.5 ~ 30 kgf/cm ²	
Max. inlet pressure	60 kgf/cm ²	
Max. flow rate l/min (6kgf/cm ²)	7250	7650
Ambient temperature	-10°C ~ 70°C	
Filter bowl capacity	200cc	
Standard drain	Manual drain	
Net weight	3000g	
Accessories	Pressure gauge, Plug, Mounting bracket	

Dimensions

USFRC-06, 08



Symbol



Features

- * For high pressure use, corrosion and chemical resistance.
- * Good performance in chemically working environments and outdoor facility.
- * Suitable for semi-conductor industry.
- * Lubricator oil can be replenished without stopping air supply.
- * Oil spray in mist ensures good lubrication for machines.



How to order

US	LC	—	06	N
SUS316 Stainless steel	Lubricator		Port size	Thread
			06 3/4" 08 1"	Blank PS N NPT

Specifications

Model	USLC-06	USLC-08
Port size	3/4"	1"
Fluid	Compressed air	
Body material	Stainless steel SUS316	
Bowl material	Stainless steel SUS316	
Operating pressure range	0.5 ~ 60 kgf/cm ²	
Lubricator bowl capacity	200cc	
Max. inlet pressure	70 kgf/cm ²	
Max. flow rate l/min (6kgf/cm ²)	7250	7650
Lubricator oil (Recommended)	ISO-VG32	
Ambient temperature	-10°C ~ 70°C	
Net weight	2500g	

Dimensions

USLC-06, 08

