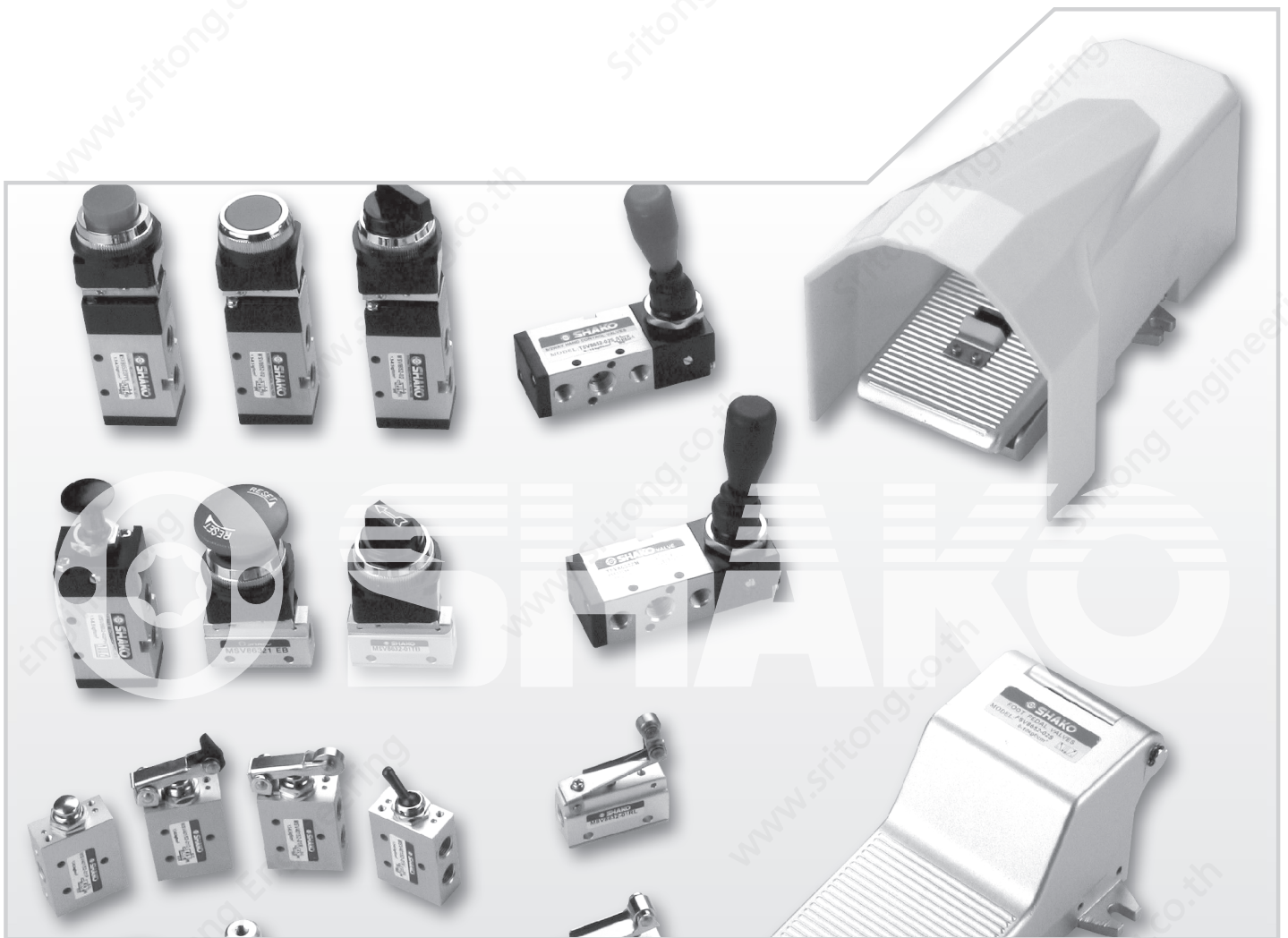
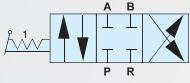


MECHANICAL VALVES

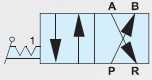


Symbol

TSV30043



TSV30042



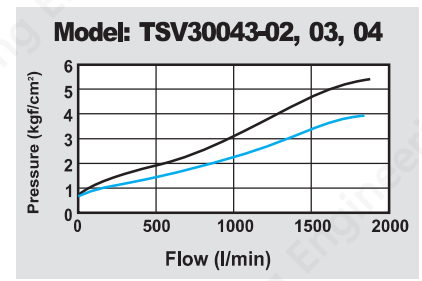
Features

- * Simply operating.
- * Large flow rate.
- * High safety.
- * Light weight.
- * 4 kinds of installation.
- * Cock design for safety operation.

How to order

TSV30043		02	N	B
Rotary valves		Port size	Thread	Valve type
TSV30043	4/3 way	02 1/4"	Blank PS	Blank Standard
TSV30042	4/2 way	03 3/8"	N NPT	B Ports on bottom
		04 1/2"		C With cock device
				P With panel mounting

Flow chart

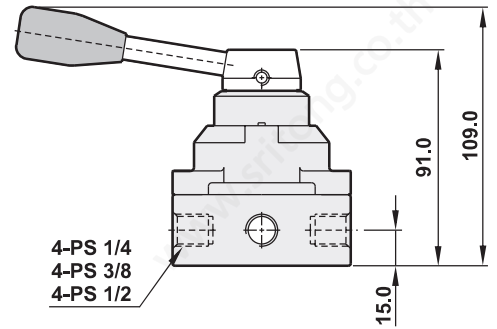
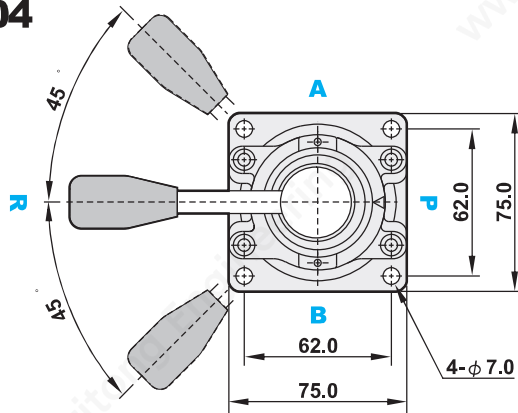


Specifications

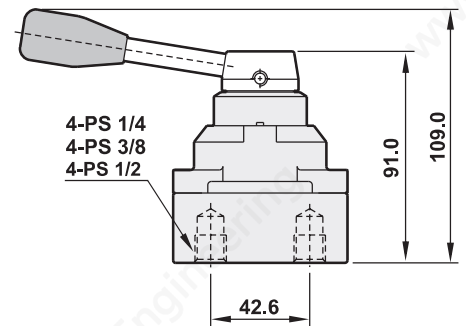
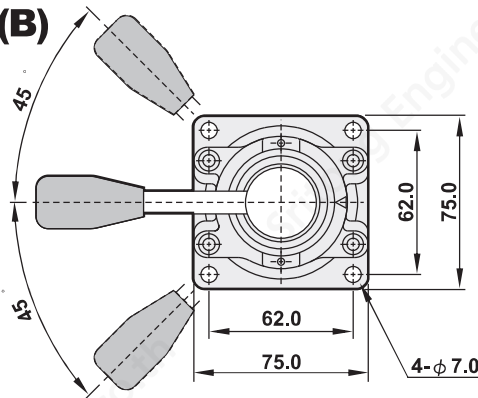
Model	TSV30043(2)-02	TSV30043(2)-03	TSV30043(2)-04
Port size	1/4"	3/8"	1/2"
Body material	Aluminum alloy		
Panel dimension	M40 x P1.5 (For panel mounting only)		
Fluid	Compressed air		
Sectional area	18mm ²		
Operating pressure range	0 ~ 9 kgf/cm ²		
Max. operating pressure	10kgf/cm ²		
Ambient temperature	-10°C ~ 60°C		
Net weight	600g	580g	560g

Dimensions

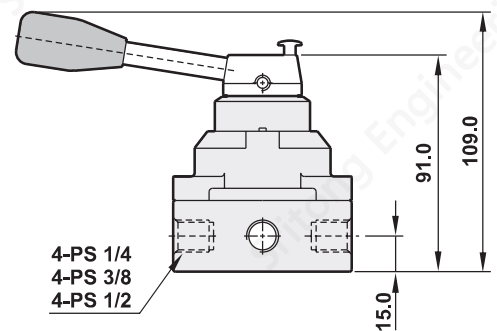
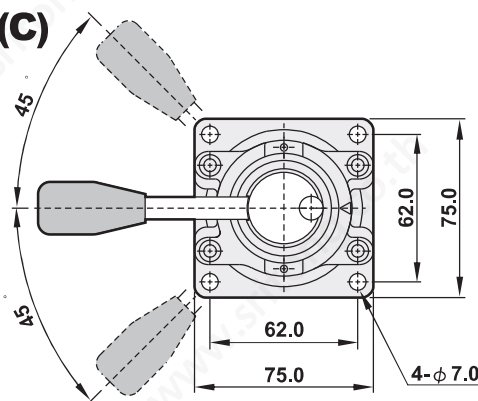
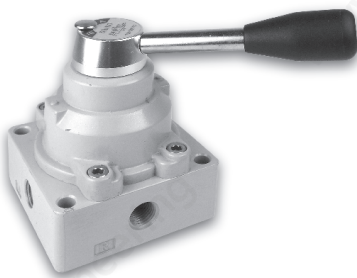
TSV30043-02,03,04



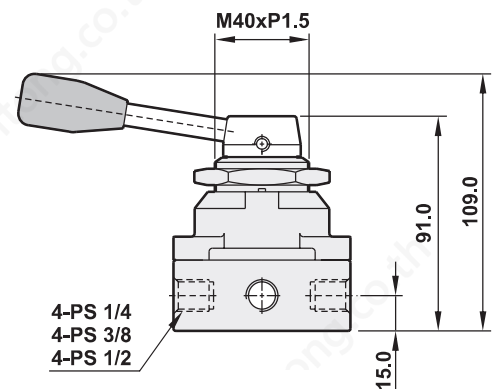
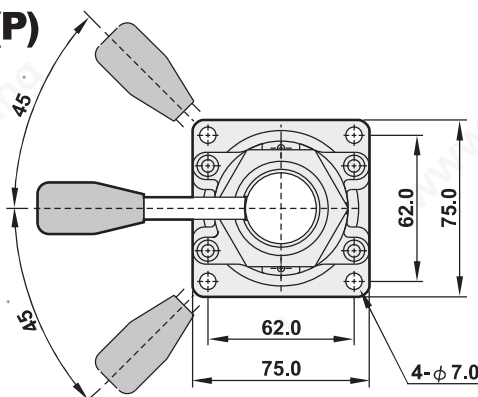
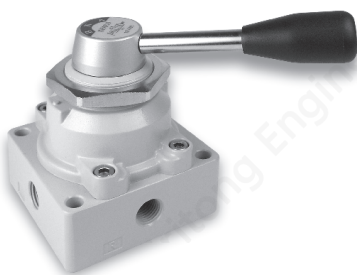
TSV30043-02,03,04(B)



TSV30043-02,03,04(C)



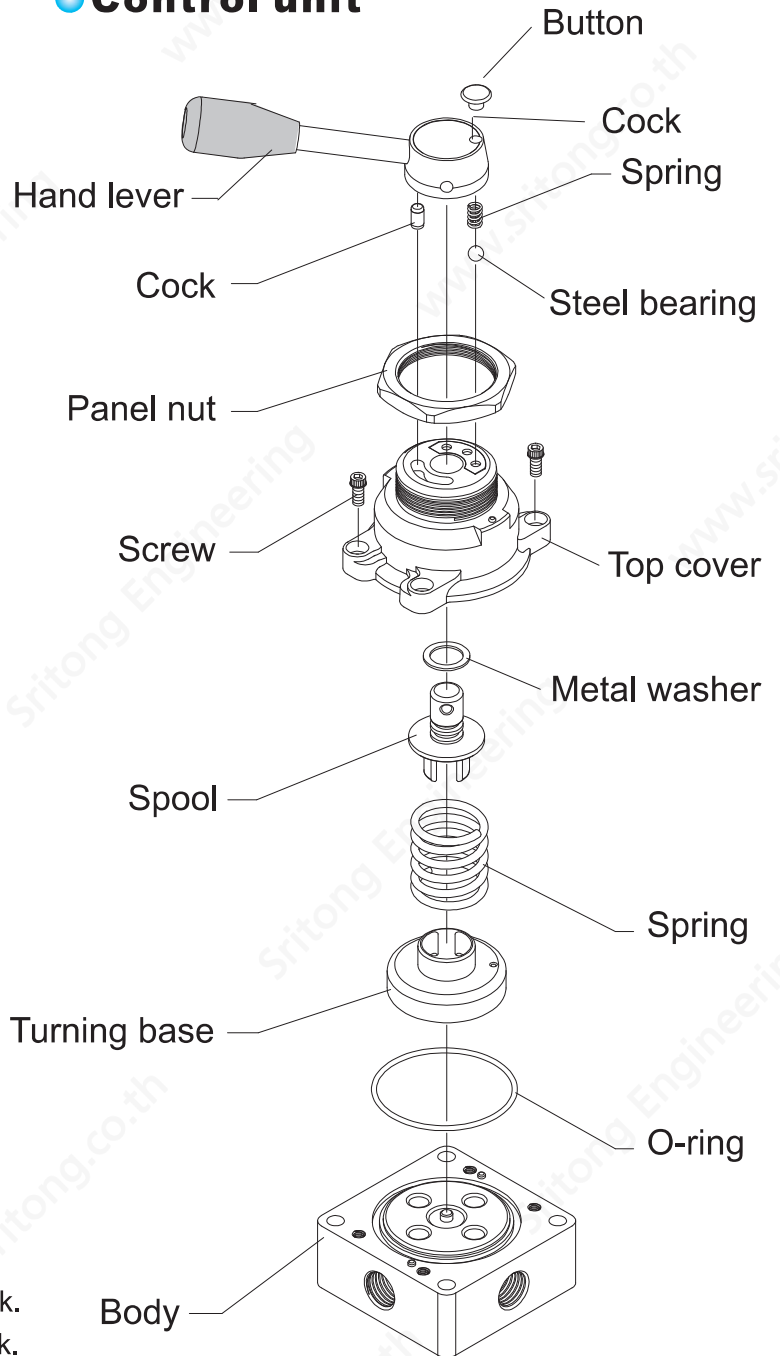
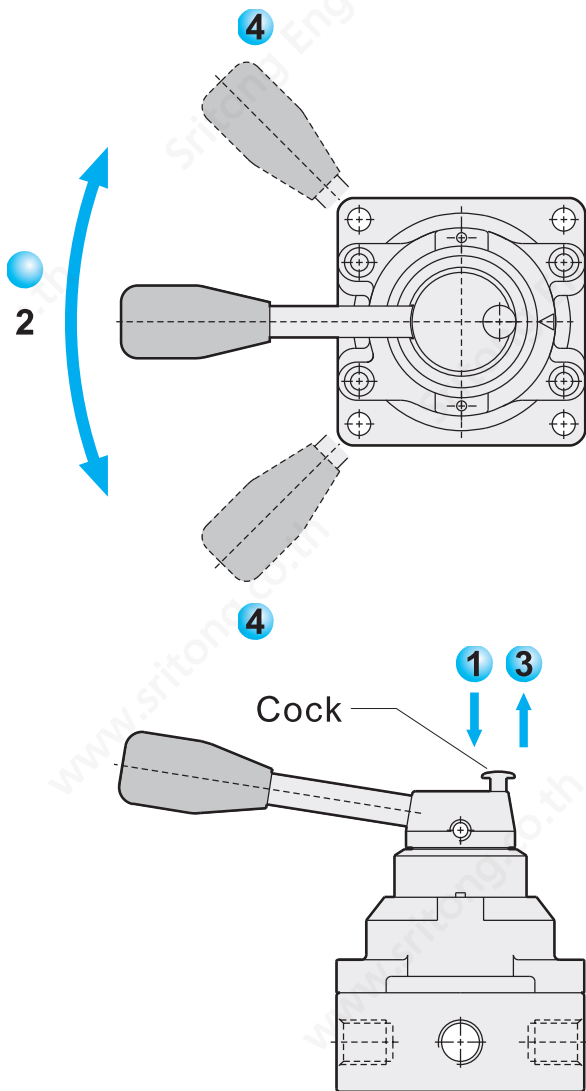
TSV30043-02,03,04(P)



Explosion

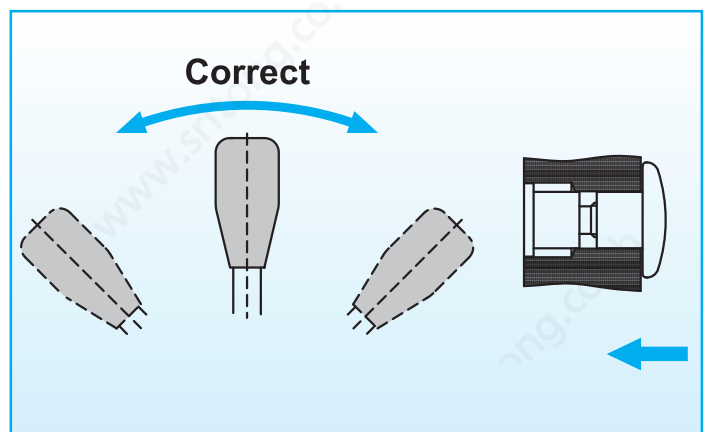
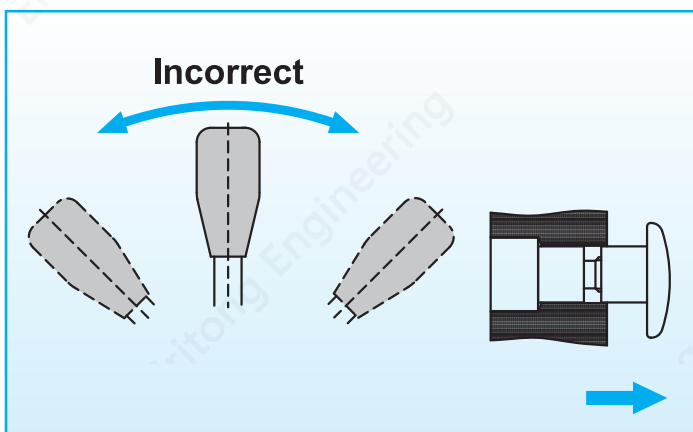
Operating steps TSV30043 C

Control unit



Operating steps

1. Push the cock down.
2. Turn lever to the left or right.
3. Lift your hand to release cock, the cock bound back.
4. Please do not turn lever when the cock bound back.

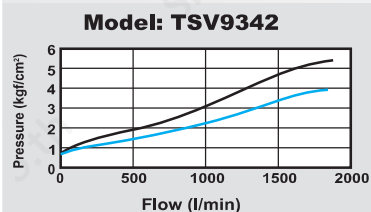


Features

- * Simply operating.
- * Large flow rate.
- * High safety.
- * Teflon wear ring and rubber seal offer stable quality and long life.

* Stainless steel SUS316 body for corrosion resistance

Flow chart



Patent number in Taiwan : 23613
 Patent number in China : ZL200420019531.72
 Patent category : Pressure regulating constructions

How to order

TSV9342

02

N

Stainless steel rotary valves

Port size

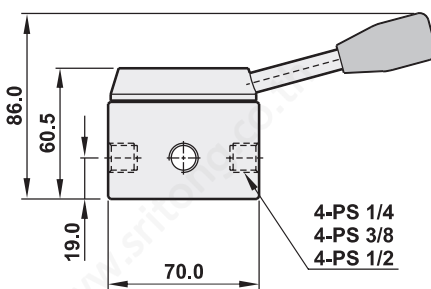
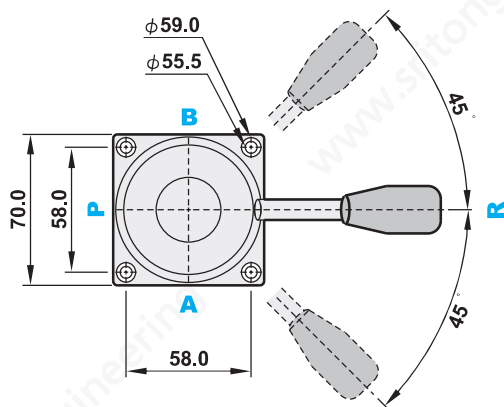
Thread

43	4/3 way
42	4/2 way

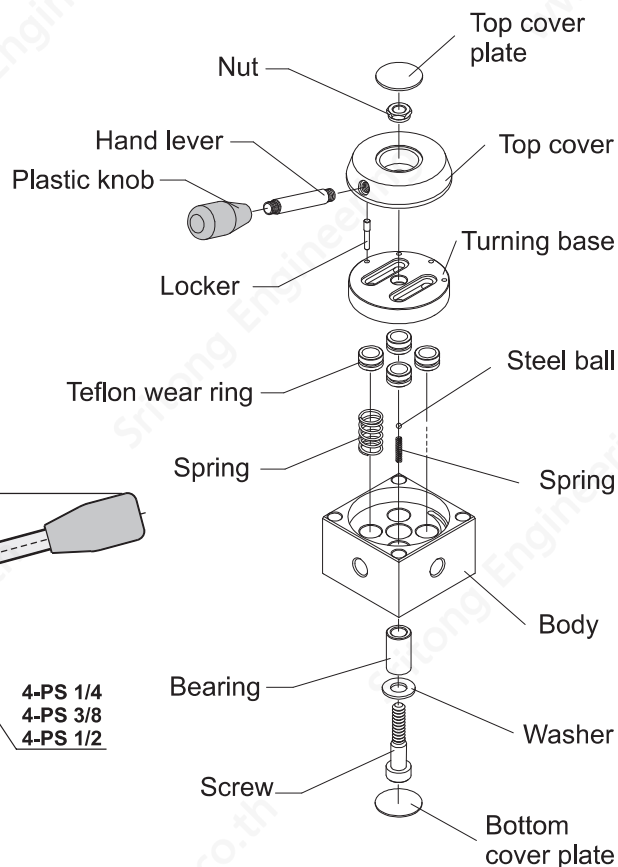
02	1/4"
03	3/8"
04	1/2"

Blank	PS
N	NPT

Dimensions



Explosion



Specifications

Model	TSV9342(43)-02	TSV9342(43)-03	TSV9342(43)-04
Port size	1/4"	3/8"	1/2"
Body material	Satinless steel SUS316		
Fluid	Compressed air		
Sectional area	18mm ²		
Operating pressure range	0 ~ 9.9 kgf/cm ²		
Max. operating pressure	10 kgf/cm ²		
Ambient temperature	-10°C ~ 60°C		
Net weight	1800g		

Features

- * Simply operating.
- * Large flow rate.
- * Suitable for vacuum operation.
- * Available for panel mounting.

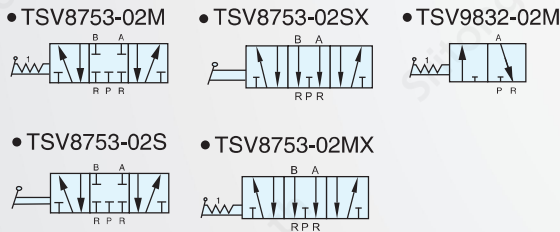
TSV9832-02M



TSV8753-02S



Symbol



TSV8753-02M

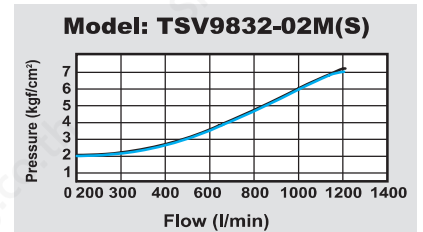
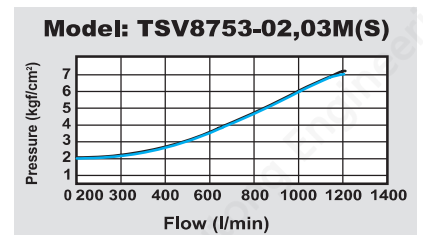


How to order

TSV8753		02		N		M		F	
Rotary valves		Port size		Thread		Acting		Mounting bracket	
53	5/3 way	02	1/4"	Blank	PS	S	Spring return (For 1/4" port only)	Blank	W/O bracket
		03	3/8"	N	NPT	M	Detent		
						SX	Exhaust center, Spring return (For 1/4" port only)		
						MX	Exhaust center, Detent		

TSV9832		02		N		M	
Rotary valves		Port size		Thread		Acting	
32	3/2 way	02	1/4"	Blank	PS	M	Detent
				N	NPT	S	Spring return

Flow chart

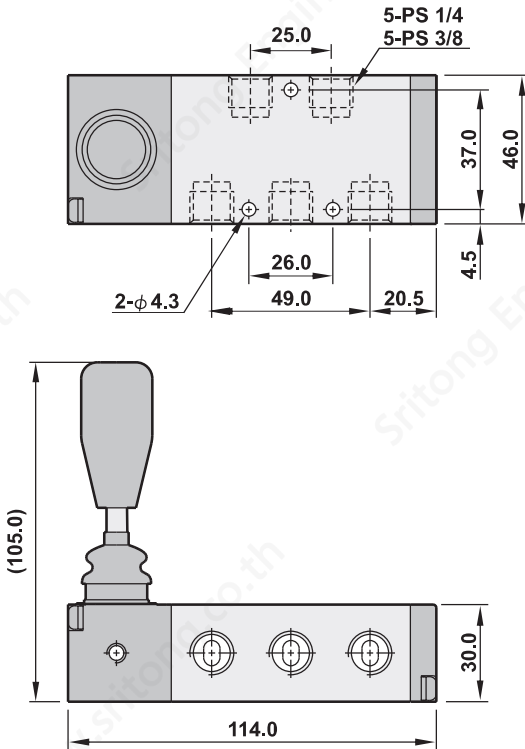


Specifications

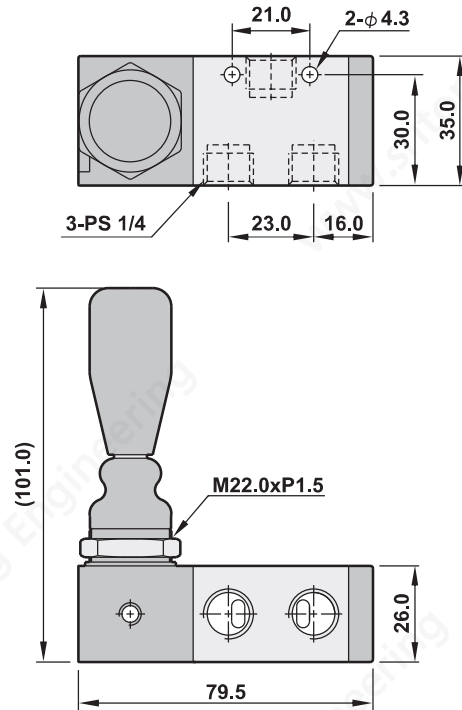
Model	TSV8753-02M(S)	TSV8753-03M	TSV9832-02M(S)
Port size	1/4"	3/8"	1/4"
Body material		Aluminum alloy	
Fluid		Compressed air	
Sectional area	18mm ²	35mm ²	18mm ²
Operating pressure range		0 ~ 9 kgf/cm ²	
Max. operating pressure		10 kgf/cm ²	
Ambient temperature		-10°C ~ 60°C	

Dimensions

TSV8753-02, 03



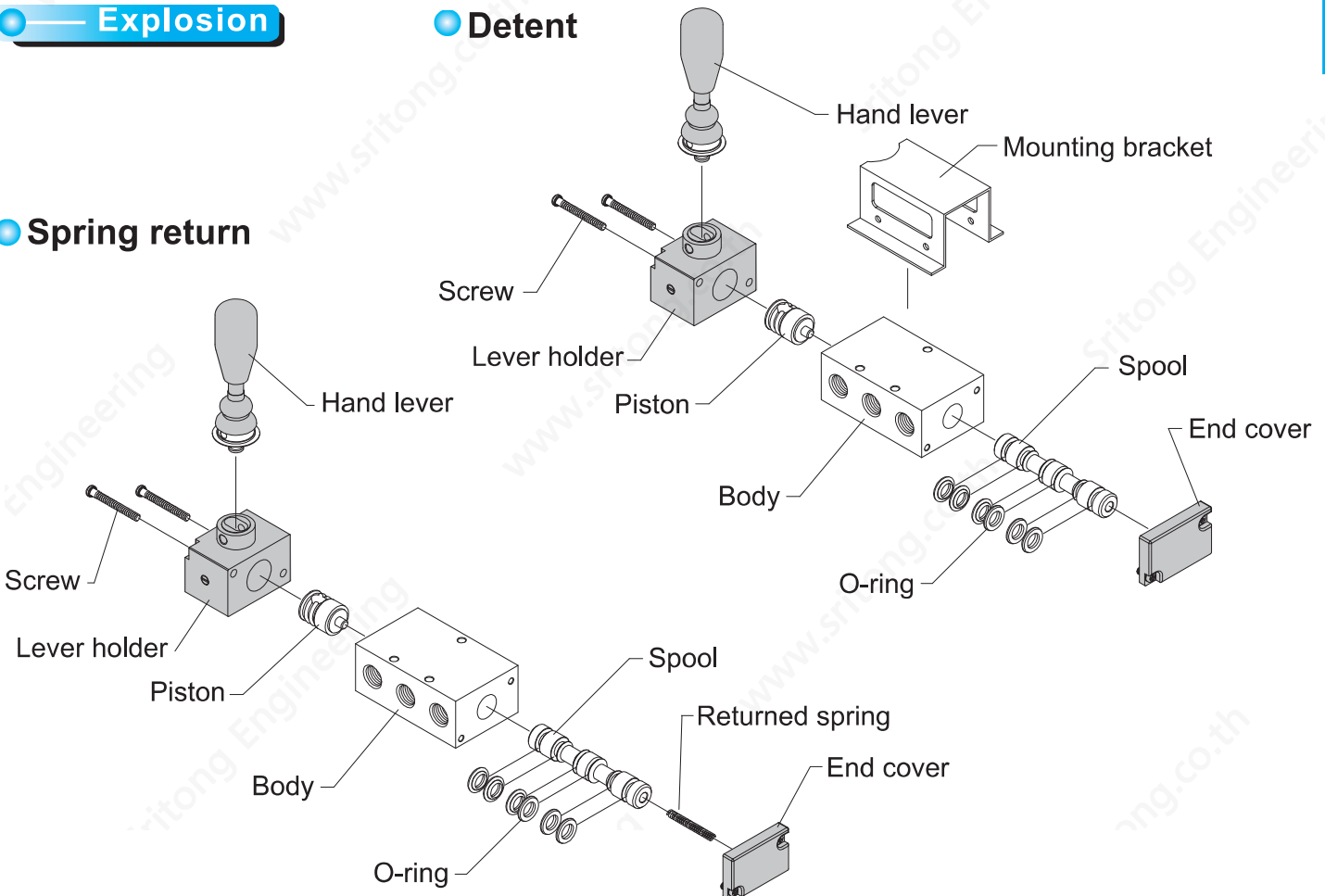
TSV9832-02



Explosion

Detent

Spring return



MECHANICAL VALVES

Features

- * Simply operating.
- * Suitable for vacuum operation.
- * Available for panel mounting.
- * Mounting bracket as optional accessory.
- * TSV8652R-01/02 for manifold assembly.

Symbol

- TSV8652 M



- TSV8652 S



TSV8652R-02M



How to order

TSV8652

R

-

02

N

M

F

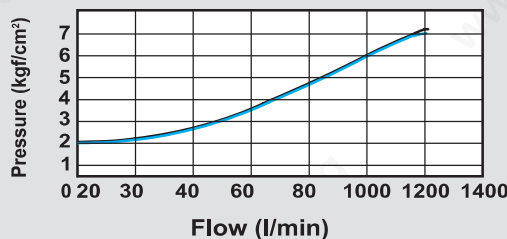
Hand control valves		Manifold		Port size		Thread		Acting		Mounting bracket	
52	5/2 way	Blank	Standard	01	1/8"	Blank	PS	S	Spring return	Blank	W/O bracket
		R	Manifold type	02	1/4"	N	NPT	M	Detent	F	W/I mounting bracket
				03	3/8"						For 1/8", 1/4" only.

Specifications

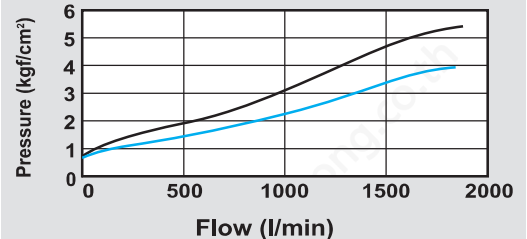
Model	TSV8652(R)-01M(S)	TSV8652(R)-02M(S)	TSV8652-03M(S)
Port size	1/8"	1/4"	3/8"
Body material	Aluminum alloy		
Fluid	Compressed air		
Sectional area	18mm ²	18mm ²	35mm ²
Operating pressure range	0 ~ 9 kgf/cm ²		
Max. operating pressure	10 kgf/cm ²		
Ambient temperature	-10°C ~ 60°C		
R type	For 1/8", 1/4" port only		

Flow chart

Model: TSV8652-01, 02M(S)

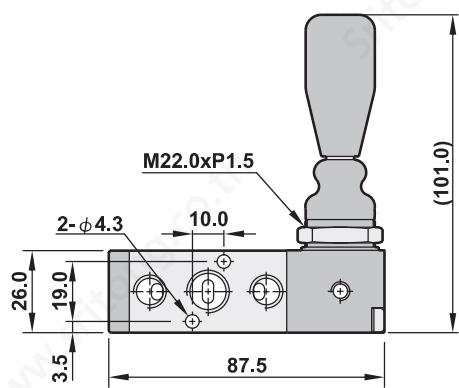
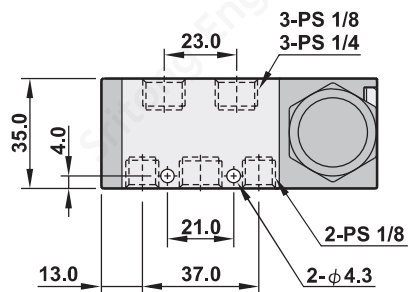


Model: TSV8652-03M(S)

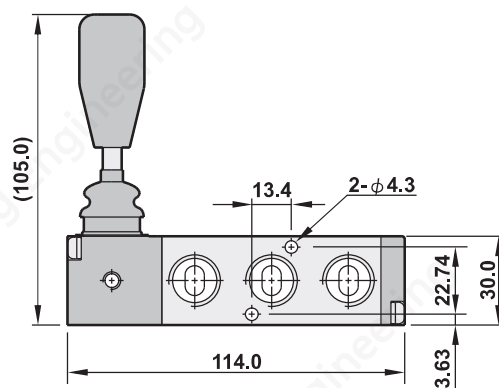
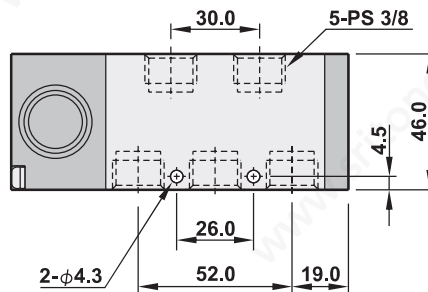


Dimensions

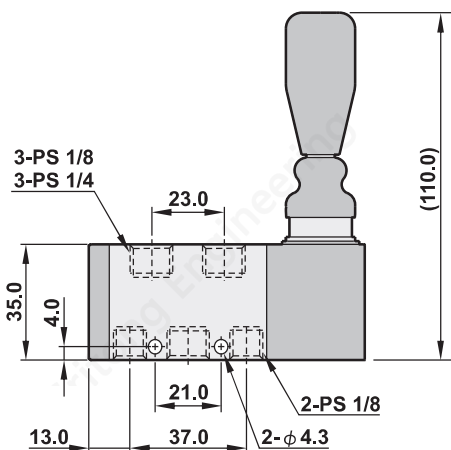
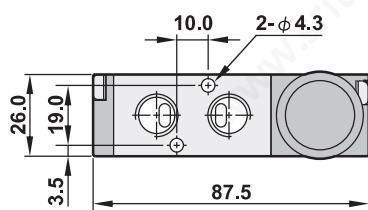
● TSV8652-01, 02M(S)



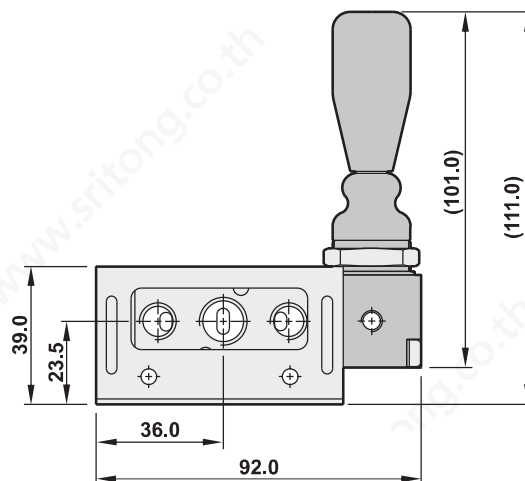
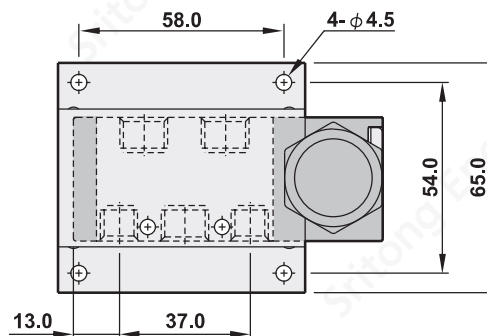
● TSV8652-03M(S)



● TSV8652R-01, 02

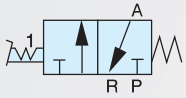


● TSV8652-01, 02MF



Symbol

• FSV8632-02M



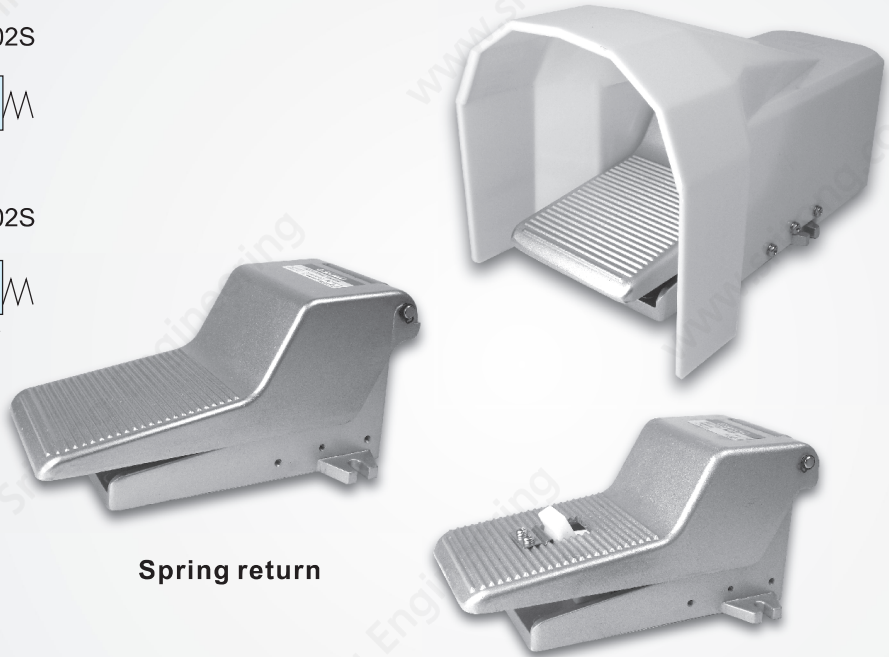
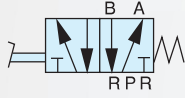
• FSV8632-02S



• FSV8652-02M



• FSV8652-02S



Spring return

Detent

Features

- * Aluminum alloy construction for durable use.
- * Available to be installed with polycarbonate protective guard.

How to order

FSV8632

02

N

M

F

Foot pedal valves

Port size

Thread

Acting

Protective guard

FSV8652	5/2 way
FSV8632	3/2 way

02	1/4"
----	------

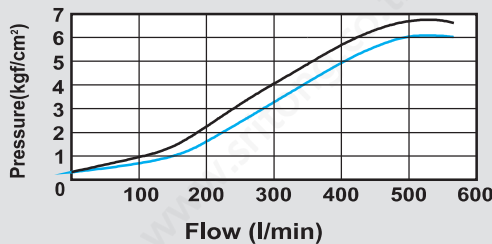
Blank	PS
N	NPT

S	Spring return
M	Detent

Blank	W/O guard
F	W/I guard

Flow chart

Model: FSV86

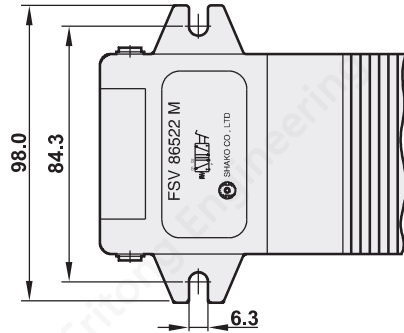


Specifications

Model	FSV8632-02	FSV8652-02
Port size		1/4"
Body material		Aluminum alloy
Fluid		Compressed air
Sectional area		12mm ²
Operating pressure range		0 ~ 9 kgf/cm ²
Max. operating pressure		10 kgf/cm ²
Ambient temperature		-10°C ~ 60°C

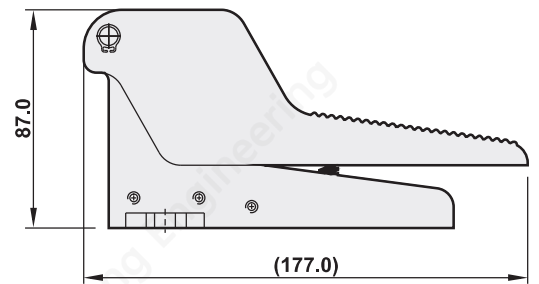
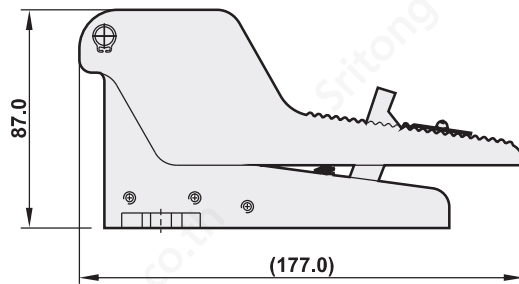
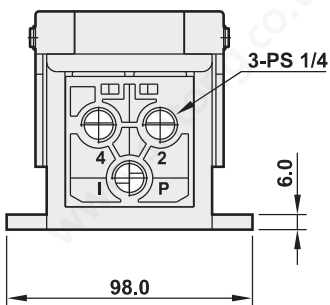
Dimensions

- FSV8652-02M(S)
- FSV8632-02M(S)



Detent

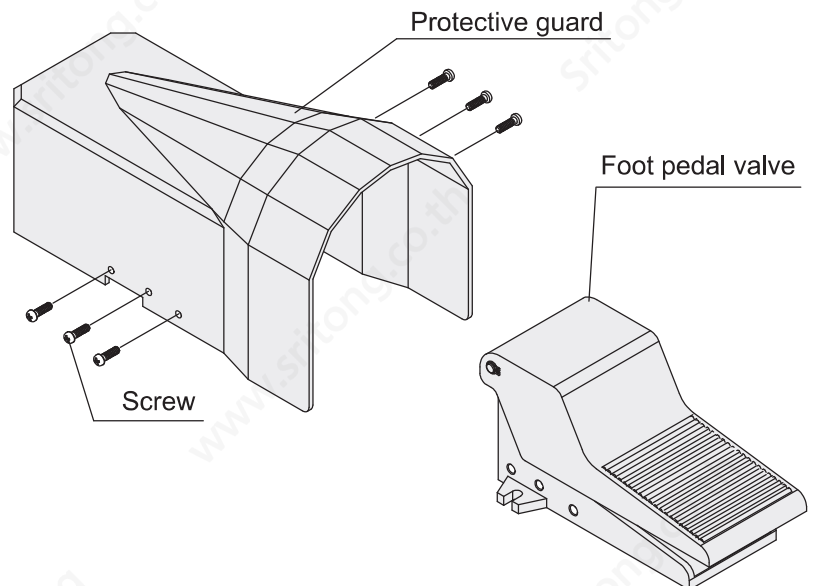
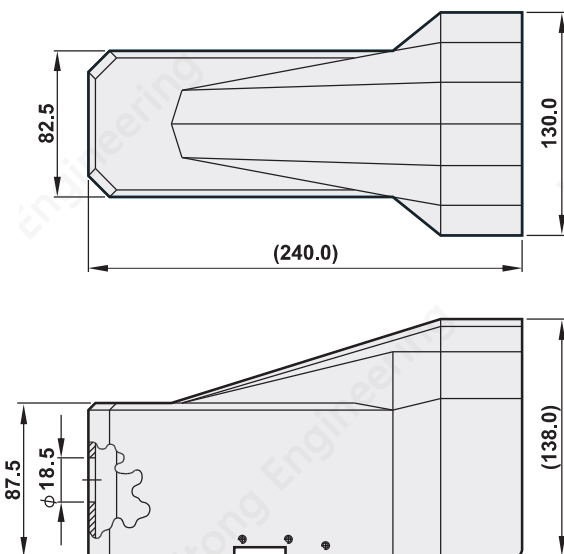
Spring return



MECHANICAL VALVES

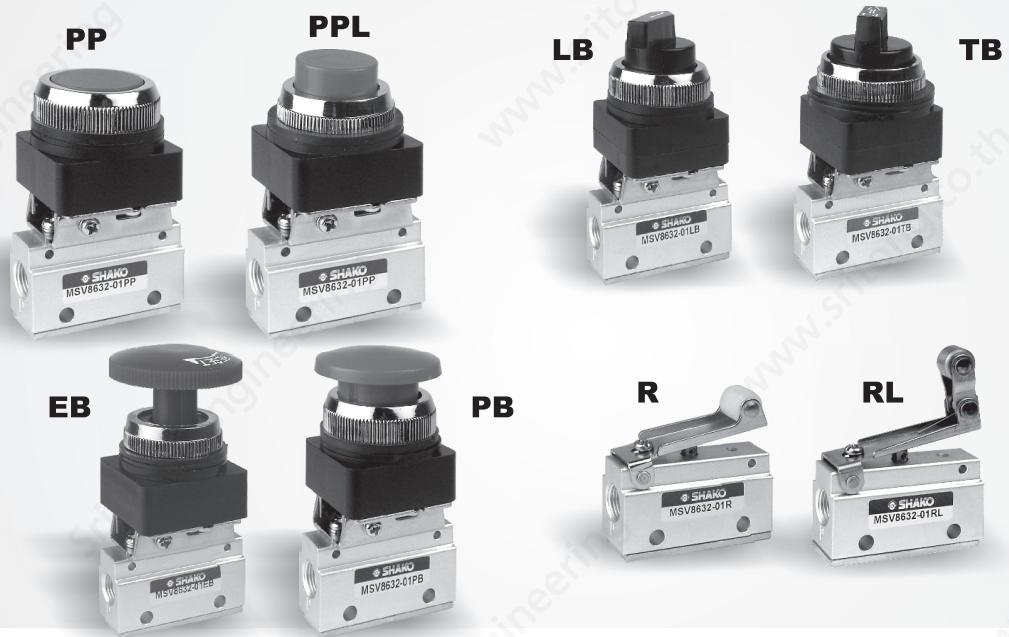
Guard dimensions

Explosion



Features

- * To be installed in moving devices like air cylinder, slide...etc.
- * Various operating styles.
- * Panel bore size $\phi 30$ (Option $\phi 25$).



How to order

MSV8632

- 01

N

R

G

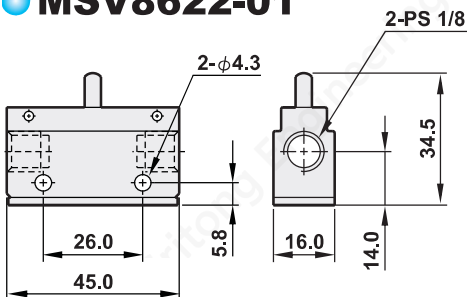
Mechanical valves		Port size	Thread	Operator			Operator color			
MSV8622	Single	01 1/8"	Blank PS	R	Roller	PB	Palm button (Mushroom)	Blank	Standard color	
MSV8642	Stack			N	NPT	RL	One way roller	PP	Palm button (Flush)	G
MSV8632	Single (with exhaust port)		* MSV8642 & MSV8662 for TB operator only.	TB	Twist selector	PPL	Palm button (Extended)	B	Black	
MSV8662	Stack (with exhaust port)			LB	Long twist selector	EB	Stop cock button	Y	Yellow	

Specifications

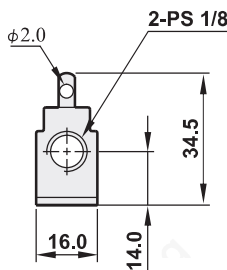
Model	MSV8632-01	MSV8642-01TB
Port size	1/8"	
Body material	Aluminum alloy	
Panel dimension	30mm (Option:25mm)	
Fluid	Compressed air	
Sectional area	1.8mm ²	
Operating pressure range	0 ~ 9 kgf/cm ²	
Max. operating pressure	10 kgf/cm ²	
Ambient temperature	-10°C ~ 60°C	
Standard operator color	Black: TB, LB; Red: PB, PP, PPL, EB	

Dimensions

MSV8622-01

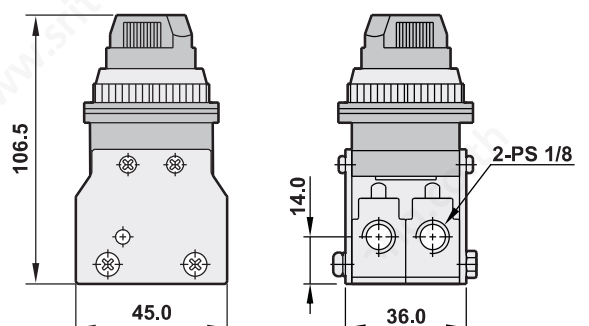


MSV8632-01



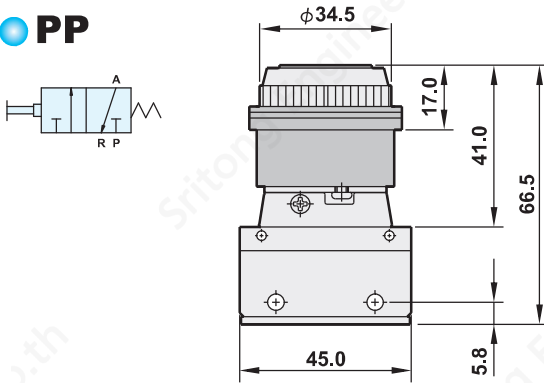
MSV8642-01TB

MSV8662-01TB

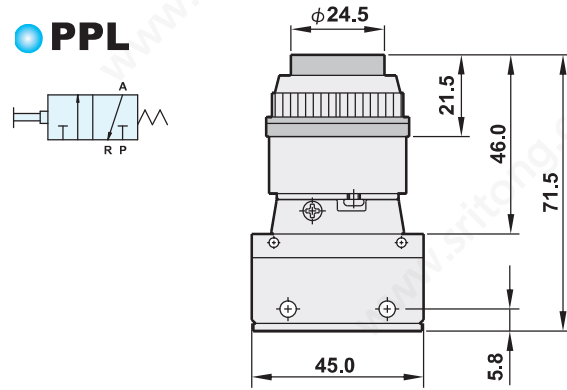


Dimensions

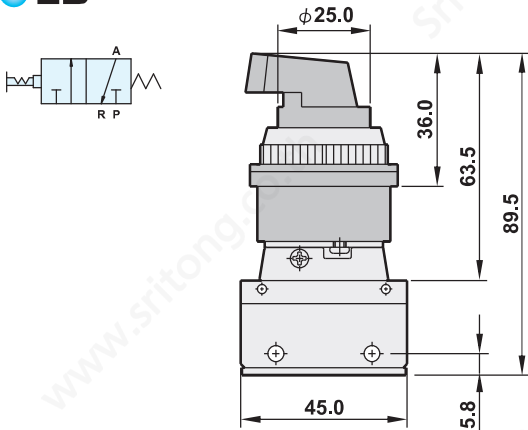
PP



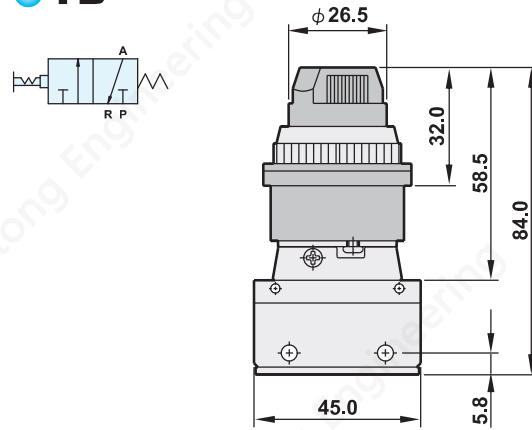
PPL



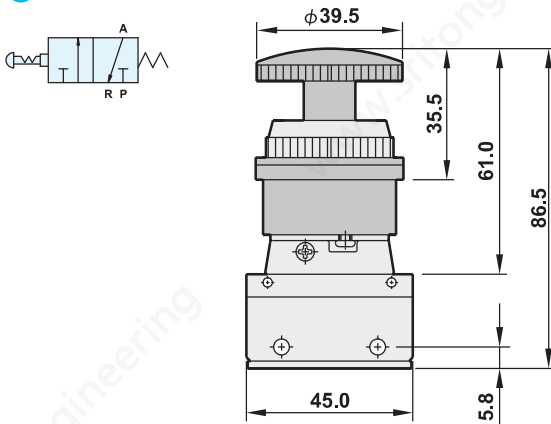
LB



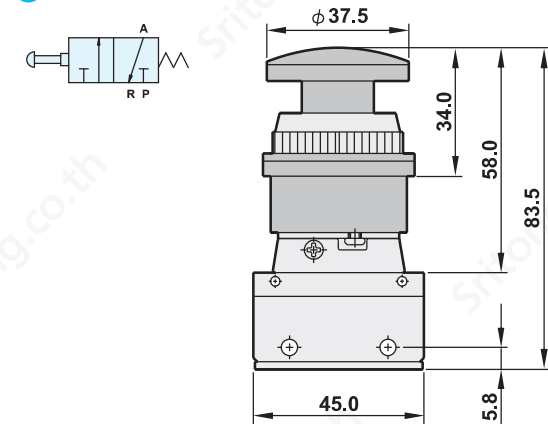
TB



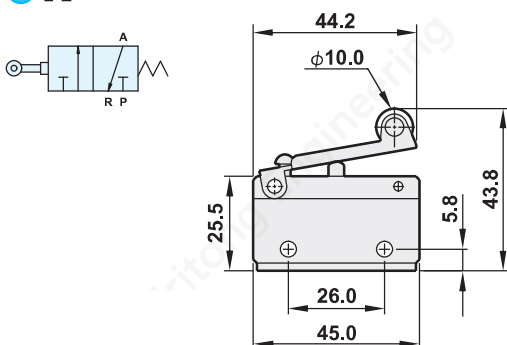
EB



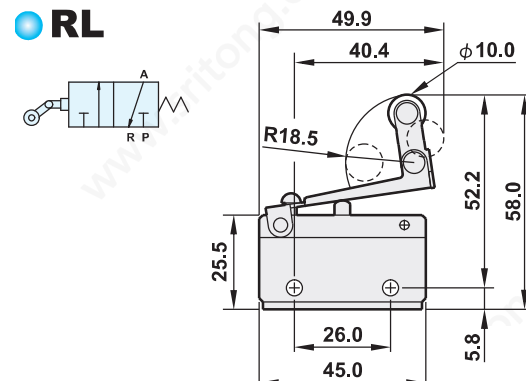
PB



R

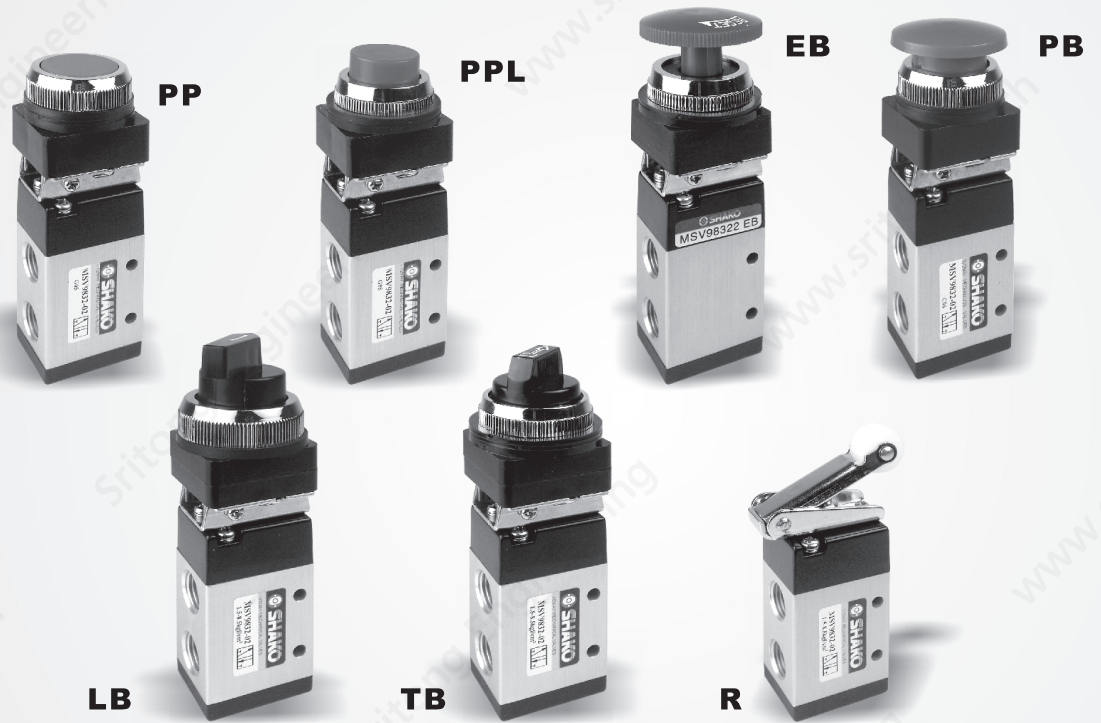


RL



Features

- * To be installed in moving devices like air cylinder, slide...etc.
- * Various operating styles.
- * Panel bore size $\phi 30$ (Option $\phi 25$).



MECHANICAL VALVES

How to order

MSV9832 —

02

N

R

G

Mechanical valves

32 3/2 Way

Port size

02 1/4"
Option 1/8"

Thread

Blank PS
N NPT

Operator

R	Roller
TB	Twist selector
LB	Long twist selector
PB	Palm button (Mushroom)
PP	Palm button (Flush)
PPL	Palm button (Extended)
EB	Stop cock button

Operator color

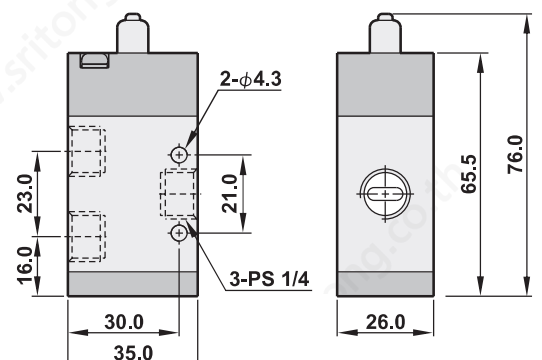
Blank	Standard color
G	Green
B	Black
Y	Yellow

Specifications

Model	MSV9832-02
Port size	1/4" (Option 1/8")
Body material	Aluminum alloy
Panel dimension	30mm (Option:25mm)
Fluid	Compressed air
Sectional area	18mm ²
Operating pressure range	0 ~ 9 kgf/cm ²
Max. operating pressure	10 kgf/cm ²
Ambient temperature	-10°C ~ 60°C
Standard operator color	Black: TB, LB; Red: PB, PP, PPL, EB

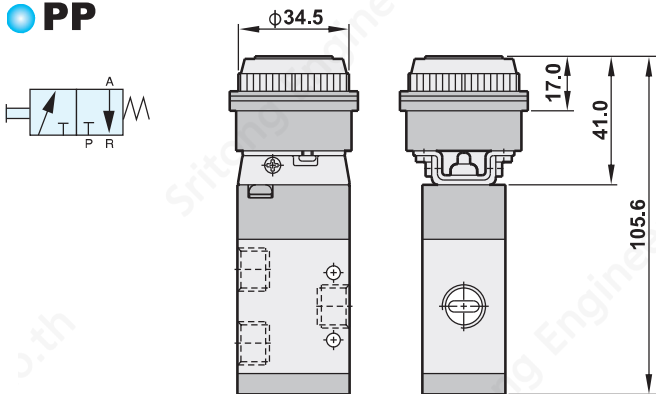
Dimensions

MSV9832-02

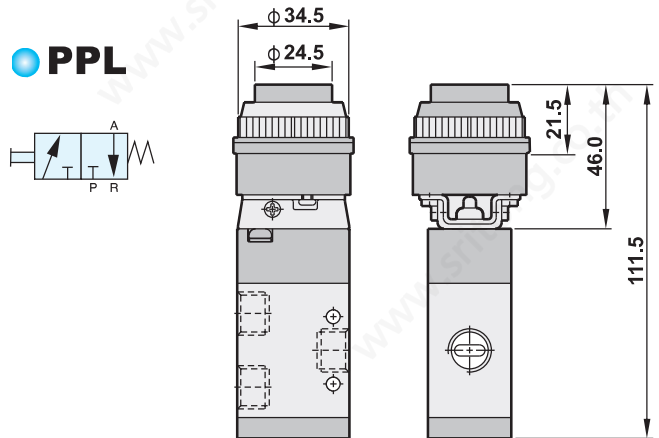


Dimensions

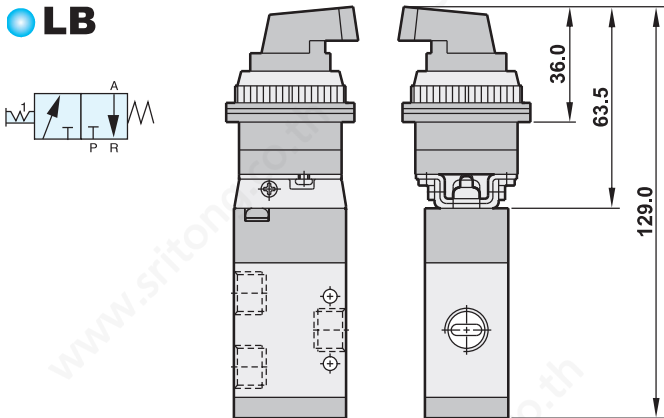
PP



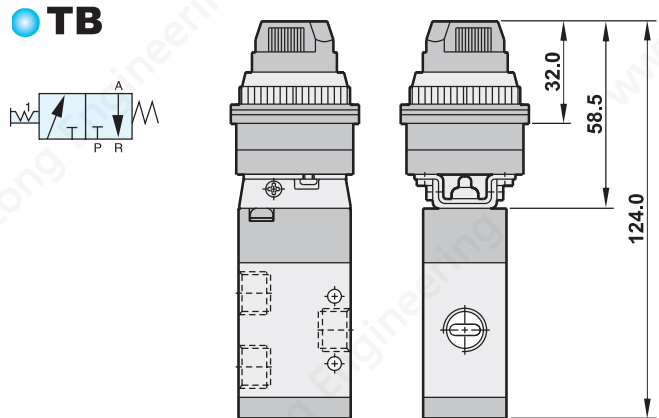
PPL



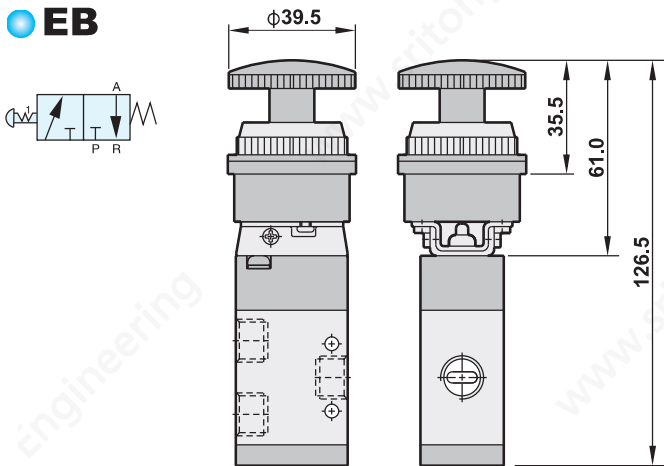
LB



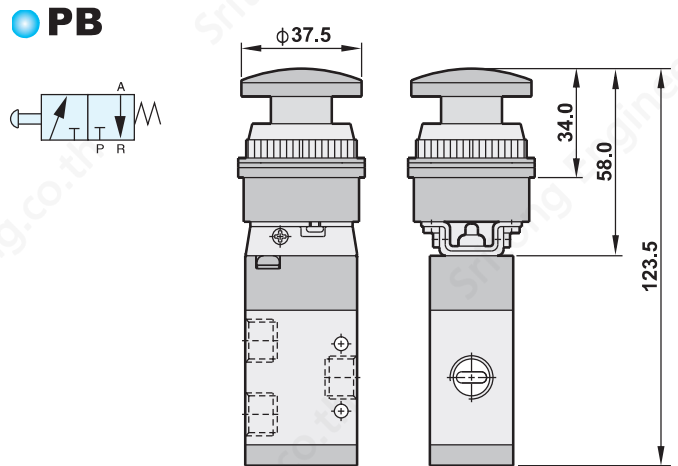
TB



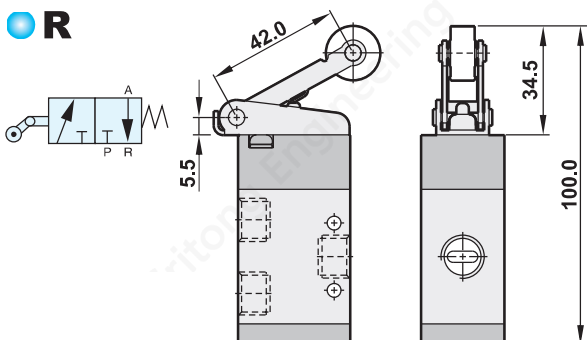
EB



PB



R



Features

- * To be installed in moving devices like air cylinder, slide...etc.
- * Various operating styles.
- * Panel bore size $\phi 30$ (Option $\phi 25$).



How to order

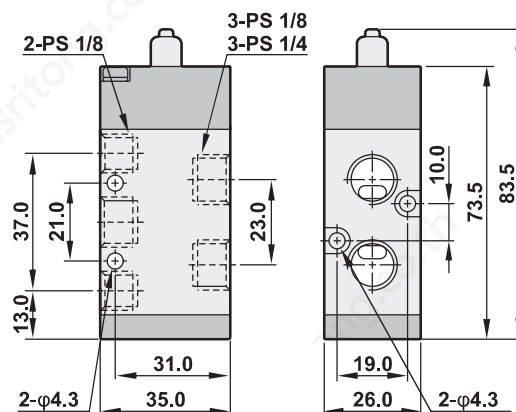
MSV8652		02	N	R	G
Mechanical valves		Port size	Thread	Operator	Operator color
52	5/2 Way	01 1/8" 02 1/4"	Blank PS N NPT	R Roller TB Twist selector LB Long twist selector PB Palm button (Mushroom) PP Palm button (Flush) PPL Palm button (Extended) EB Stop cock button PH Push-pull button	Blank Standard color G Green B Black Y Yellow

Specifications

Model	MSV8652-01	MSV8652-02
Port size	1/8"	1/4"
Body material	Aluminum alloy	
Panel dimension	30mm (Option:25mm)	
Fluid	Compressed air	
Sectional area	14mm ²	18mm ²
Operating pressure range	0 ~ 9 kgf/cm ²	
Max. operating pressure	10 kgf/cm ²	
Ambient temperature	-10°C ~ 60°C	
Standard operator color	Black: TB, LB; Red: PB, PP, PPL, EB	
Optional color	Green, Black, Yellow for PB, PP, PPL	

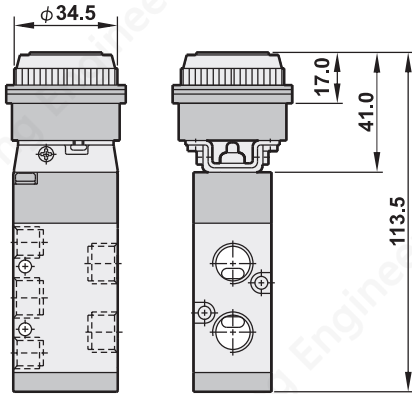
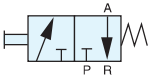
Dimensions

MSV8652-01, 02

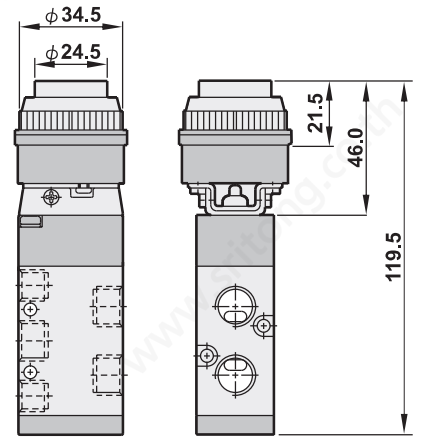


Dimensions

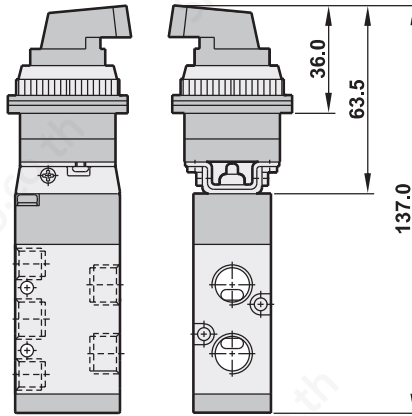
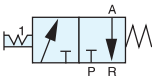
PP



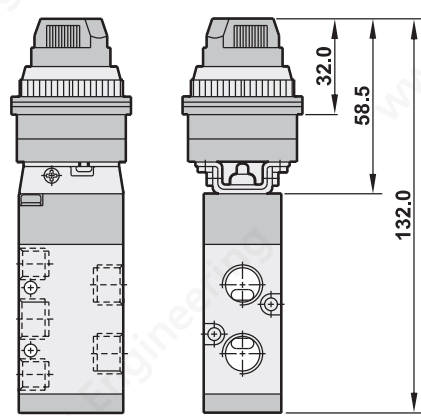
PPL



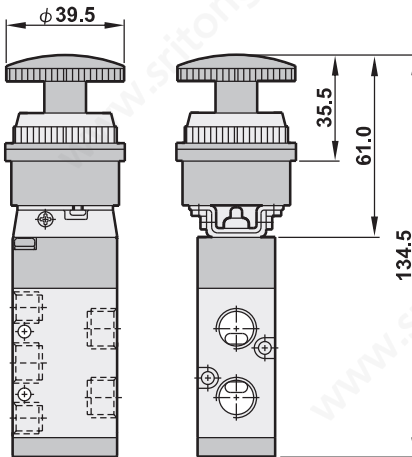
LB



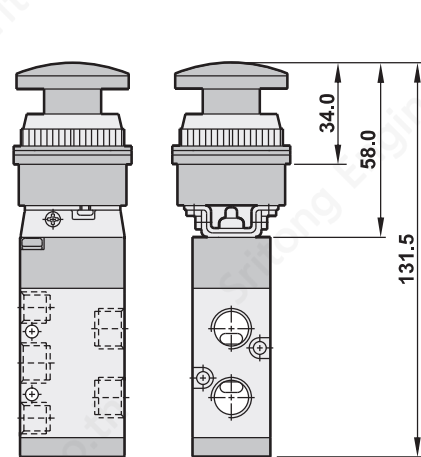
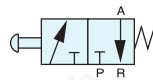
TB



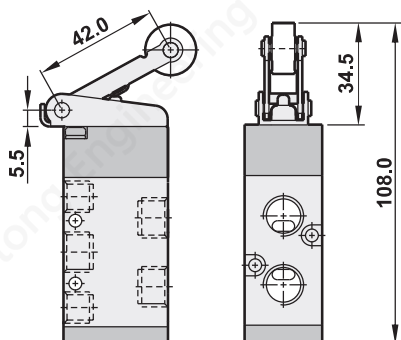
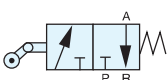
EB



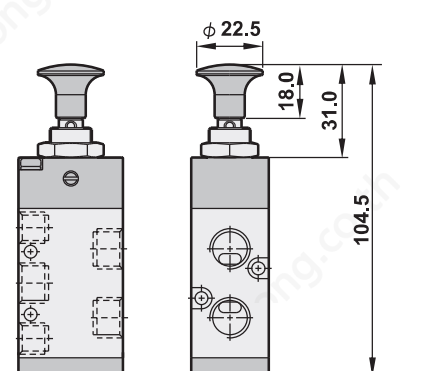
PB



R



PH



Features

- * One valve is okay for N.O or N.C use.
- * 7 kinds of installation.
- * Panel bore size ϕ 12.

301P patent number in China :
ZL200530157285.1

301V patent number in China :
ZL200530157282.8



How to order

MSV30132

Mechanical valves

3/2 way

01

Port size

01 1/8"

N

Thread

Blank	PS
N	NPT

V

Operator

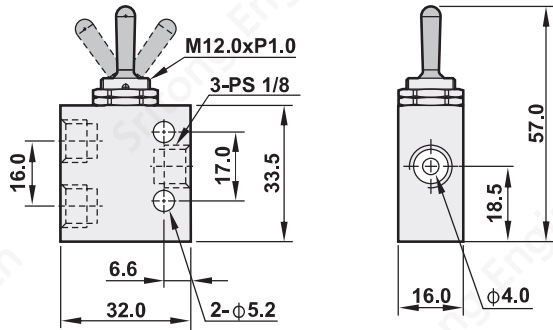
V	Toggle lever
R	Roller
P	Push button
D	One way roller
B	Ball plunger
A	Air pilot
F	Finger button

Specifications

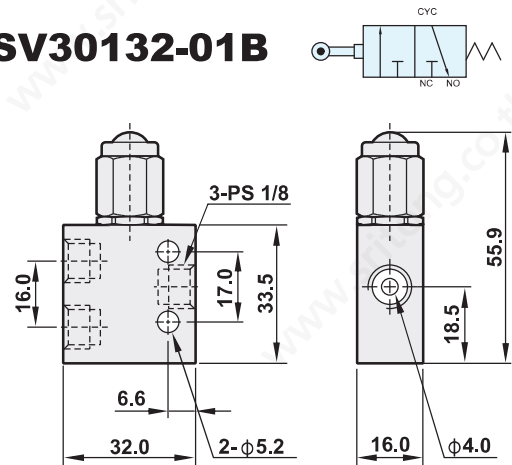
Model	MSV30132-01
Port size	1/8"
Body material	Aluminum alloy
Panel dimension	12mm
Fluid	Compressed air
Sectional area	5.5mm ²
Operating pressure range	0 ~ 9 kgf/cm ²
Air pilot operation	Starting pressure: 3.5 ~ 4.5 kgf/cm ²
Max. operating pressure	10 kgf/cm ²
Ambient temperature	-10°C ~ 60°C

Dimensions

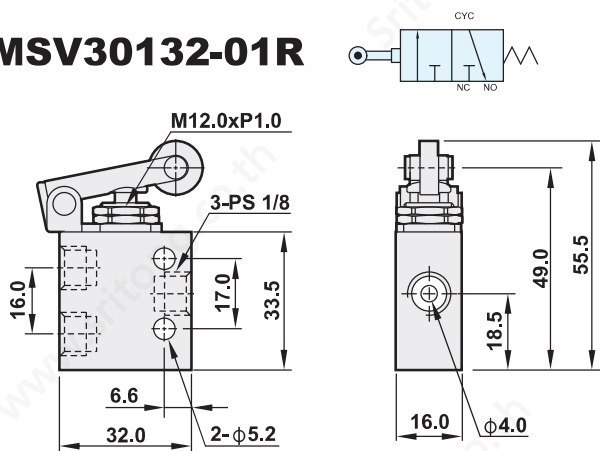
MSV30132-01V



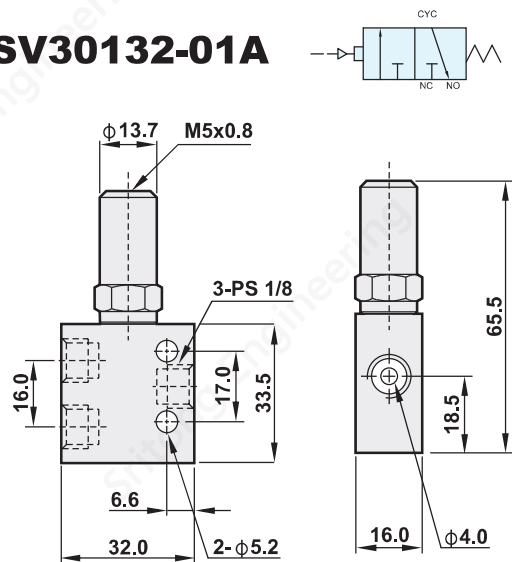
MSV30132-01B



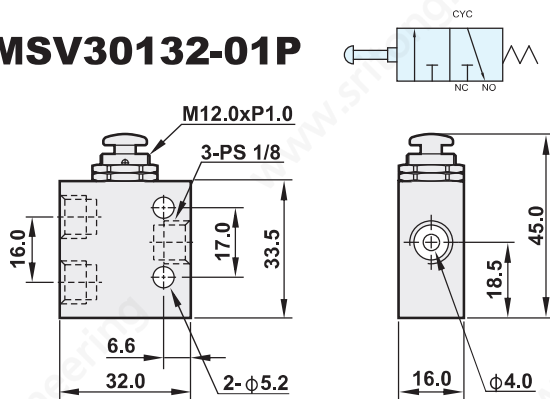
MSV30132-01R



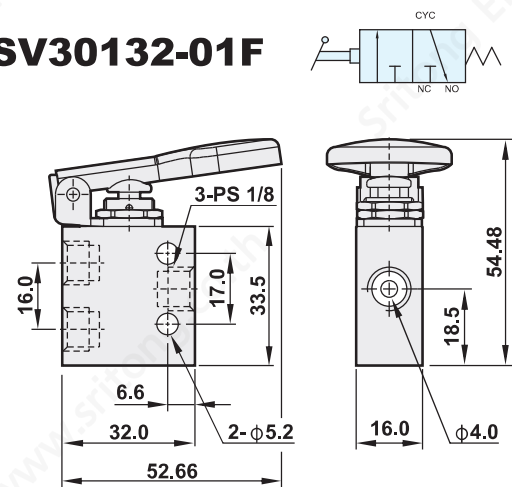
MSV30132-01A



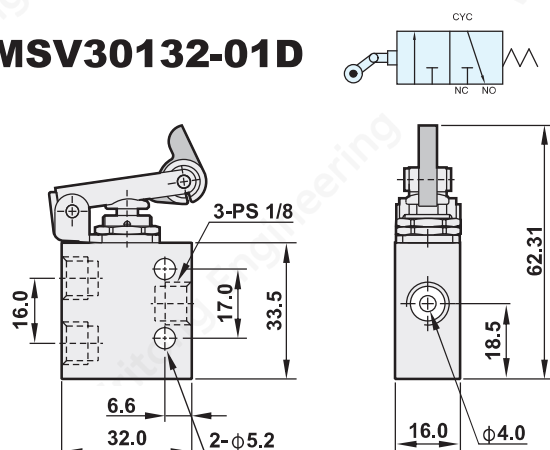
MSV30132-01P



MSV30132-01F



MSV30132-01D

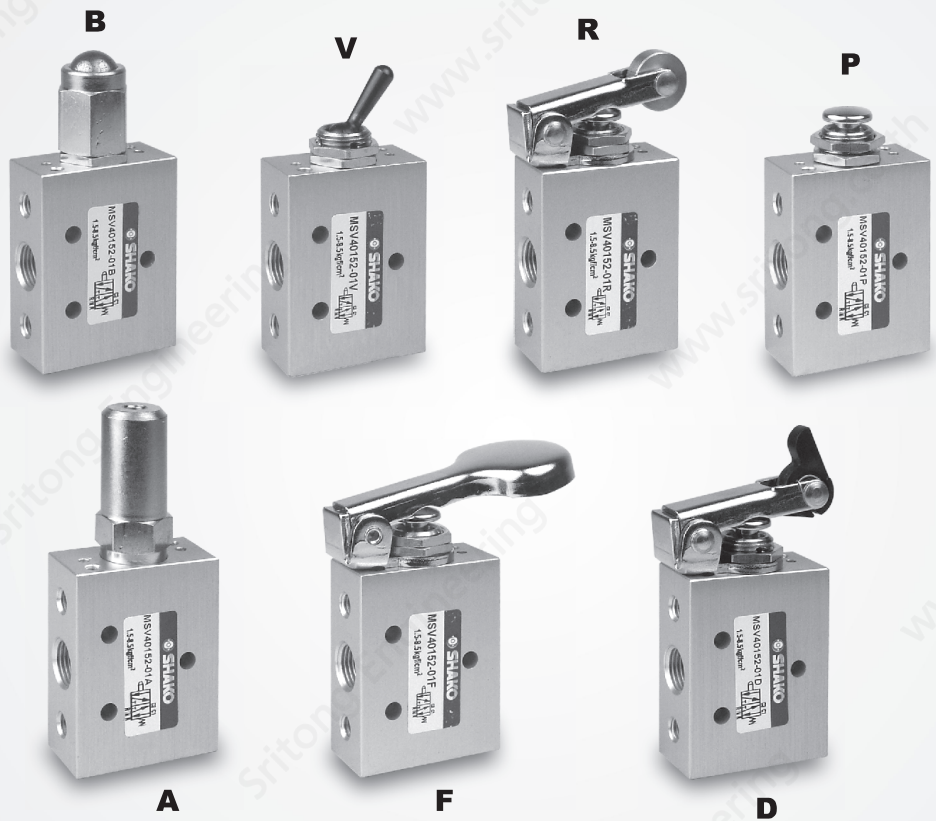


Features

- * 7 kinds of installation.
- * Panel bore size ϕ 12.

401P patent number in China :
ZL200530157288.5

401V patent number in China :
ZL200530157287.0



How to order

MSV40152 —

Mechanical valves

5/2 way

01

Port size

01 1/8"

N

Thread

Blank	PS
N	NPT

V

Operator

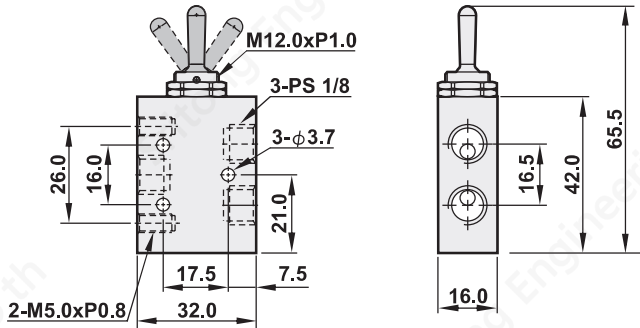
V	Toggle lever
R	Roller
P	Push button
D	One way roller
B	Ball plunger
A	Air pilot
F	Finger button

Specifications

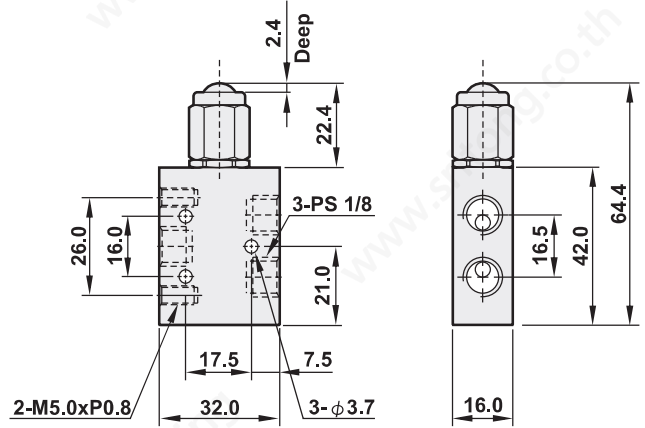
Model	MSV40152-01
Port size	1/8"
Body material	Aluminum alloy
Panel dimension	12mm
Fluid	Compressed air
Sectional area	6.3mm ²
Operating pressure range	0 ~ 9 kgf/cm ²
Air pilot operation	Starting pressure: 3.5 ~ 7.0 kgf/cm ²
Max. operating pressure	10 kgf/cm ²
Ambient temperature	-10°C ~ 60°C

Dimensions

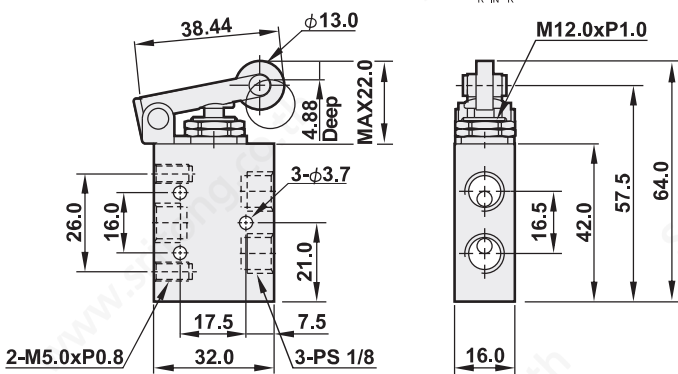
MSV40152-01V



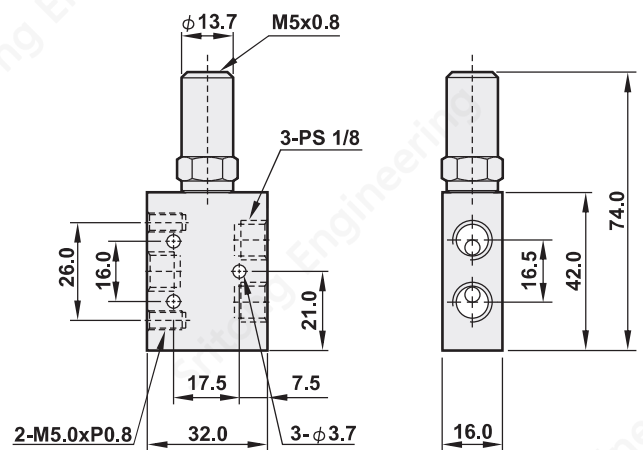
MSV40152-01B



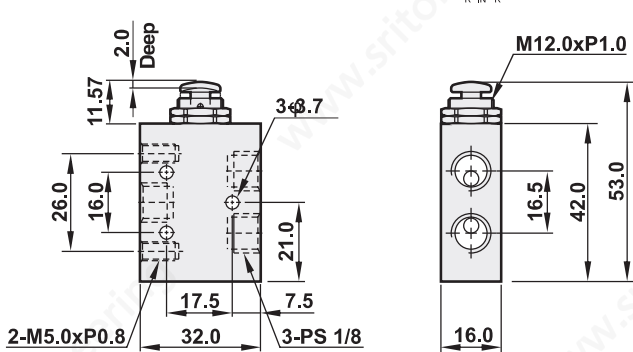
MSV40152-01R



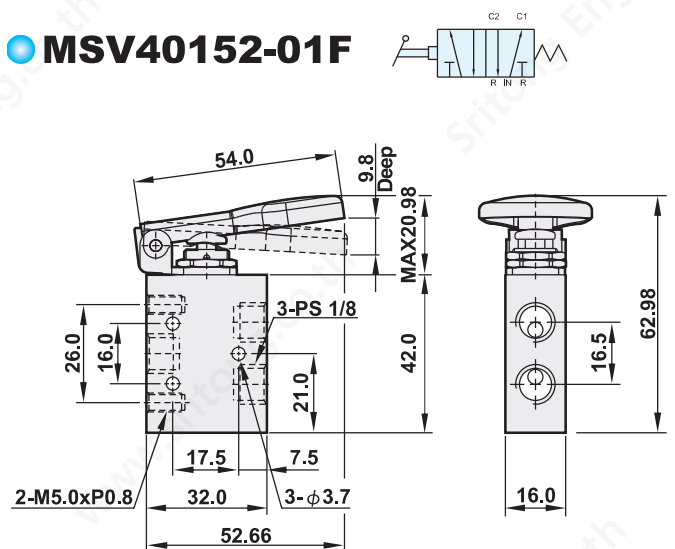
MSV40152-01A



MSV40152-01P



MSV40152-01F



MSV40152-01D

