

Features

- * Hydraulic self compensation.
- * Adjustable cushion.
- * Double cushion type.
- * Simple installation.

Installation cautions

- * Stop at 1mm before effective stroke.
- * Avoid any painting or damage on rod.
- * Strike angle on the collision head should be at right 90°, or less than 2° difference.
- * Please pay attention for the hardness of mounting plate to stand the strike.



How to order

DA

25

25

H

N

P

DA	Self compensation type
DAD	Double cushion type
CA	Adjustable type

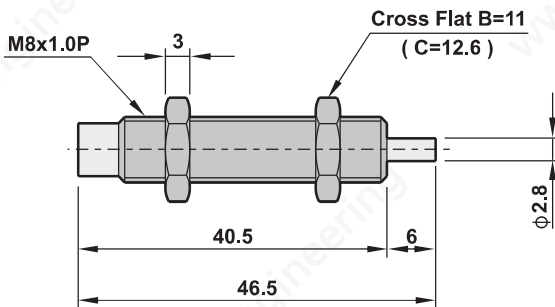
Tube O.D. Stroke

H	High impact speed
N	Medium impact speed
L	Low impact speed
Available for DA, DAD only	

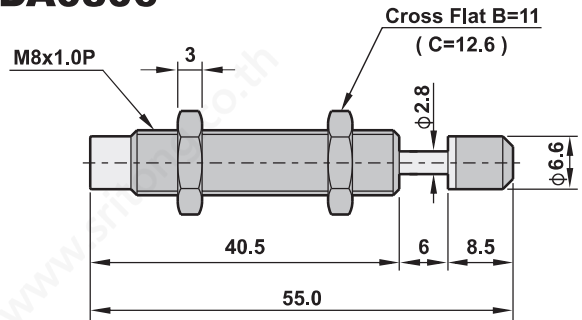
Blank	W/I cap	Blank	W/O positioning screw
NC	W/O cap	P	W/I positioning screw

Dimensions

DA0806-NC



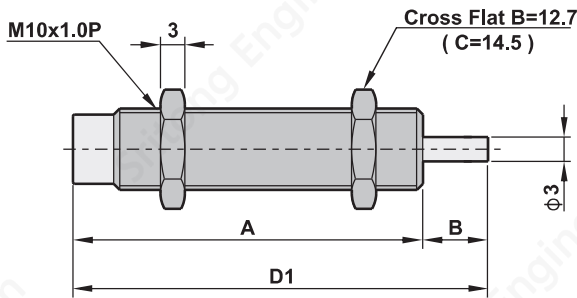
DA0806



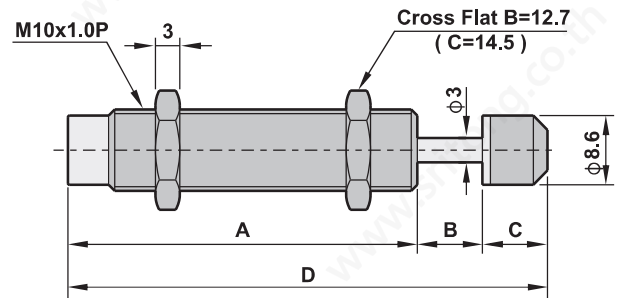
Model no.	Stroke mm	Max. Nm per cycle Nm	Effective weight We(Kg)	Max impact speed m/s	Max. Nm per hour Nm	Operating temperature °C
DA0806-H	6	1.8	0.9~5.6	2	2400	-15~75
DA0806-N	6	1.8	2.5~10	1.2	2400	-15~75
DA0806-L	6	1.8	5.6~22.5	0.8	2400	-15~75

Dimensions

DA1005, 1008-NC



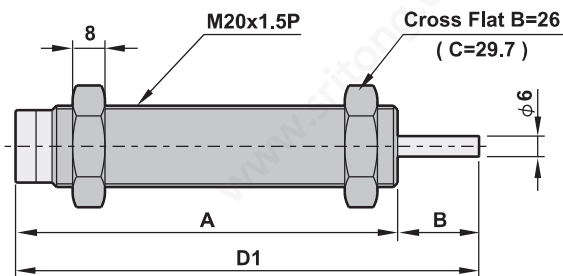
DA1005, 1008



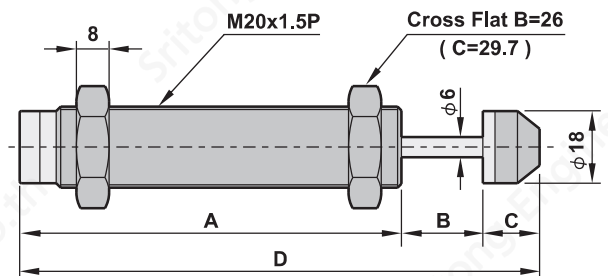
Model	A	B	C	D	D1
DA1005	45.5	5	8.5	59	50.5
DA1008	45.5	8	8.5	62	53.5

Model no.	Stroke mm	Max. Nm per cycle Nm	Effective weight We(Kg)	Max impact speed m/s	Max. Nm per hour Nm	Operating temperature °C
DA1005-H	5	3.2	0.9~4.4	2.6	5760	-15~75
DA1005-N	5	3.2	2.8~10	1.5	5760	-15~75
DA1005-L	5	3.2	10~40	0.8	5760	-15~75
DA1008-H	8	3.2	0.9~4.4	2.6	5760	-15~75
DA1008-N	8	3.2	2.8~10	1.5	5760	-15~75
DA1008-L	8	3.2	10~40	0.8	5760	-15~75

DA2020, 2030, 2050-NC



DA2020, 2030, 2050

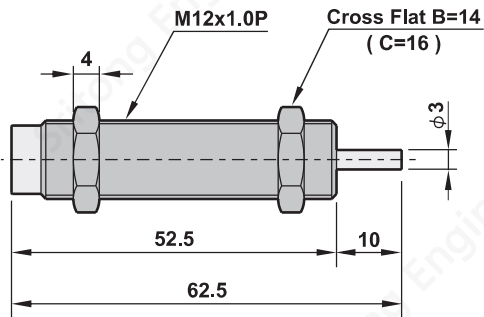


Model	A	B	C	D	D1
DA2020	94	20	14	128	114
DA2030	112	30	14	156	142
DA2050	156.5	50	14	220.5	206.5

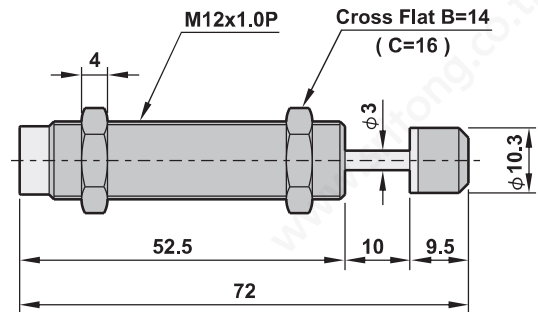
Model no.	Stroke mm	Max. Nm per cycle Nm	Effective weight We(Kg)	Max impact speed m/s	Max. Nm per hour Nm	Operating temperature °C
DA2020-H	20	35	6.8~12	3.2	42000	-15~75
DA2020-N	20	35	17.5~70	2	42000	-15~75
DA2020-L	20	35	48.6~777	1.2	42000	-15~75
DA2030-H	30	46	9~36	3.2	55200	-15~75
DA2030-N	30	46	23~92	2	55200	-15~75
DA2030-L	30	46	64~575	1.2	55200	-15~75
DA2050-H	50	62	7~19.8	4.2	70200	-15~75
DA2050-N	50	62	18.3~55.1	2.6	70200	-15~75
DA2050-L	50	62	55~496	1.5	70200	-15~75

Dimensions

DA1210-NC

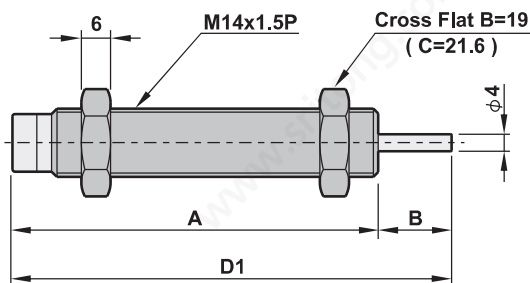


DA1210

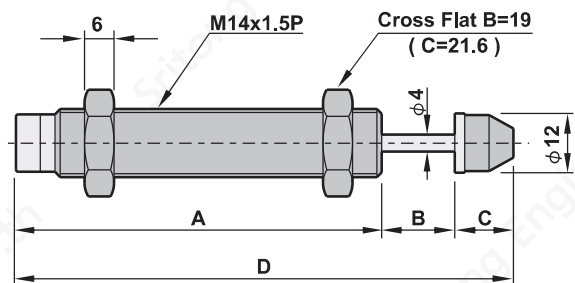


Model no.	Stroke mm	Max. Nm per cycle Nm	Effective weight We(Kg)	Max impact speed m/s	Max. Nm per hour Nm	Operating temperature °C
DA1210-H	10	6	1.8~1.2	2.6	10800	-15~75
DA1210-N	10	6	5.3~18.7	1.5	10800	-15~75
DA1210-L	10	6	18.7~75	0.8	10800	-15~75

DA1412, 1415, 1416-NC



DA1412, 1415, 1416

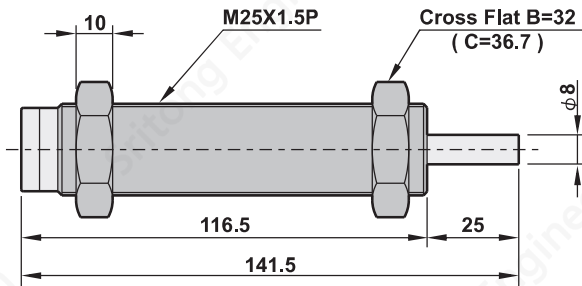


Model	A	B	C	D	D1
DA1412	75	12	12	99	87
DA1415	75	15	12	102	90
DA1416	75	16	12	106	91

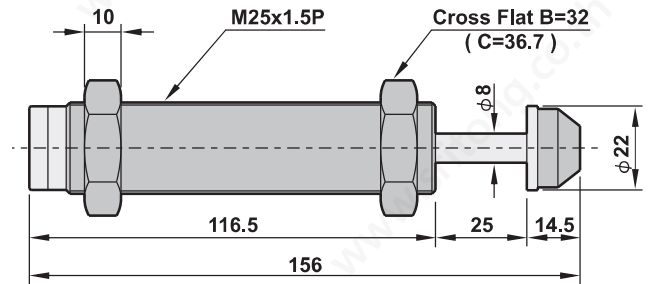
Model no.	Stroke mm	Max. Nm per cycle Nm	Effective weight We(Kg)	Max impact speed m/s	Max. Nm per hour Nm	Operating temperature °C
DA1412-H	12	20	5~27	2.6	36000	-15~75
DA1412-N	12	20	17~62	1.5	36000	-15~75
DA1412-L	12	20	40~200	0.8	36000	-15~75
DA1415-H	15	20	5~27	2.6	36000	-15~75
DA1415-N	15	20	17~62	1.5	36000	-15~75
DA1415-L	15	20	40~200	0.8	36000	-15~75
DA1416-H	16	20	5~27	2.6	36000	-15~75
DA1416-N	16	20	17~62	1.5	36000	-15~75
DA1416-L	16	20	40~200	0.8	36000	-15~75

Dimensions

DA2525-NC

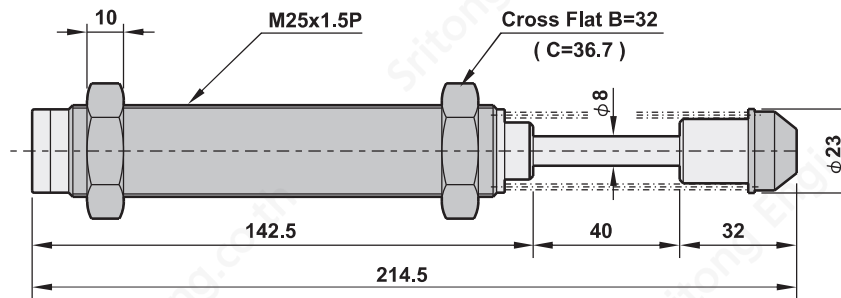


DA2525



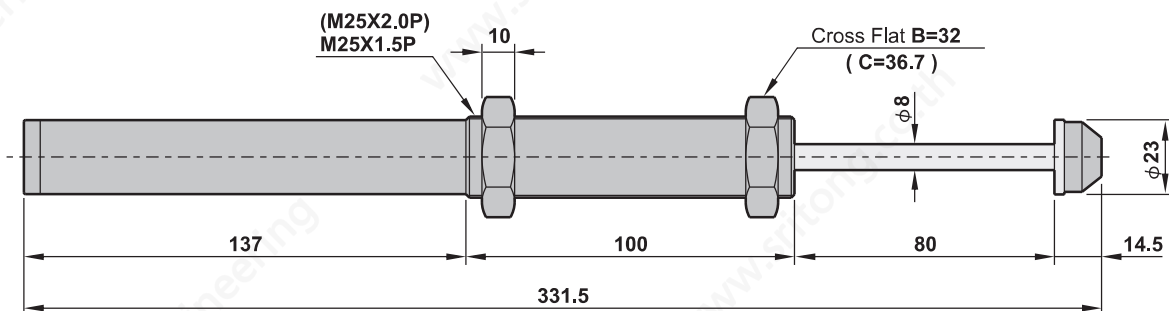
Model no.	Stroke mm	Max. Nm per cycle Nm	Effective weight We(Kg)	Max impact speed m/s	Max. Nm per hour Nm	Operating temperature °C
DA2525-H	25	78	15~69	3.2	70200	-15~75
DA2525-N	25	78	39~433	2	70200	-15~75
DA2525-L	25	78	108~1733	1.2	70200	-15~75

DA2540



Model no.	Stroke mm	Max. Nm per cycle Nm	Effective weight We(Kg)	Max impact speed m/s	Max. Nm per hour Nm	Operating temperature °C
DA2540-H	40	122	20~108	3.5	87840	-15~75
DA2540-N	40	122	50~381	2.2	87840	-15~75
DA2540-L	40	122	244~1991	1	87840	-15~75

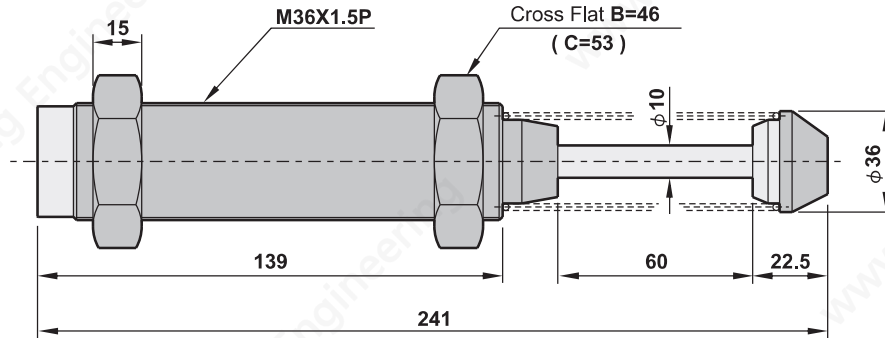
DA2580



Model no.	Stroke mm	Max. Nm per cycle Nm	Effective weight We(Kg)	Max impact speed m/s	Max. Nm per hour Nm	Operating temperature °C
DA2580-H	80	198	24.7~99	4	87840	-15~75
DA2580-N	80	198	44~396	3	87840	-15~75
DA2580-L	80	198	176~1584	1.5	87840	-15~75

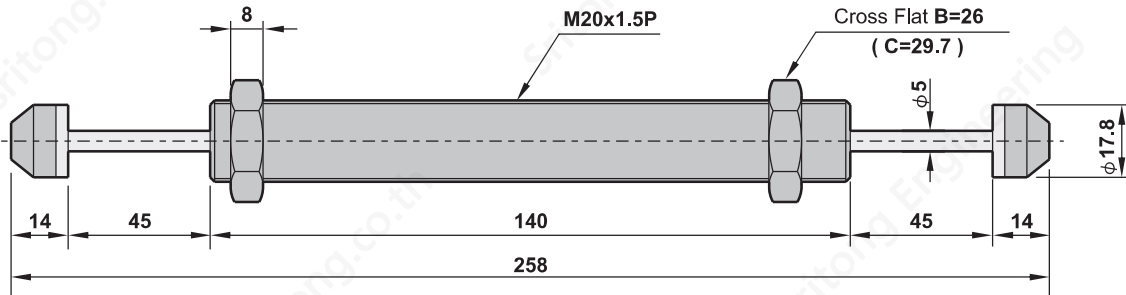
Dimensions

DA3660



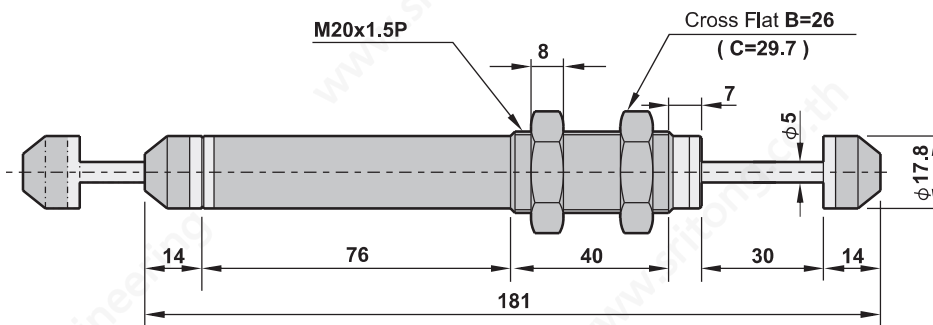
Model no.	Stroke mm	Max. Nm per cycle Nm	Effective weight We(Kg)	Max impact speed m/s	Max. Nm per hour Nm	Operating temperature °C
DA3660-H	60	260	57~231	3	124800	-15~75
DA3660-N	60	260	130~813	2	124800	-15~75
DA3660-L	60	260	520~3520	1	124800	-15~75

DAD2030



Model no.	Stroke mm	Max. Nm per cycle Nm	Effective weight We(Kg)	Max impact speed m/s	Max. Nm per hour Nm	Operating temperature °C
DAD2030-H	30	46	9~41	3.2	55200	-15~75
DAD2030-N	30	46	23~144	2	55200	-15~75
DAD2030-L	30	46	64~575	1.2	55200	-15~75

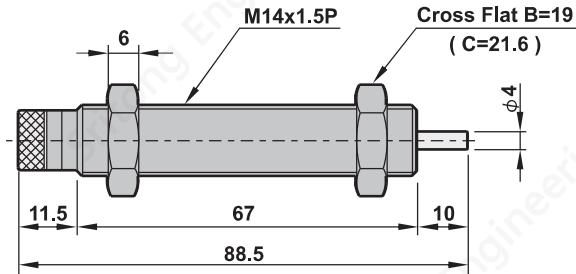
DAD2045



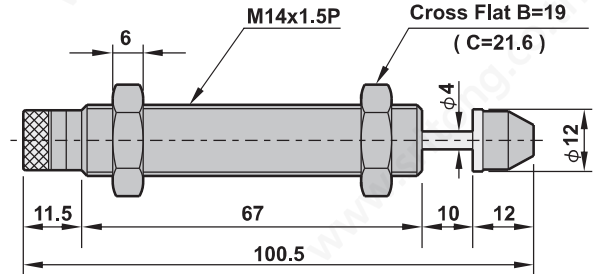
Model no.	Stroke mm	Max. Nm per cycle Nm	Effective weight We(Kg)	Max impact speed m/s	Max. Nm per hour Nm	Operating temperature °C
DAD2045-H	45	52	10~46	3.2	64200	-15~75
DAD2045-N	45	52	26~162	2	64200	-15~75
DAD2045-L	45	52	72~650	1.2	64200	-15~75

Dimensions

CA1410-NC

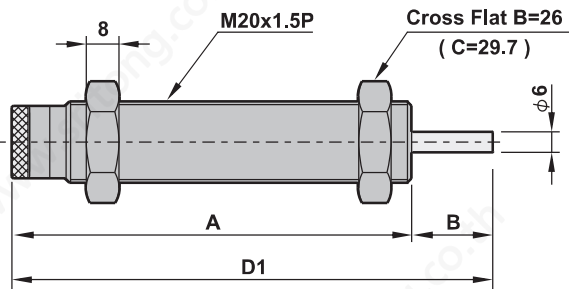


CA1410

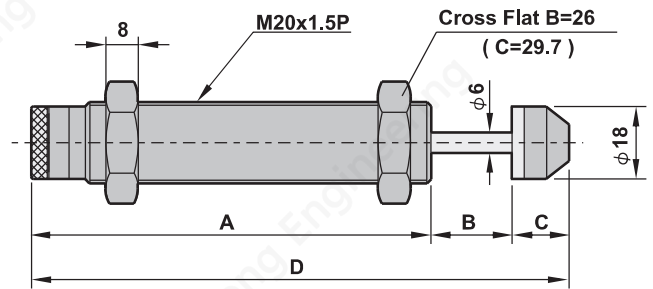


Model no.	Stroke mm	Max. Nm per cycle Nm	Effective weight We(Kg)	Max impact speed m/s	Max. Nm per hour Nm	Operating temperature °C
CA1410	10	15	2.9~120	3.2	27000	-15~75

CA2016, 2020-NC



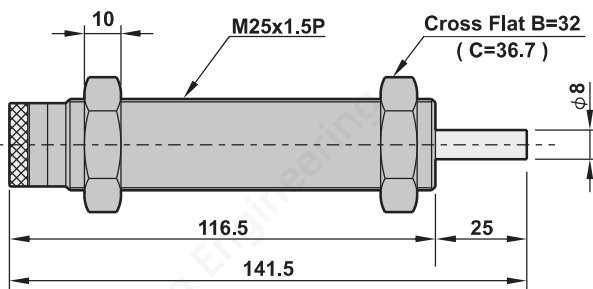
CA2016, 2020



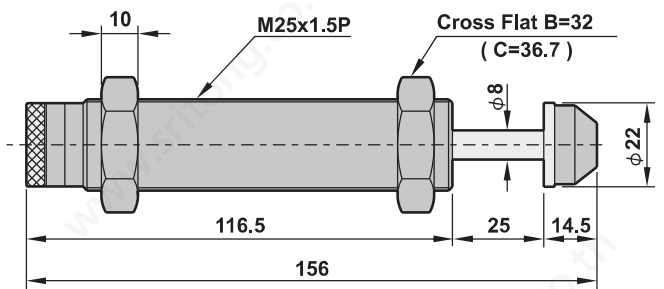
Model	A	B	C	D	D1
CA2016	100	16	14	130	116
CA2020	100	20	14	134	120

Model no.	Stroke mm	Max. Nm per cycle Nm	Effective weight We(Kg)	Max impact speed m/s	Max. Nm per hour Nm	Operating temperature °C
CA2016	16	28	5.4~224	3.2	33600	-15~75
CA2020	20	35	6.8~280	3.2	42000	-15~75

CA2525-NC



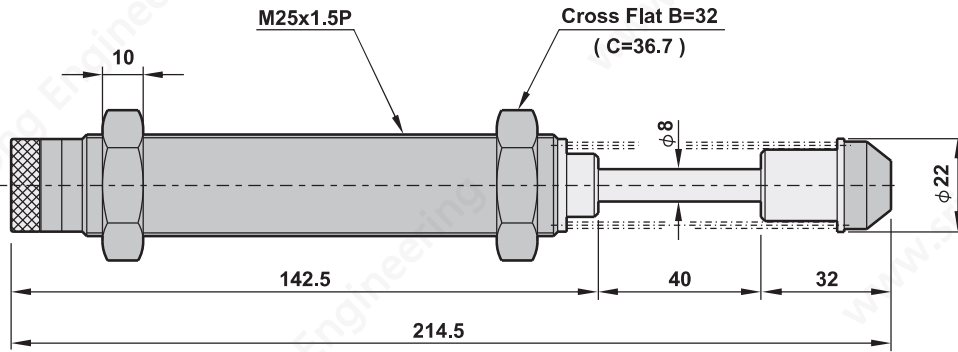
CA2525



Model no.	Stroke mm	Max. Nm per cycle Nm	Effective weight We(Kg)	Max impact speed m/s	Max. Nm per hour Nm	Operating temperature °C
CA2525	25	78	15~624	3.2	70200	-15~75

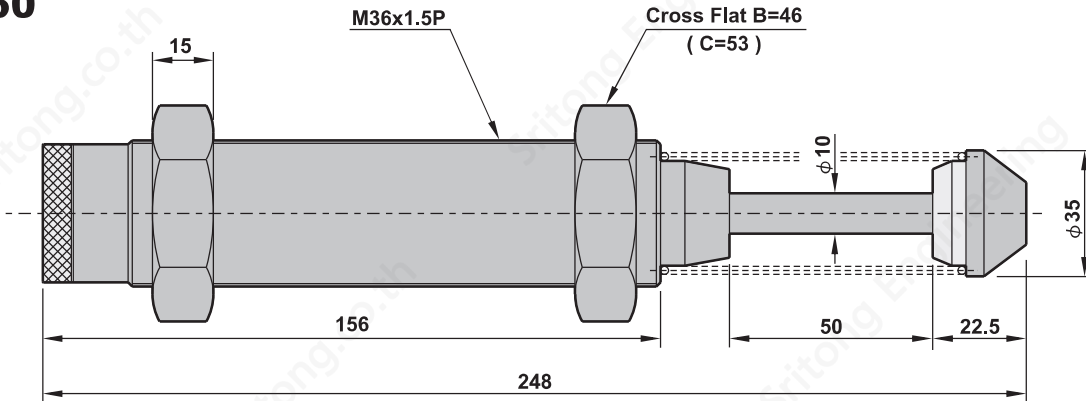
Dimensions

CA2540



Model no.	Stroke mm	Max. Nm per cycle Nm	Effective weight We(Kg)	Max impact speed m/s	Max. Nm per hour Nm	Operating temperature °C
CA2540	40	122	23.8~976	3.2	87840	-15~75

CA3650



Model no.	Stroke mm	Max. Nm per cycle Nm	Effective weight We(Kg)	Max impact speed m/s	Max. Nm per hour Nm	Operating temperature °C
CA3650	50	220	43~1760	3.2	105600	-15~75