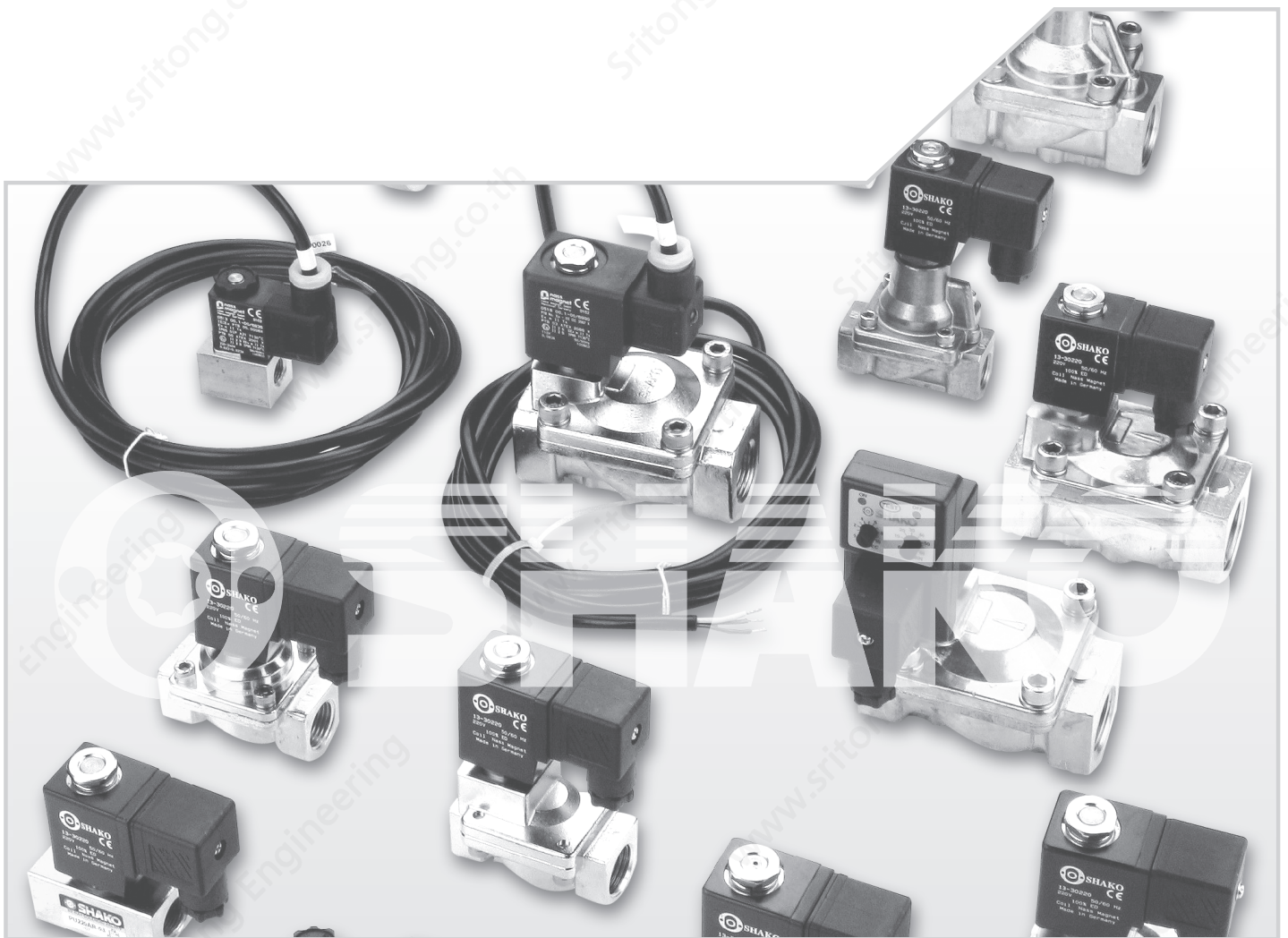
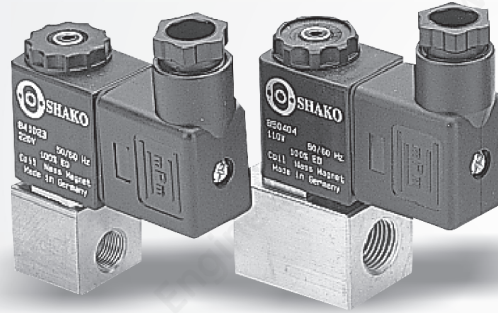


2/2 WAY SOLENOID VALVES



Features

- * Direct acting.
- * Quick response.
- * Ex-proof coil T4 as optional accessory.
- * Timer for setting on/off time as optional accessory.



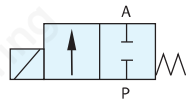
How to order

PU220	AR	-	01	N	-	S	1	LED	E
Brass 2/2 way direct acting	Series		Port size	Thread		Solenoid	Voltage	LED	Ex-proof coil
	AR Square body		01 1/8" 02 1/4" 03 3/8"	Blank PS N NPT			1 110VAC 2 220VAC 9 24VDC	Blank W/O LED	

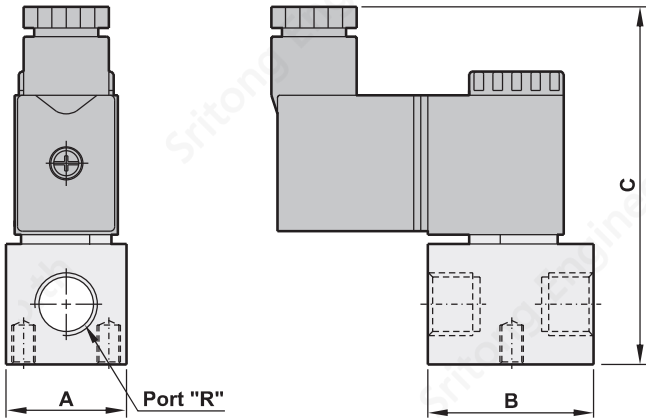
Specifications

Model	PU220AR-01	PU220AR-02	PU220AR-03
Port size	1/8"	1/4"	3/8"
Fluid	Compressed air (light oil, water)		
Orifice	1.5mm	2.3mm	8.0mm
Sectional area	1.8mm ²	3.3mm ²	20.64mm ²
Acting	Direct acting		
Construction	Piston		
Operating pressure range AC	0 ~ 8.5 kgf/cm ²		
Operating pressure range DC	0 ~ 7 kgf/cm ²		
Max. operating pressure	10 kgf/cm ²		
Body material	Die-cast brass		
Fluid temperature	-10°C ~ 90°C		
Ambient temperature	-10°C ~ 60°C		
Installation	Any direction (Horizontal is recommended)		
Duty cycle	100% ED		
Coil type	DIN		
Protection class	IP65 (DIN 40 050)		
Insulation class	F		
Voltage tolerance	±10%		
Standard voltage	220VAC, 110VAC, 24VDC The other voltage is optional		
Power consumption	AC: 6.0VA, DC: 4.8W		
Net weight	175g	255g	510g

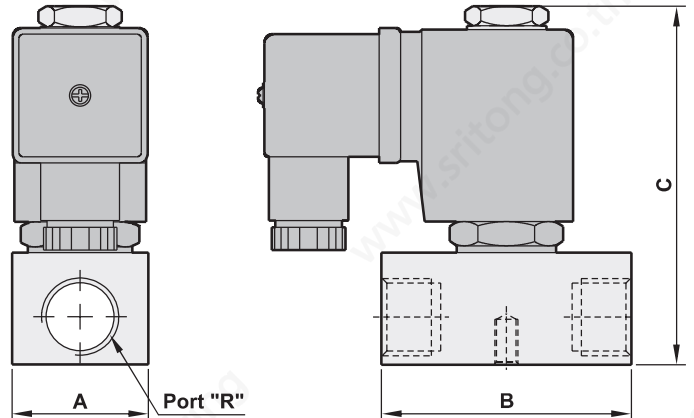
Dimensions



PU220AR-01/02



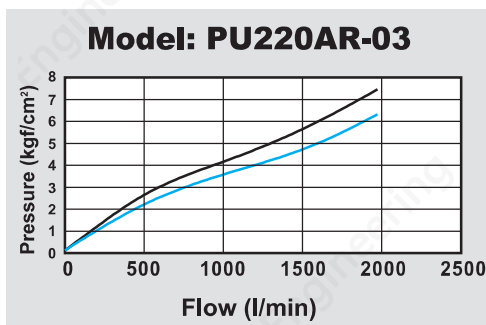
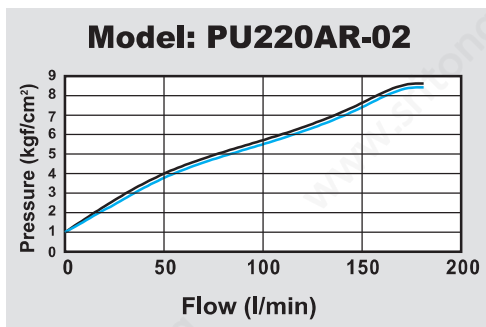
PU220AR-03



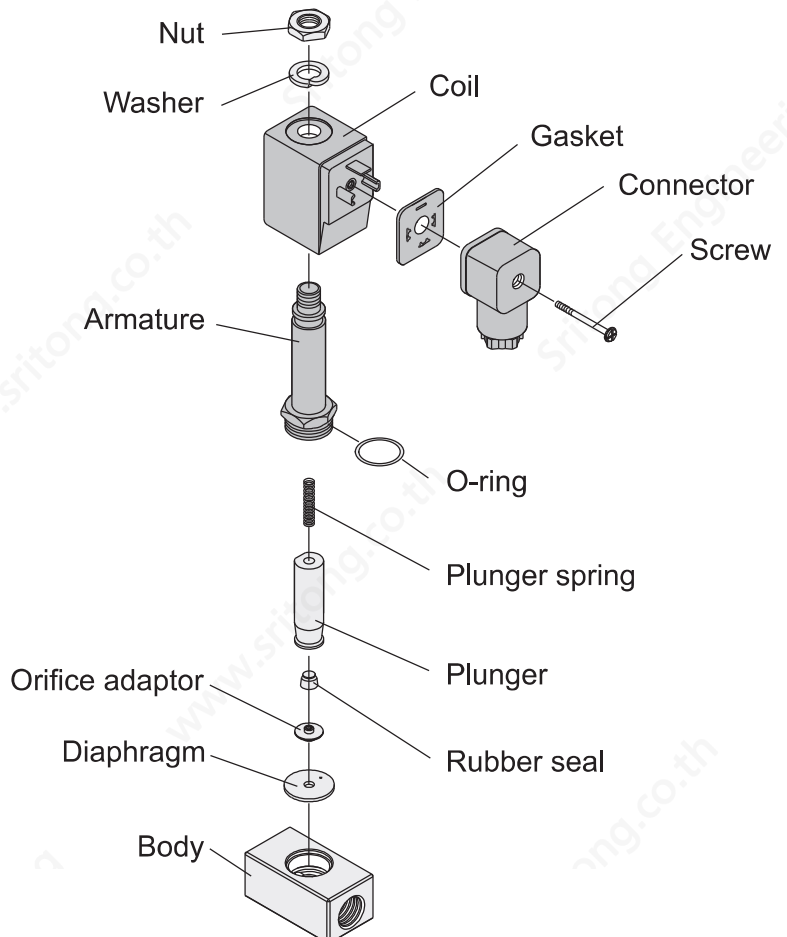
(mm)

Model	PU220AR-01	PU220AR-02	PU220AR-03
R	1/8"	1/4"	3/8"
A	22.0	25.4	30.0
B	22.0	35.0	55.0
C	72.0	75.0	79.0

Flow chart



Explosion



2/2 WAY SOLENOID VALVES

Features

- * Direct acting.
- * Quick response.
- * Stainless steel stem provides exceptional durability.
- * Flange type is available for JIS 10K, ANSI 150LB and PN16.
- * Ex-proof coil T4 as optional accessory.
- * Timer for setting on/off time as optional accessory.



How to order

PU220	A	V	F - O3	N - S	1	LED	E		
Brass 2/2 way direct acting	Series	Diaphragm	Flange type	Port size	Thread	Solenoid	Voltage	LED	Ex-proof coil
	Blank	NBR	F 10K	03 3/8"	Blank PS	1 110VAC	Blank W/O LED		
	V	VITON	F3 150LB	04 1/2"	N NPT	2 220VAC			
	E	EPDM	F4 PN16 only for A series	06 3/4"		9 24VDC			
				08 1"					

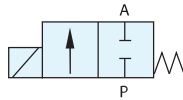
Specifications

Model	PU220A-03	PU220A-04	PU220A-06	PU220A-08
Port size	3/8"	1/2"	3/4"	1"
Fluid	Compressed air (light oil, water)			
Orifice	13mm	13mm	20mm	25mm
Sectional area	76mm ²	76mm ²	162mm ²	220mm ²
Acting	Direct acting			
Construction	Diaphragm			
Operating pressure range AC	0 ~ 7 kgf/cm ²			
Operating pressure range DC	0 ~ 6 kgf/cm ²		0 ~ 5 kgf/cm ²	
Max. operating pressure	10 kgf/cm ²			
Body material	Die-cast Brass			
Fluid temperature	-10°C ~ 90°C			
Ambient temperature	-10°C ~ 60°C			
Installation	Horizontal			
Duty cycle	100% ED			
Coil type	DIN			
Protection class	IP65 (DIN 40 050)			
Insulation class	F			
Voltage tolerance	±10%			
Standard voltage	220VAC, 110VAC, 24VDC The other voltage is optional			
Power consumption	AC110V:17.6VA, AC220V:18.1VA, DC: 15W			
Net weight	740g	740g	945g	1485g

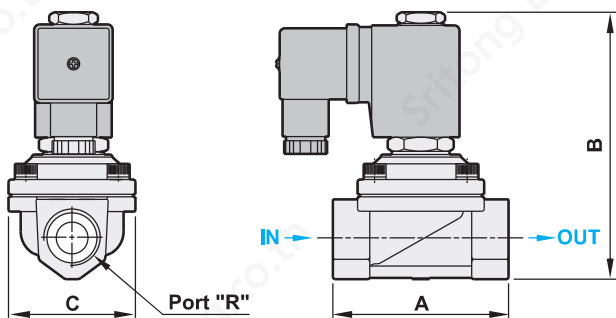
Seal material selection guide

Seal	Temperature range	Suitable fluid	Unsuitable fluid
NBR	-15°C ~ 80°C	Air, Water, Neutral gases, Mineral oil	Fuel oil, Gasoline and Hi-test gasoline, Diesel fuel
VITON	-10°C ~ 130°C	Fuel oil, Gasoline and Hi-test gasoline, Diesel fuel	Hot water, Steam, Brake oil (ATE Blue)
EPDM	-5°C ~ 160°C	Hot water, Detergent liquid	Mineral oil, Gasoline

Dimensions



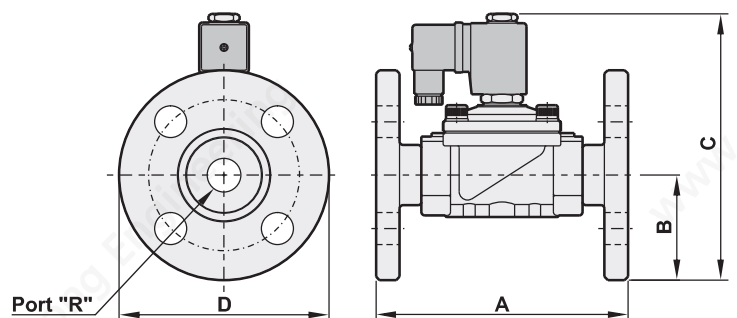
PU220A-03, 04, 06, 08 Standard type



(mm)

Model	PU220A-03	PU220A-04	PU220A-06	PU220A-08
R	3/8"	1/2"	3/4"	1"
A	66.5	66.5	71.0	96.0
B	101.0	101.0	107.0	120.5
C	48.0	48.0	58.0	70.0

PU220A-03, 04, 06, 08 Flange type (10K)

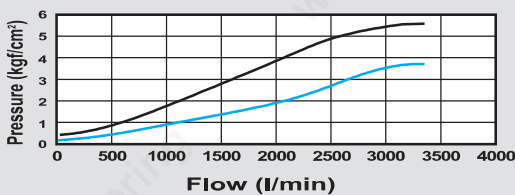


(mm)

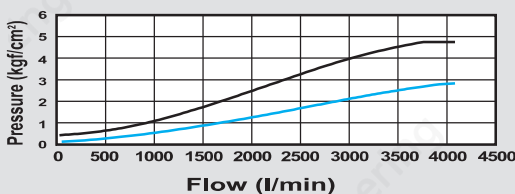
Model	PU220AF-03	PU220AF-04	PU220AF-06	PU220AF-08
R	3/8"	1/2"	3/4"	1"
A	110.0	110.0	120.0	150.0
B	45.0	47.5	50.0	62.5
C	130.5	133.0	138.5	158.5
D	90.0	95.0	100.0	125.0

Flow chart

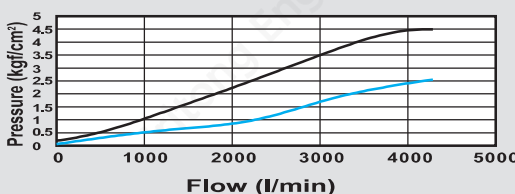
Model: PU220A-03, 04



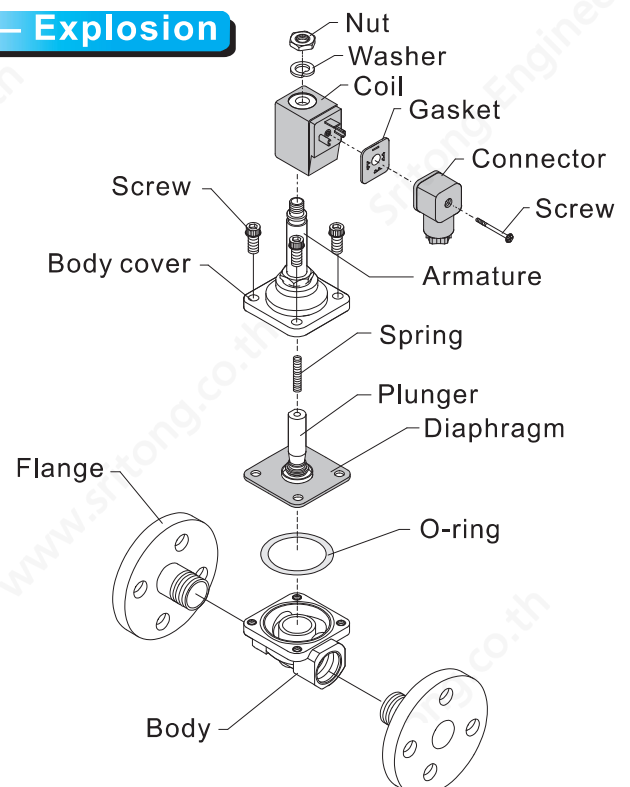
Model: PU220A-06



Model: PU220A-08



Explosion



Features

- * Direct acting.
- * Quick response.
- * Stainless steel body and stem provide exceptional durability.
- * Flange type is available for JIS 10K, ANSI 150LB and PN16.
- * Ex-proof coil T4 as optional accessory.
- * Timer for setting on/off time as optional accessory.



How to order

SPU220	A	E	F - O4	N - S	1	LED	E		
Stainless steel 2/2 way direct acting	Series	Diaphragm	Flange type	Port size	Thread	Solenoid	Voltage	LED	Ex-proof coil
	Blank	VITON	F 10K	04 1/2"	Blank PS	1 110VAC	Blank W/O LED		
	E	EPDM	F3 150LB	06 3/4"	N NPT	2 220VAC			
	B	NBR	F4 PN16 only for A series			9 24VDC			

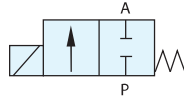
Specifications

Model	SPU220A-04	SPU220A-06
Port size	1 / 2"	3 / 4"
Fluid	Compressed air (light oil, water)	
Orifice	13mm	20mm
Sectional area	76mm ²	162mm ²
Acting	Direct acting	
Construction	Diaphragm	
Operating pressure range AC	0 ~ 7 kgf/cm ²	
Operating pressure range DC	0 ~ 6 kgf/cm ²	0 ~ 5 kgf/cm ²
Max. operating pressure	10 kgf/cm ²	
Body material	Stainless steel SUS316	
Fluid temperature	-10°C ~ 185°C	-10°C ~ 90°C
Ambient temperature	-20°C ~ 60°C	-10°C ~ 60°C
Installation	Horizontal	
Duty cycle	100% ED	
Coil type	DIN	
Protection class	IP65 (DIN 40 050)	
Insulation class	F	
Voltage tolerance	±10%	
Standard voltage	220VAC, 110VAC, 24VDC The other voltage is optional	
Power consumption	AC110V:17.6VA, AC220V:18.1VA, DC: 15W	
Net weight	715g	920g

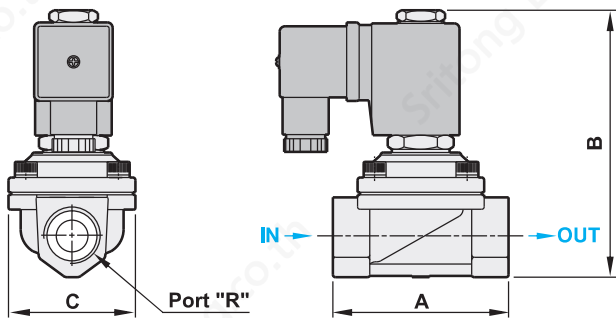
Seal material selection guide

Seal	Temperature range	Suitable fluid	Unsuitable fluid
NBR	-15°C ~ 80°C	Air, Water, Neutral gases, Mineral oil	Fuel oil, Gasoline and Hi-test gasoline, Diesel fuel
VITON	-10°C ~ 130°C	Fuel oil, Gasoline and Hi-test gasoline, Diesel fuel	Hot water, Steam, Brake oil (ATE Blue)
EPDM	-5°C ~ 160°C	Hot water, Detergent liquid	Mineral oil, Gasoline

Dimensions

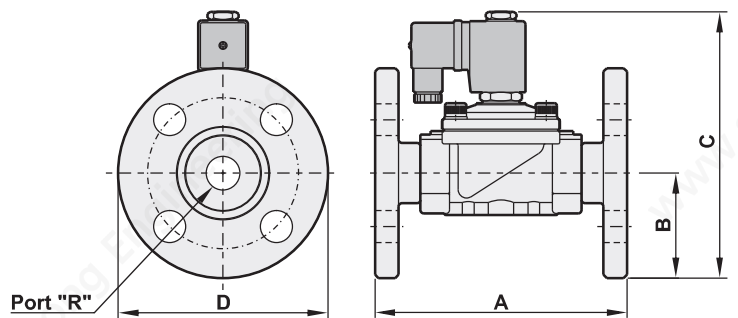


SPU220A-04, 06 Standard type



(mm)

SPU220A-04, 06 Flange type (10K)



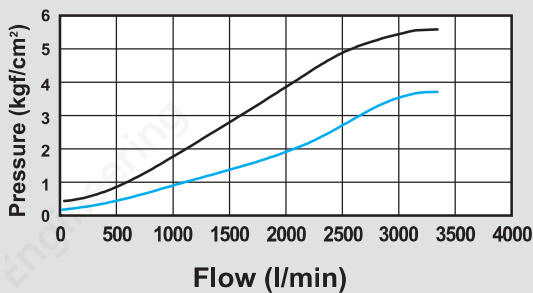
(mm)

Model	SPU220A-04	SPU220A-06
R	1/2"	3/4"
A	66.5	71.0
B	101.0	107.0
C	48.0	58.0

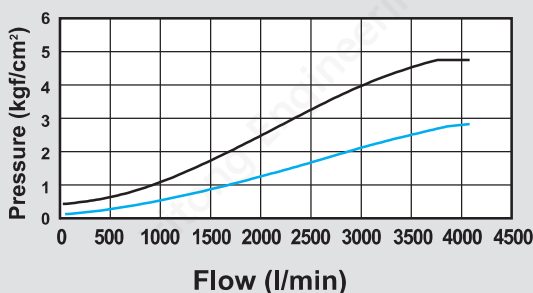
Model	SPU220AF-04	SPU220AF-06
R	1/2"	3/4"
A	110.0	120.0
B	47.5	50.0
C	133.0	138.5
D	95.0	100.0

Flow chart

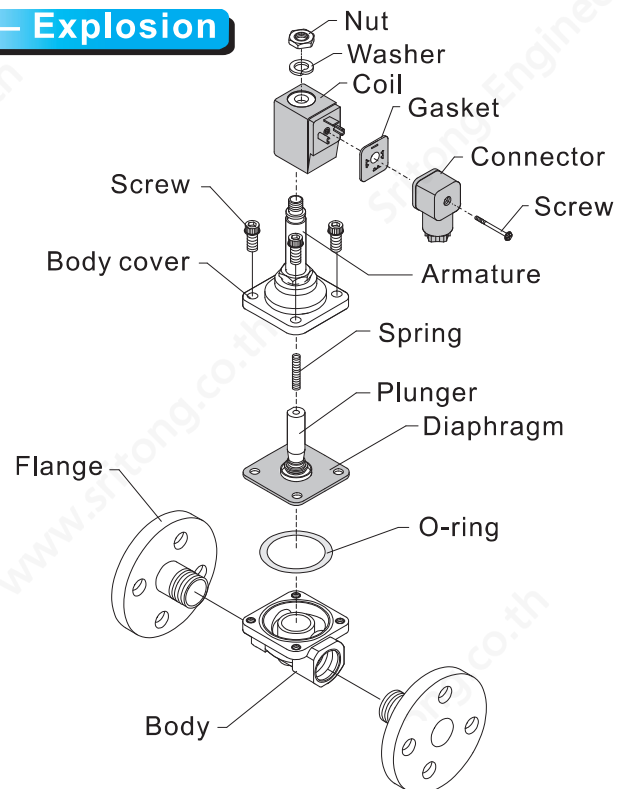
Model: SPU220A-04



Model: SPU220A-06

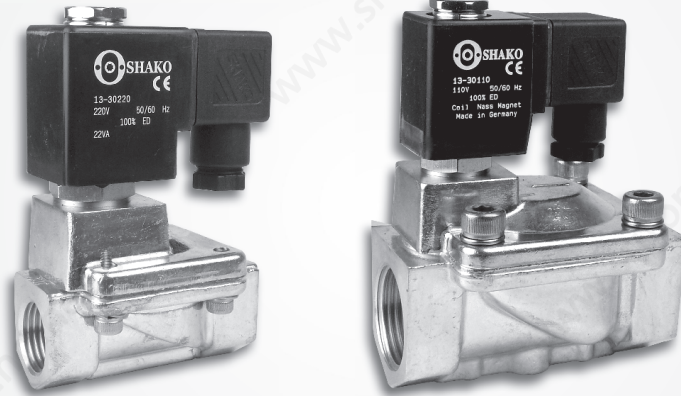


Explosion



Features

- * Pilot acting for low starting pressure.
- * Large flow rate and high working pressure.
- * Quick response.
- * Stainless steel stem provides exceptional durability.
- * Flange type is available for JIS 10K, ANSI 150LB and PN16.
- * Ex-proof coil T4 as optional accessory.
- * Timer for setting on/off time as optional accessory.



How to order

PU225	A	N	V	F	-	O3	N	-	S	1	LED	E				
Brass 2/2 way pilot acting	Series	Acting style		Diaphragm		Flange type		Port size		Thread		Solenoid	Voltage	LED	Ex-proof coil	
	A Standard	Blank	Normally closed	Blank	NBR	F	10K	03	3/8"	Blank	PS		1	110VAC	Blank	W/O LED
	H High pressure 03,04,06,08	N	Normally open	V	VITON	F3	150LB	04	1/2"	N	NPT		2	220VAC		
				E	EPDM	F4	PN16	06	3/4"				9	24VDC		
								08	1"							
								12	1-1/4"							
								14	1-1/2"							

* New piston type high pressure valve is available, Please contact our sales for more details.

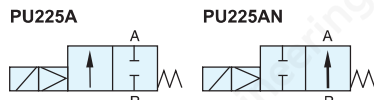
Specifications

Model	PU225A-03	PU225A-04	PU225A-06	PU225A-08	PU225A-12	PU225A-14
Port size	3/8"	1/2"	3/4"	1"	1-1/4"	1-1/2"
Fluid	Compressed air (light oil, water)					
A series orifice	13mm		25mm		38mm	
H series orifice	8mm ²		13mm ²		—	
Sectional area	88mm ²		230mm ²		404mm ²	552mm ²
Acting	Pilot acting					
Construction	Diaphragm					
Operating pressure range	A series:0.5~10kgf/cm ² , H series: PU225H-03/04: 0.5~40kgf/cm ² , PU225H-06/08:0.5~35kgf/cm ²					
Max. operating pressure	A series: 15 kgf/cm ² , H series:PU225H-03/04:50 kgf/cm ² , PU225H-06/08:40 kgf/cm ²					
Body material	Die-cast Brass					
Fluid temperature	-10°C ~ 90°C					
Ambient temperature	-10°C ~ 60°C					
Installation	Horizontal					
Duty cycle	100% ED					
Coil type	DIN					
Protection class	IP65 (DIN 40 050)					
Insulation	F					
Voltage tolerance	±10%					
Standard voltage	220VAC, 110VAC, 24VDC The other voltage is optional					
Power consumption	Normally closed AC110V:17.6VA, AC220V:18.1VA, DC: 15W ; Normally open AC: 17.8VA, DC: 15W					
Net weight	775g		1550g		2820g	
H series	Only available for port size 3/8", 1/2", 3/4", 1"					

Seal material selection guide

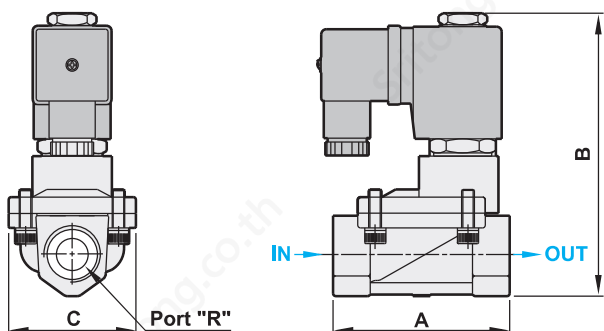
Seal	Temperature range	Suitable fluid	Unsuitable fluid
NBR	-15°C ~ 80°C	Air, Water, Neutral gases, Mineral oil	Fuel oil, Gasoline and Hi-test gasoline, Diesel fuel
VITON	-10°C ~ 130°C	Fuel oil, Gasoline and Hi-test gasoline, Diesel fuel	Hot water, Steam, Brake oil (ATE Blue)
EPDM	-5°C ~ 160°C	Hot water, Detergent liquid	Mineral oil, Gasoline

Dimensions



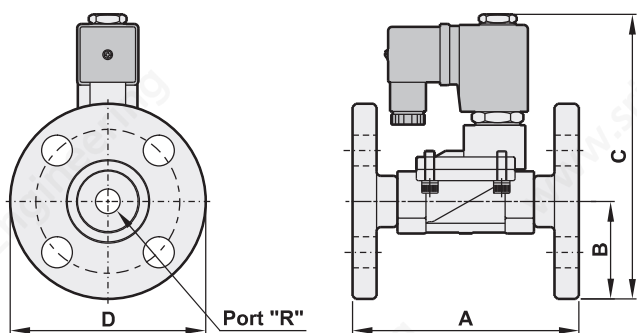
Explosion

PU225A Standard type



Model	PU225A-03	PU225A-04	PU225A-06	PU225A-08	PU225A-12	PU225A-14
R	3/8"	1/2"	3/4"	1"	1 1/4"	1 1/2"
A	66.5	66.5	100.0	100.0	131.0	131.0
B	106.5	106.5	126.0	126.0	145.5	145.5
C	48.0	48.0	70.0	70.0	96.0	96.0

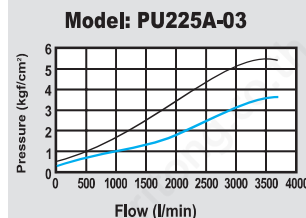
PU225A Flange type (10K)



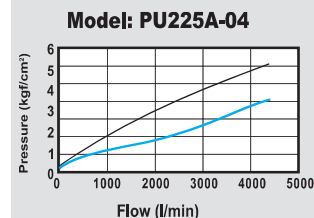
Model	PU225AF-03	PU225AF-04	PU225AF-06	PU225AF-08	PU225AF-12	PU225AF-14
R	3/8"	1/2"	3/4"	1"	1 1/4"	1 1/2"
A	110.0	110.0	145.0	150.0	180.0	180.0
B	45.0	47.5	50.0	62.5	67.5	70.0
C	136.0	138.5	153.0	165.5	173.0	182.5
D	90.0	95.0	100.0	125.0	135.0	140.0

Flow chart

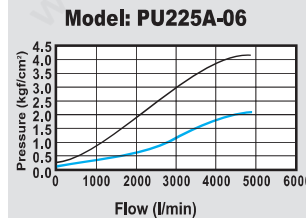
3/8" Pilot acting



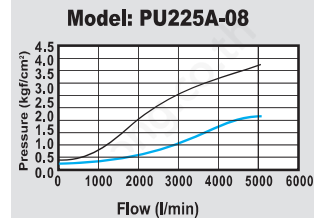
1/2" Pilot acting



3/4" Pilot acting

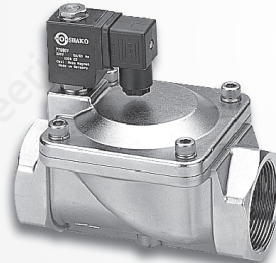
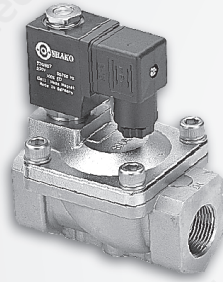


1" Pilot acting



Features

- * Pilot acting for low starting pressure.
- * Large flow rate and high working pressure.
- * Quick response.
- * Stainless steel body and stem provide exceptional durability.
- * Flange type is available for JIS 10K, ANSI 150LB and PN16.
- * Ex-proof coil T4 as optional accessory.
- * Timer for setting on/off time as optional accessory.



How to order

SPU225	A	N	E	F	-	O3	N	-	S	1	LED	E				
Stainless steel 2/2 way pilot acting	Series	Acting style		Diaphragm		Flange type		Port size		Thread		Solenoid	Voltage	LED	Ex-proof coil	
	A Standard	Blank	Normally closed	Blank	VITON	F	10K	03	3/8"	Blank	PS		1 110VAC	Blank	W/O LED	
		N	Normally open	B	NBR	F3	150LB	04	1/2"	N	NPT		2 220VAC			
				E	EPDM	F4	PN16	06	3/4"				9 24VDC			
								08	1"							
								12	1-1/4"							
								14	1-1/2"							
								20	2"							

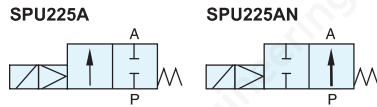
Specifications

Model	SPU225A-03	SPU225A-04	SPU225A-06	SPU225A-08	SPU225A-12	SPU225A-14	SPU225A-20
Port size	3/8"	1/2"	3/4"	1"	1-1/4"	1-1/2"	2"
Fluid	Compressed air (light oil, water)						
A series orifice	13mm		25mm		38mm		50mm
Sectional area	88mm ²		230mm ²		404mm ²		552mm ²
Acting	Pilot acting						
Diaphragm	VITON (Standard), NBR, EPDM (Option)						
Operating pressure range	0.5 ~ 10 kgf/cm ²						
Max. operating pressure	15 kgf/cm ²						
Body material	Stainless steel SUS316						
Fluid temperature	-10°C ~ 90°C						
Ambient temperature	-10°C ~ 60°C						
Installation	Horizontal						
Duty cycle	100% ED						
Coil type	DIN						
Protection class	IP65 (DIN 40 050)						
Insulation class	F						
Voltage tolerance	±10%						
Standard voltage	220VAC, 110VAC, 24VDC The other voltage is optional						
Power consumption	Normally closed AC110V:17.6VA, AC220V:18.1VA, DC: 15W ; Normally open AC: 17.8VA, DC: 15W						
Net weight	775g		1550g		2820g		4665g

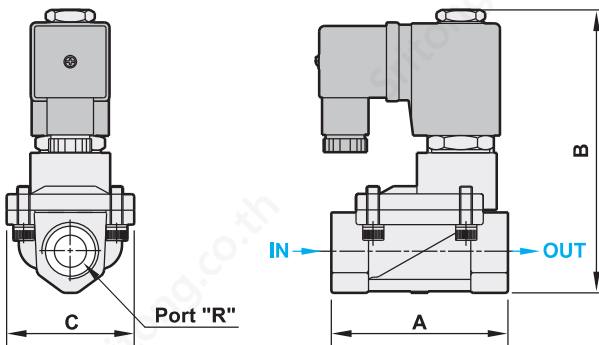
Seal material selection guide

Seal	Temperature range	Suitable fluid	Unsuitable fluid
NBR	-15°C ~ 80°C	Air, Water, Neutral gases, Mineral oil	Fuel oil, Gasoline and Hi-test gasoline, Diesel fuel
VITON	-10°C ~ 130°C	Fuel oil, Gasoline and Hi-test gasoline, Diesel fuel	Hot water, Steam, Brake oil (ATE Blue)
EPDM	-5°C ~ 160°C	Hot water, Detergent liquid	Mineral oil, Gasoline

Dimensions



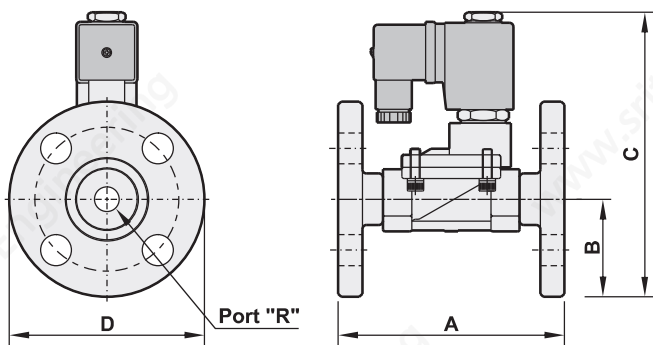
SPU225A Standard type



(mm)

Model	SPU225A-03	SPU225A-04	SPU225A-06	SPU225A-08	SPU225A-12	SPU225A-14	SPU225A-20
R	3/8"	1/2"	3/4"	1"	1 1/4"	1 1/2"	2"
A	66.5	66.5	100.0	100.0	131.0	131.0	160.0
B	106.5	106.5	126.5	126.5	145.5	145.5	160.5
C	48.0	48.0	70.0	70.0	96.0	96.0	112.0

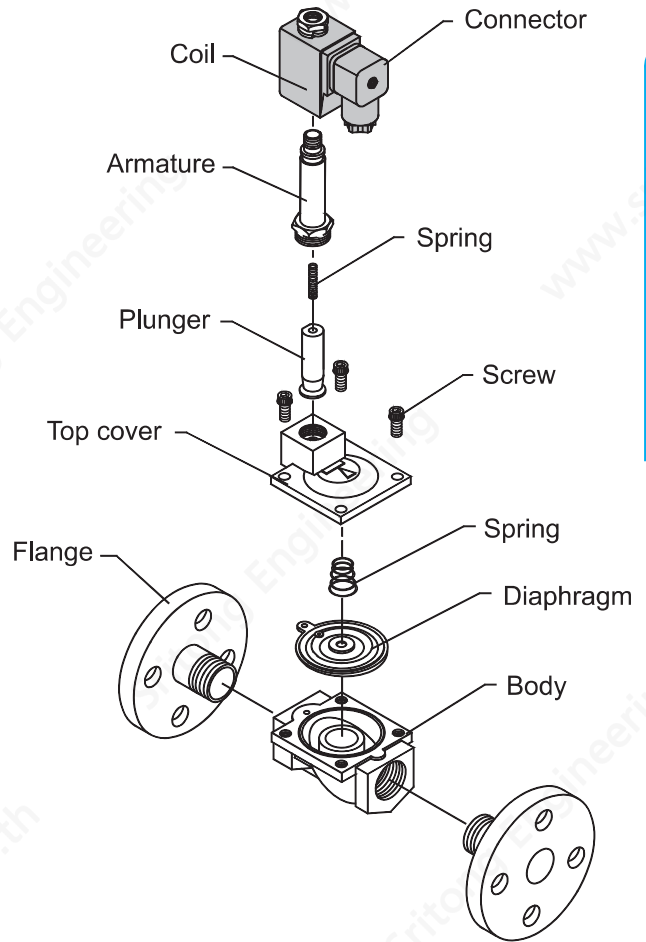
SPU225A Flange type (10K)



(mm)

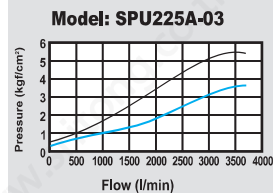
Model	SPU225AF-03	SPU225AF-04	SPU225AF-06	SPU225AF-08	SPU225AF-12	SPU225AF-14	SPU225AF-20
R	3/8"	1/2"	3/4"	1"	1 1/4"	1 1/2"	2"
A	110.0	110.0	149.0	150.0	180.0	180.0	210.0
B	45.0	47.5	50.0	62.5	67.5	70.0	77.5
C	137.0	139.5	152.5	164.0	173.0	182.5	210.0
D	90.0	95.0	100.0	125.0	135.0	140.0	155.0

Explosion

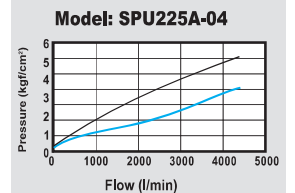


Flow chart

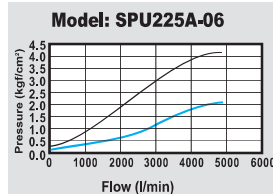
3/8" Pilot acting



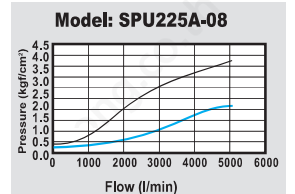
1/2" Pilot acting



3/4" Pilot acting

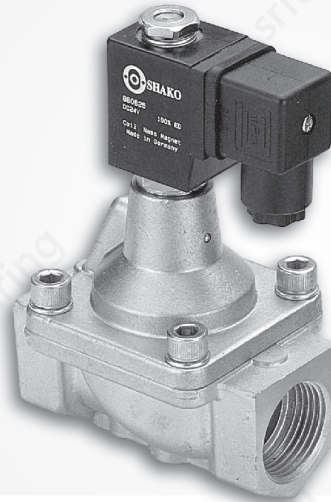


1" Pilot acting



Features

- * Pilot acting for low starting pressure.
- * Large flow rate.
- * Quick response.
- * Specially for steam use.
- * Flange type is available for JIS 10K, ANSI 150LB and PN16.
- * Ex-proof coil T4 as optional accessory.
- * Timer for setting on/off time as optional accessory.



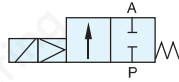
How to order

PU225	S	F - O3	N - S	1	LED	E		
Brass 2/2 way pilot acting	Series	Flange type	Port size	Thread	Solenoid	Voltage	LED	Ex-proof coil
	S Steam series	F 10K F3 150LB F4 PN16	O3 3/8" O4 1/2" O6 3/4" O8 1"	Blank PS N NPT		1 110VAC 2 220VAC 9 24VDC	Blank/W/O LED	

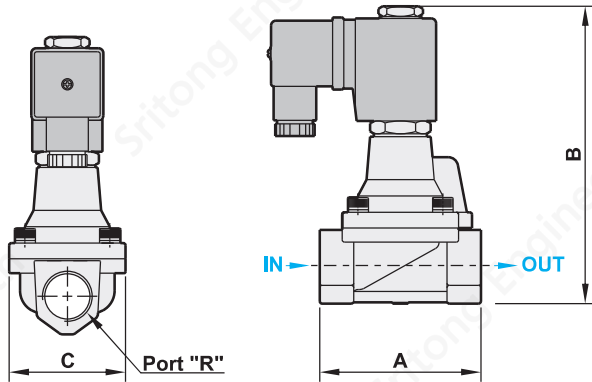
Specifications

Model	PU225S-03	PU225S-04	PU225S-06	PU225S-08
Port size	3/8"	1/2"	3/4"	1"
Fluid	Compressed air, Hot water, Steam			
Orifice	13mm		25mm	
CV value	4.5		12	
Sectional area	88mm ²		230mm ²	
Acting	Pilot acting			
Construction	Piston			
Operating pressure range	0.5 ~ 10 kgf/cm ²			
Max. operating pressure	15 kgf/cm ²			
Body material	Die-cast brass			
Piston ring	SUS 304			
Fluid temperature	-10°C ~ 185°C			
Ambient temperature	-20°C ~ 60°C			
Installation	Horizontal			
Duty cycle	100% ED			
Coil type	DIN			
Protection class	IP65 (DIN 40 050)			
Insulation class	F			
Voltage tolerance	±10%			
Standard voltage	220VAC, 110VAC, 24VDC The other voltage is optional			
Power consumption	AC110V:17.6VA, AC220C:18.1VA, DC: 15W			
Net weight	860g	840g	1800g	1750g

Dimensions



PU225S Standard type



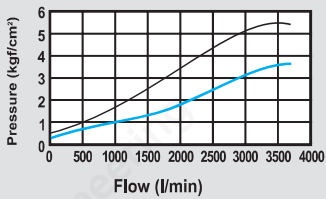
(mm)

Model	PU225S-03	PU225S-04	PU225S-06	PU225S-08
R	3/8"	1/2"	3/4"	1"
A	66.5	66.5	100.0	100.0
B	106.5	106.5	126.5	126.5
C	48.0	48.0	70.0	70.0

Flow chart

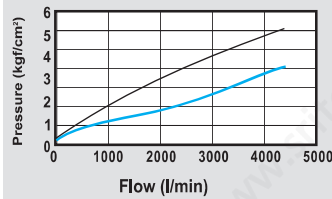
3/8" Pilot acting

Model: PU225S-03



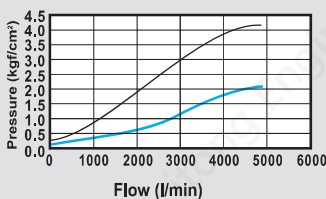
1/2" Pilot acting

Model: PU225S-04



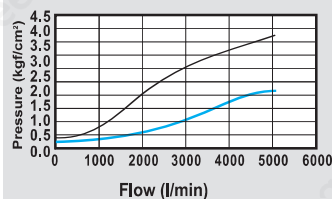
3/4" Pilot acting

Model: PU225S-06

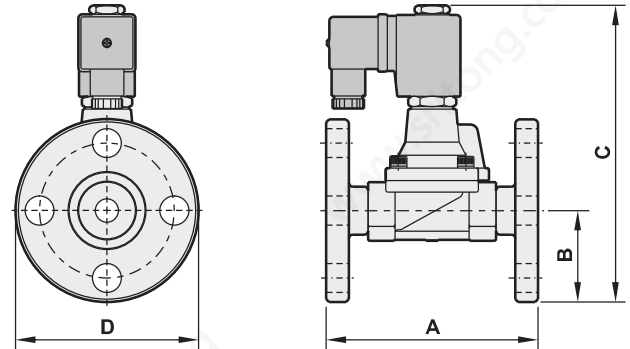


1" Pilot acting

Model: PU225S-08



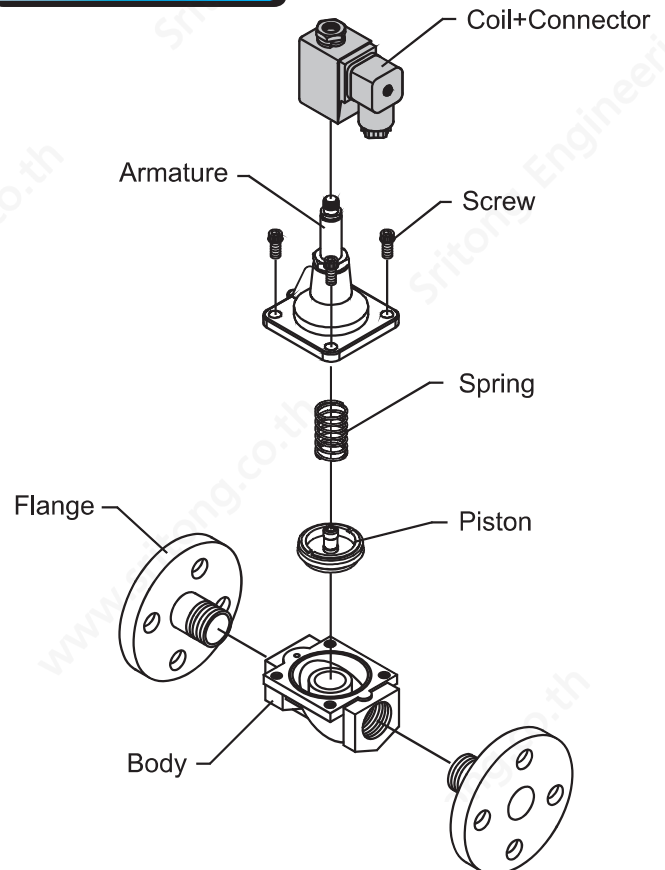
PU225S Flange type (10K)



(mm)

Model	PU225SF-03	PU225SF-04	PU225SF-06	PU225SF-08
R	3/8"	1/2"	3/4"	1"
A	110.0	110.0	148.0	150.6
B	45.0	47.5	50.0	62.5
C	151.7	154.2	183.0	191.0
D	90.0	95.0	100.0	125.0

Explosion



Features

- * Direct acting and quick response.
- * Suitable for acid and alkaline chemical fluid.
- * Fluid should be liquid. Solid media is forbidden.
- * Horizontal installation is required.



How to order

PE220

Anti-acid&alkali teflon
2/2 way direct acting

03

Port size	
03	3/8"
04	1/2"

N

Thread	
Blank	PS
N	NPT

S

Solenoid

1

Voltage	
1	110VAC
2	220VAC
9	24VDC

LED

LED	
Blank	W/O LED

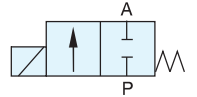
E

Ex-proof coil

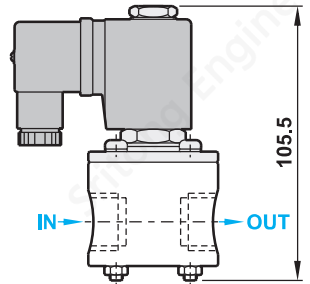
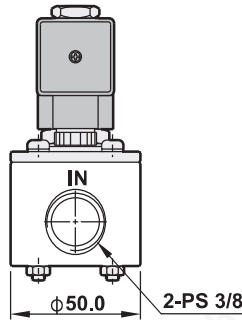
Specifications

Model	PE220-03	PE220-04
Port size	3/8"	1/2"
Fluid	Pure water, Chemical acid & alkali liquid	
Orifice	5mm	
Acting	Direct acting	
Diaphragm	NBR PTFE	
Operating pressure range	0.1 ~ 1 kgf/cm ²	
Max. operating pressure	1 kgf/cm ²	
Body material	Teflon	
Fluid temperature	-5°C ~ 90°C	
Ambient temperature	-20°C ~ 60°C	
Installation	Horizontal	
Duty cycle	100% ED	
Coil type	DIN	
Protection class	IP65 (DIN 40 050)	
Insulation class	F	
Voltage tolerance	±10%	
Standard voltage	220VAC, 110VAC, 24VDC The other voltage is optional	
Power consumption	AC110V:17.6VA , AC220V:18.1VA , 24VDC:15W	
Net weight	440g	

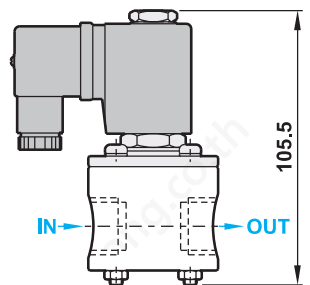
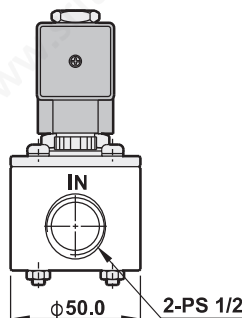
Dimensions



PE220-03



PE220-04



Features

- * Solenoid valve controller.
- * Selectable timing range.
- * 24-240VAC/DC 50/60Hz.
- * DIN 43650 ISO-4400/6952.
- * IP65 NEMA 4.
- * Resettable.

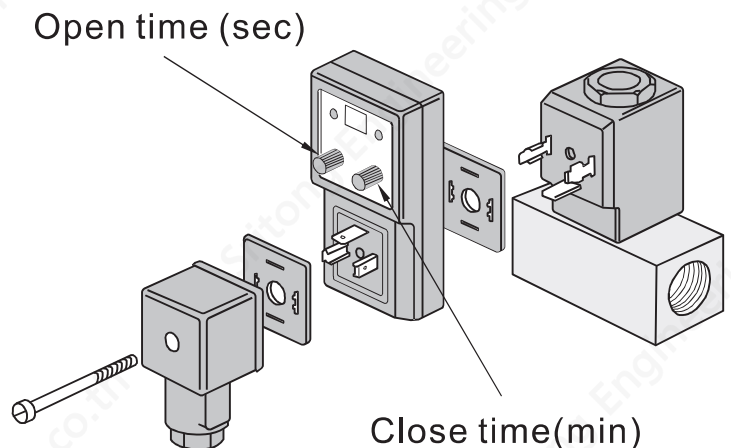
Applications

- * Auto drain valve: Automatic discharge of condensate.
- * Sampling(gas or liquid), Air dryers.
- * Effluent sampling.
- * Sprinkler systems.
- * Pneumatic vibration systems(eg. Powder silos).
- * Automatic lubrication systems.

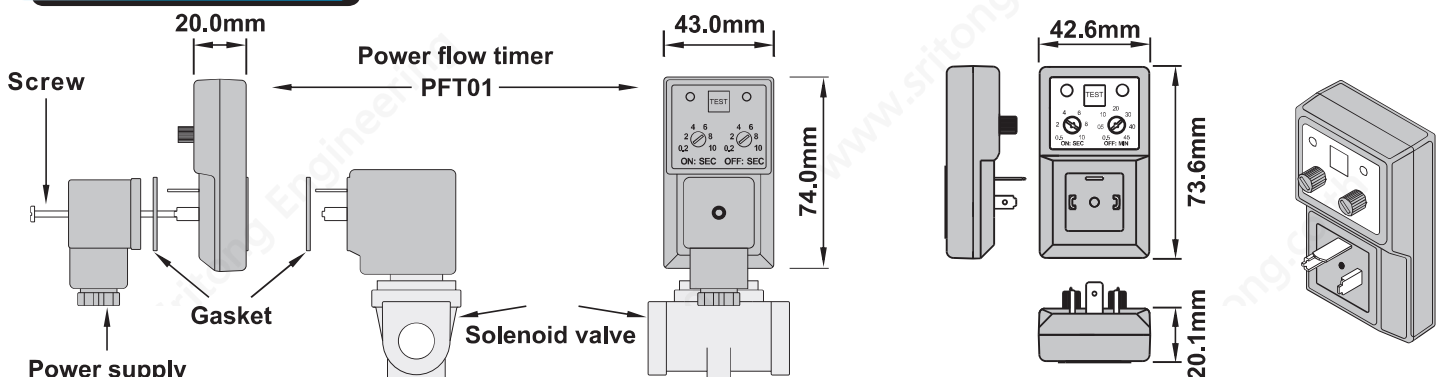
Specifications

Model	Z10100
Supply voltage	24-240VAC/DC 50/60Hz
Open time range	0.5 to 10 sec.
Close time range	0.5 to 60 min.
Current consumption	4 mA. Max
Operating temperature	-10°C to 50°C
Environment protection	IP65, NEMA IV
Switch capacity	1 Amp.
Inrush current	10 Amps for 10 mSec.
Switch holding voltage	400V
Duty cycle	100%
Switch life	3E8 operations
Repeat accuracy	±1%
Timing temp. coefficient	±0.005°C
Scale accuracy	±10%
Reset/Test	Manual touch switch
Connection	Din 43650 ISO-4400/6952
Indicator	LED's to indicate phases
Design standard	VDE 0100C

Installation

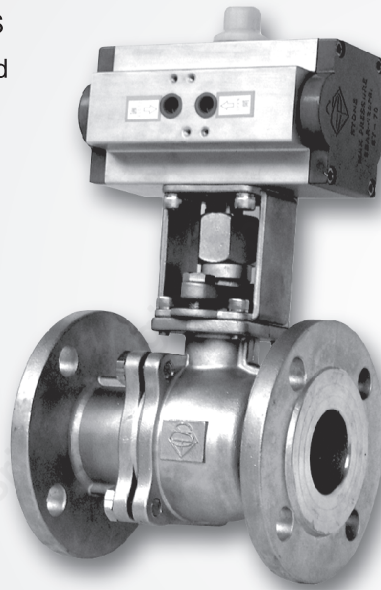


Dimensions

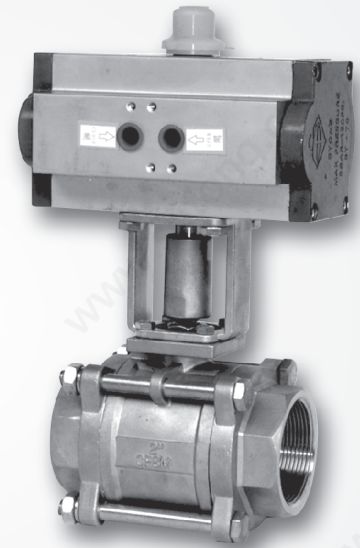


Features

- * The actuator attached CY520-02-S Namur valve for large flow rate and quick acting.
- * Various material for the body of valve (FC, S.S.304, S.S.316).
- * The valve can be installed in vertically or horizontally.
- * Durability and easy maintenance.
- * The valve can be attached with limit switch.
- * Hand wheel design for hand control.



SCY221



SCY222

How to order

SCY221	3	F	CA	—	O4
Cylinder actuated ball valve	3 3 pieces type	Flange type	Actuator	Port size	
Stainless steel SUS304		F 10K F3 150LB	Blank W/O actuator CA Aluminum alloy actuator FC Cast iron actuator	04 1/2" 06 3/4" 08 1" 12 1-1/4"	14 1-1/2" 20 2" 24 2-1/2" 30 3" 40 4" 50 5" 60 6"

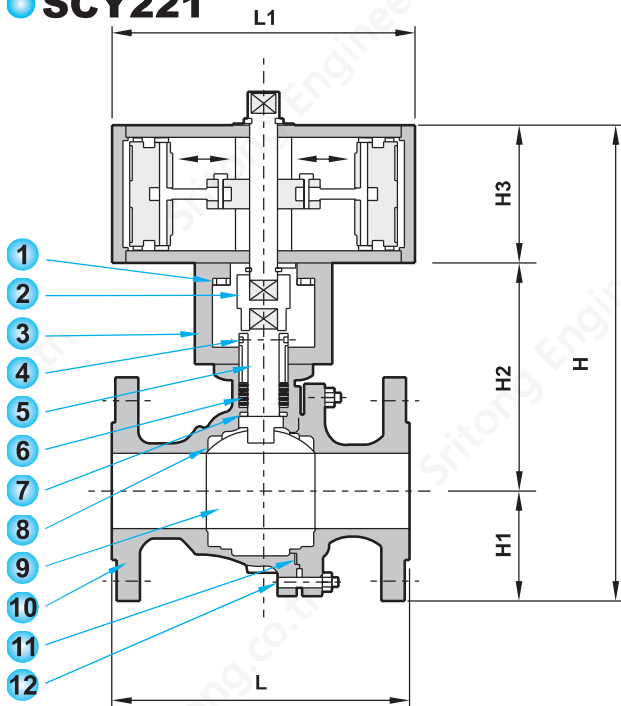
SCY222	3	CA	—	O2	N
Cylinder actuated ball valve	3 3 pieces type	Actuator	Port size	Thread	
Stainless steel SUS316		Blank W/O actuator CA Aluminum alloy actuator FC Cast iron actuator	02 1/4" 03 3/8" 04 1/2" 06 3/4" 08 1" 12 1-1/4" 14 1-1/2" 20 2" 24 2-1/2" 30 3"	Blank N	PT NPT

Specifications

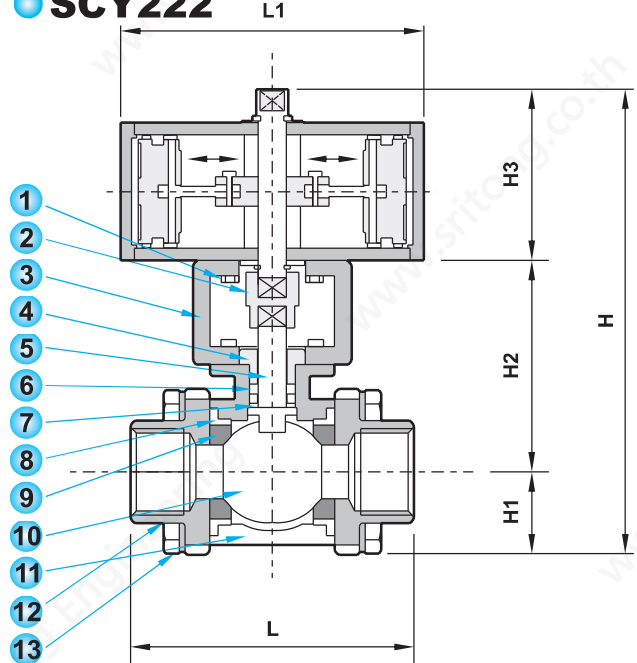
Model	SCY222	SCY221
Port size	Thread type : 1/4" - 3" (02~30)	Flange type : 1/2" - 6" (04~60)
Fluid	Compressed air, Water, Acid & alkaline chemical fluid, steam, oil	
Acting	Double acting	
Construction	Piston	
Operating pressure range	Operating pressure: 4~6kg/cm ² , Working pressure: 1000PSI	
Body material	Thread type : FC SUS316 · Flange type : FC SUS304	
Fluid temperature	-10°C ~ 120°C	
Ambient temperature	-10°C ~ 60°C	

Dimensions

SCY221



SCY222



Size		L	L1	H	H1	H2	H3
Size mm	Size						
15	1/2"	108	109	224	48	97	79
20	3/4"	117	109	228	50	99	79
25	1"	127	131	257	62	105	90
32	1-1/4"	140	165	276	62	105	109
38	1-1/2"	165	165	324	68	147	109
50	2"	178	165	336	77	150	109
65	2-1/2"	190	200	387	86	178	128
80	3"	203	200	396	92	181	128
100	4"	230	249	452	105	204	143
125	5"	300	292	512	132	207	173
150	6"	340	328	588	139	247	202

Size		L	L1	H	H1	H2	H3
Size mm	Size						
11.6	1/4"	65	109	175	20	76	79
12.7	3/8"	65	109	175	20	76	79
15	1/2"	74	109	185	24	82	79
20	3/4"	83	109	191	27	85	79
25	1"	94	131	208	30	88	90
32	2-1/4"	105	165	238	35	94	109
40	2-1/2"	120	165	268	40	119	109
50	2"	136	165	283	47	127	109
65	2-1/2"	167.5	200	337	59	155	128
80	3"	189	200	258	67	168	128

Construction

SCY221

No.	Description	Material	Quantity
1	Bolt	SUS304	4
2	Adaptor	SCS13	1
3	Yoke	SCS13	1
4	Gland	BC-6	1
5	Stem	SUS304	1
6	Packing	TEFLON	4
7	Packing	TEFLON	1
8	Seat ring	TEFLON	2
9	Ball	SCS13	1
10	Body	SCS13	1
11	Gasket	TEFLON	1
12	Bolt	SUS304	4

SCY222

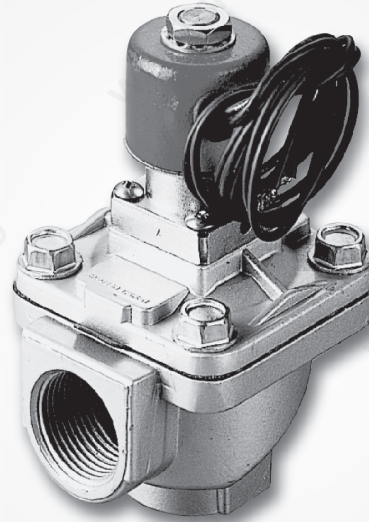
No.	Description	Material	Quantity
1	Bolt	SUS304	4
2	Adaptor	SCS13	1
3	Yoke	SCS13	1
4	Gland	SUS304	1
5	Stem	SUS304	1
6	Gland packing	PTFE	4
7	Packing	Teflon	1
8	Packing	PTFE	1
9	Seat ring	PTFE	1
10	Ball	ASTM A351 GR.CF8M	1
11	Body	ASTM A351 GR.CF8M	1
12	End cap	ASTM A351 GR.CF8M	2
13	Bolt	SUS304	4

Features

- * Pulse type membrane valve.
- * Specially designed for fine dust collection with mass flow and long life.
- * Quick acting.
- * Safe and durable.
- * Aluminum body. Piping adaptor is available to offer.

Cautions

Humidity of fluid should stay in low status to avoid solidification damage when temperature is low.



How to order

DC220

2/2 way Dust collector valve

06

Port size

06	3/4"
08	1"
14	1-1/2"
20	2"
24	2-1/2"
30	3"

N

Thread

Blank	PS
N	NPT

S

Solenoid

1

Voltage

1	110VAC
2	220VAC
9	24VDC

D

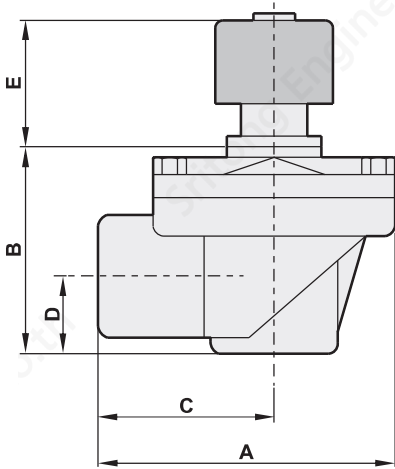
Coil type

Blank	Lead wire
D	DIN

Specifications

Model	DC220					
Port size	3/4"	1"	1-1/2"	2"	2-1/2"	3"
CV value	11.2	18.5	43	60	120	130
Orifice	21mm	34mm	42mm	66mm	66mm	82mm
Body material	Aluminum alloy					
Operating pressure range	0.5 ~ 7.5 kgf/cm ²					
Ambient temperature	-20°C ~ 85°C					
Electrical pulse length	60 m/s					
Peak pressure	3.5 kgf/cm ²					
Total pulse length	80 m/s					
Open time	2.3 m/s					
Close time	20 m/s					
Volume per pulse	60 Ndm ³					
Duty cycle	100%					
Coil type	DIN or lead wire					
Protection class	IP65 (DIN 40 050)					
Insulation class	F					
Voltage tolerance	±10%					
Standard voltage	220VAC, 110VAC, 24VDC The other voltage are optional					

Dimensions



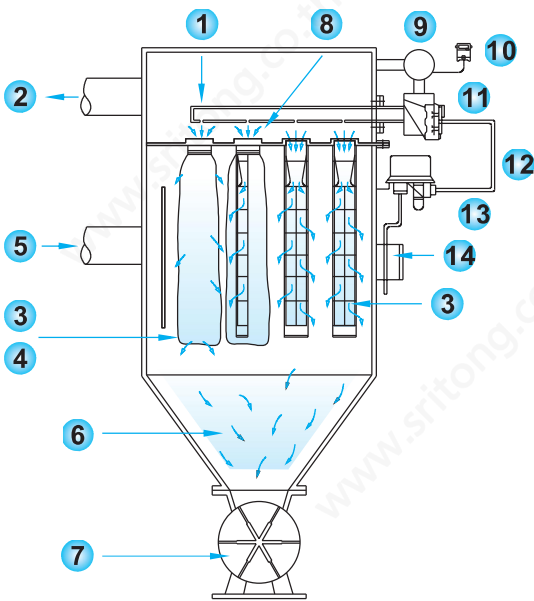
OPERATING THEORY

- * The diaphragm is lifted to open the valve when coil is energized.
- * The diaphragm is dropped to close the valve when coil is not energized.
- * Diaphragm is changeable, open the valve to change broken diaphragm into new one.

Unit : mm

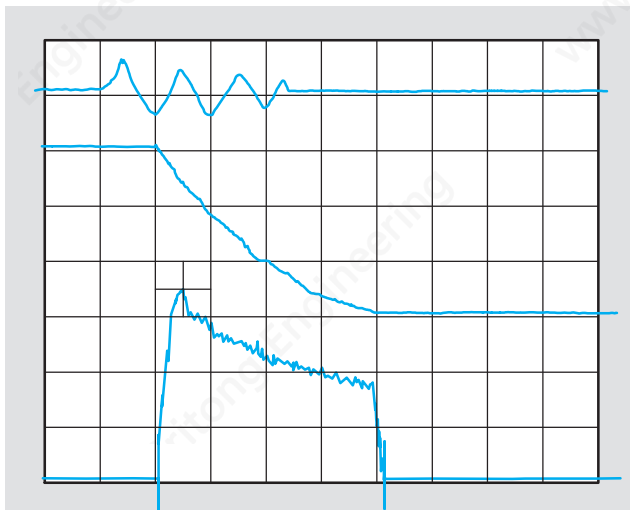
Model	Port size	A	B	C	D	E
DC220-06	3/4"	78	65	43	22	65
DC220-08	1"	92	80	52	37	65
DC220-14	1-1/2"	130	90	73	32	65
DC220-20	2"	186	145	103	46	73
DC220-24	2-1/2"	186	145	103	46	73
DC220-30	3"	228	170	125	55	73

MATERIAL LIST



- 1. Compressed air jet
- 2. Clean air exhaust
- 3. Filter housing
- 4. Filter bag
- 5. Dirty air intake
- 6. Dust collector hopper
- 7. Rotary material discharge valve
- 8. Win's tube
- 9. Air supply
- 10. Pressure switch
- 11. Diaphragm valve
- 12. (Auxiliary)air control pipe
- 13. Magnetic valve
- 14. Solid state sequential controller

Diaphragm valve data chart



Mounting

There are four directions selection for wire plug magnetic valve, the connection outlet shall face downward.

