

# Pressure Switch SP Series

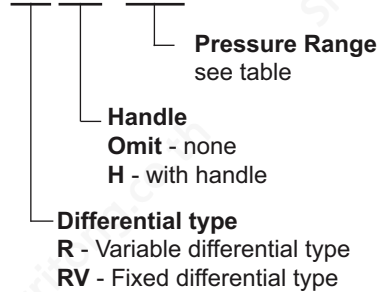


## Features and Handling

- Working pressure from 7 bar (102 psi) up to 700 bar (10,150 psi)
- Proof pressure up to 1150 bar (16,675 psi)
- Accuracy +/- 2%
- Used for Mineral oil or water glycol
- Fluid Temperature -20°C ~ +70 °C
- Ambient Temperature -20°C ~ +60 °C
- Adjustable or Fixed differential pressure setting
- 100 million life cycle test approved (both electric and mechanical)
- Base mounting and thread connection BSPT 3/8" Female (BSPT 1/2" male for SP-R-700 model)
- Can be mount at any direction for friendly operation
- Electrical type SPDT with Electrical cable gland PF1/2"
- Aluminum & Brass housing material
- Easy preset pressure adjustment
- Dustproof and waterproof
- No drain port required

## Order Code and Specification

### SP - R (H) - 250

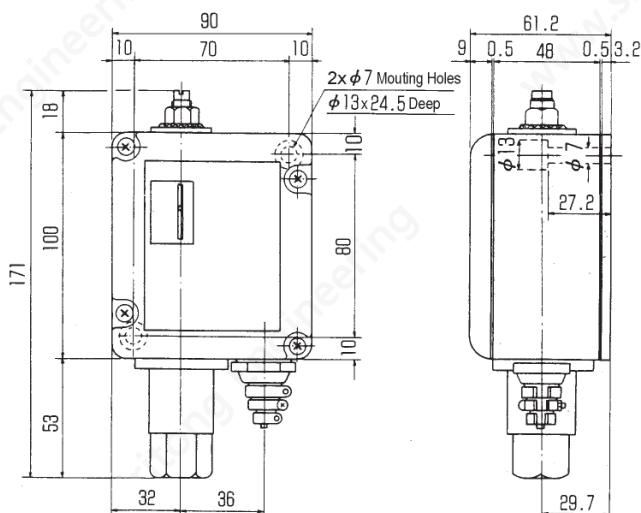


| AC Voltage | Rated Current | DC Voltage | Rated Current |
|------------|---------------|------------|---------------|
| AC 125V    | 15A           | DC 30V     | 6A            |
| AC 250V    | 15A           | DC 125V    | 0.5A          |
| AC 480V    | 15A           | DC 250V    | 0.25A         |

| Part No.      | Maximum Pressure<br>bar (psi) | Pressure Range<br>bar (psi) | Proof Pressure<br>bar (psi) | Variable Differential       | Fixed Differential          |
|---------------|-------------------------------|-----------------------------|-----------------------------|-----------------------------|-----------------------------|
|               |                               |                             |                             | Pressure Range<br>bar (psi) | Pressure Range<br>bar (psi) |
| SP-R(*) - 50  | 50 (725)                      | 7 ~ 50 (102 ~ 725)          | 420 (6,090)                 | 2.9 ~ 5.9 (42 ~ 86)         | 3 (44)                      |
| SP-R(*) - 100 | 100 (1,450)                   | 15 ~ 100 ( 218 ~ 1,450)     | 420 (6,090)                 | 4.9 ~ 9.8 (71 ~ 142)        | 5 (73)                      |
| SP-R(*) - 150 | 150 (2,175)                   | 20 ~ 150 ( 290 ~ 2,175)     | 420 (6,090)                 | 5.9 ~ 11.8 (86 ~ 171)       | 6 ( 87)                     |
| SP-R(*) - 200 | 200 (2,900)                   | 25 ~ 200 ( 363 ~ 2,900)     | 420 (6,090)                 | 6.9 ~ 13.7 (100 ~ 199)      | 7 (102)                     |
| SP-R(*) - 250 | 250 (3,625)                   | 30 ~ 250 ( 435 ~ 3,625)     | 420 (6,090)                 | 8.8 ~ 17.6 (128 ~ 255)      | 9 (130)                     |
| SP-R(*) - 300 | 300 (4,350)                   | 35 ~ 300 ( 508 ~ 4,350)     | 920 (13,340)                | 11.8 ~ 23.5 (171 ~ 341)     | 12 (174)                    |
| SP-R(*) - 500 | 500 (7,250)                   | 55 ~ 500 ( 798 ~ 7,250)     | 920 (13,340)                | 11.8 ~ 23.5 (171 ~ 341)     | 12 (174)                    |
| SP-R(*) - 700 | 700 (10,150)                  | 75 ~ 700 (1,088 ~ 10,150)   | 1150 (16,675)               | 29.4 ~ 58.8 (426 ~ 852)     | 30 (435)                    |

## Installation Dimensions mm

### SP-R, SP-RV



### SP-RH, SP-RVH

