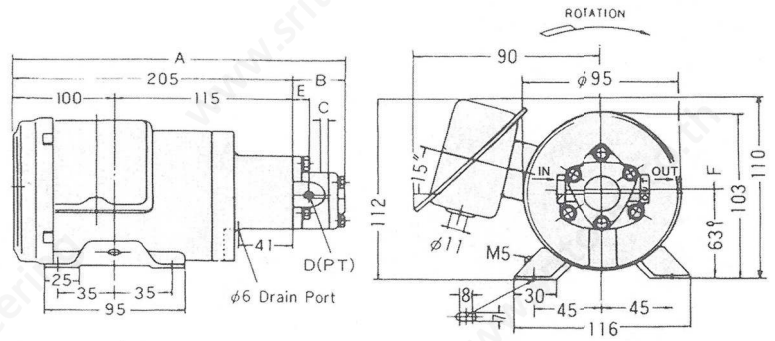


21 1A型油泵浦與馬達組合 (附連軸器)

1A Type Oil Pump with Motor Set.
TYPE:ROP-1MT100-10MA, 11MA, 12MA



電動機規格

額定：連續 絕緣：E級
極數：4P 輸出：0.1kw
電壓(V)：200/200/220 轉動數(ørpm)：1410/1700/1720
頻率(Hz)：50/60/60 電流(A)：0.68/0.62/0.62

Motor Specifications

Rating continuous Insulation Class E
Number of pole 4P Output 0.1kw
Voltage(V) 200/200/220 Speed (rpm) 1410/1700/1720
Frequency(Hz) 50/60/60 Current(A) 0.68/0.62/0.62

規格說明

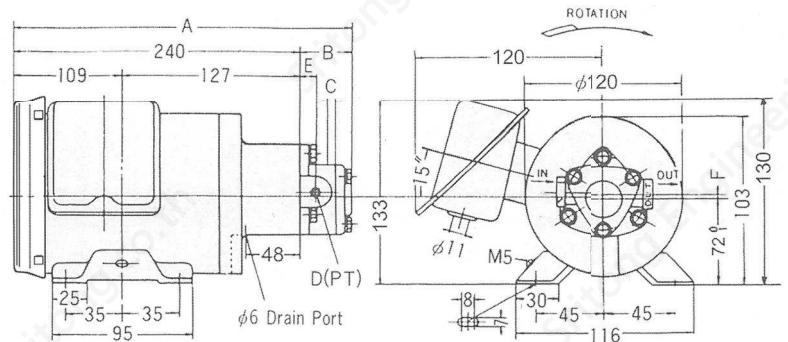
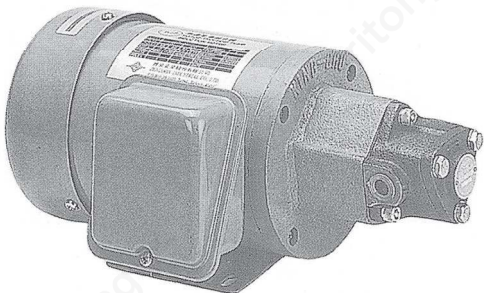
ROP-1MT100-10MAVB (或11MAVB, 12MAVB, 13MAVB)需要附保險閥時，請在泵浦符號末尾加附號VB指定。例：ROP-1MT 100-10MA VB 接地螺栓。

Specifications :

If the pump with relief valve is needed, please make your order by indicating VB at the end of model marking. (Example:ROP-1MT200-10MAVB)

型式 Type	A	B	C	D	E	F	重量
ROP-10MA (1/8 HP)	231	36	5	1/8	11	3	6.1kg
ROP-11MA (1/8 HP)	250	37	9	1/8	11	3	6.1kg
ROP-12MA (1/8 HP)	264	43	15	1/4	11	3	6.2kg

TYPE:ROP-1MT200-10MA. 11MA. 12MA. 13MA



電動機規格

額定：連續 絕緣：E級
極數：4P 輸出：0.2kw
電壓(V)：200/200/220 轉動數(ørpm)：1410/1700/1720
頻率(Hz)：50/60/60 電流(A)：0.68/0.62/0.62

Motor Specifications

Rating continuous Insulation Class E
Number of pole 4P Output 0.2kw
Voltage(V) 200/200/220 Speed (rpm) 1410/1700/1720
Frequency(Hz) 50/60/60 Current(A) 1.2/1.1/1.1

規格說明

ROP-1MT200-10MAVB (或11MAVB, 12MAVB)需要附保險閥時，請在泵浦符號末尾加附號VB指定。例：ROP-1MT 100-10MA VB 接地螺栓。

Specifications :

If the pump with relief valve is needed, please make your order by indicating VB at the end of model marking. (Example:ROP-1MT100-10MAVB)

型式 Type	A	B	C	D	E	F	重量
ROP-1MT200-10MA (1/4 HP)	270	36	5	1/8	11	3	8.4kg
ROP-1MT200-11MA (1/4 HP)	274	36	9	1/8	11	3	8.4kg
ROP-1MT200-12MA (1/4 HP)	280	44	15	1/4	11	3	8.5kg
ROP-1MT200-13MA (1/4 HP)	292	58	27	3/8	14	5.5	8.6kg

* 馬達 / Motor-1/4HP:7.8kg, 1/8HP:5.5kg