

### How to order

Series No.	Port Size	Thread Type
QSC:Flow control valve (precise type)	06:1/8" 08:1/4" 10:3/8" 15:1/2"	Blank: G P : PT T : NPT

**Order sample:**

QSC series flow control valve, 1/4" port size, G thread, the ERP code is QSC-08

### Product Features

2

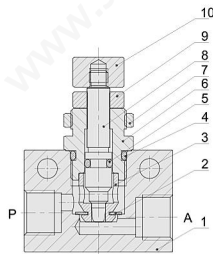
- 1.Compact structure and high precision
- 2.Install in several positions to facilitate ,installation and application
- 3.Apply to exhaust and cut off flow, widely used for cylinder speed adjustment

### Specification

Model (mm)	QSC-06	QSC-08	QSC-10	QSC-15
Working medium	Clean air(After 40 μm filtration )			
Working Pressure (psi)	7~145			
Guaranteed pressure (psi)	217			
Working temperature(F)	-5~60°C(-4~158 F)(No freezing)			
Port size	1/8	1/4	3/8	1/2

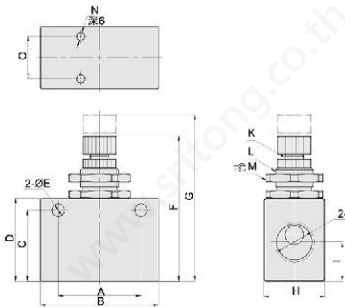
① G、PT、NPT thread type is optional.

### Internal Structure



No.	Name
1	Valve body
2	Diaphragm
3	Throttle body
4	O-ring
5	O-ring
6	Throttle sheath
7	Fixed nut
8	Throttle column
9	Lock nut
10	Adjustment cap

## Main Dimension

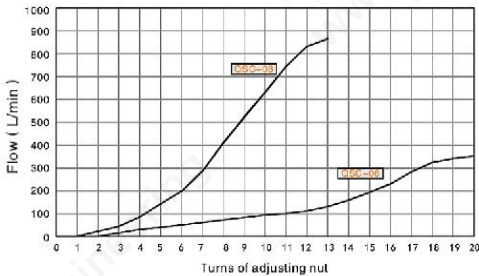


Model	A	B	C	D	E	F	G	H
QSC-06	22	32	20	25	4.3	46	51	15
QSC-08	26	36	23	27	4.3	51	57.5	18
QSC-10	35	50	30	35	5.3	62.5	71.5	26
QSC-15	35	50	30	35	5.3	62.5	71.5	26

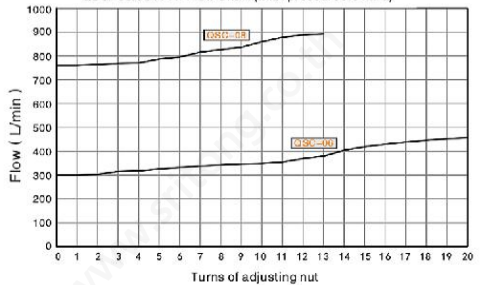
Model	I	J	K	L	M	N	O
QSC-06	8.5	1/8	M5X0.25	M12X0.75	14	—	—
QSC-08	13.3	1/4	M6X0.5	M14X1	17	—	—
QSC-10	16.5	3/8	M8X0.75	M16X1	24	M4X0.7	18
QSC-15	16.5	1/2	M8X0.75	M16X1	24	M4X0.7	18

## Flow Chart

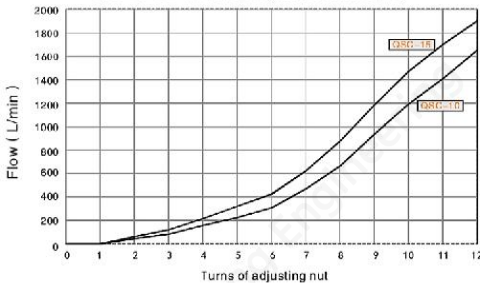
QSC-06/08 P→A Flow Chart (Inlet pressure 0.6 MPa)



QSC-06/08 A→P Flow Chart (Inlet pressure 0.6 MPa)



QSC-10/15 P→A Flow Chart (Inlet pressure 0.6 MPa)



QSC-10/15 A→P Flow Chart (inlet pressure 0.6 MPa)

