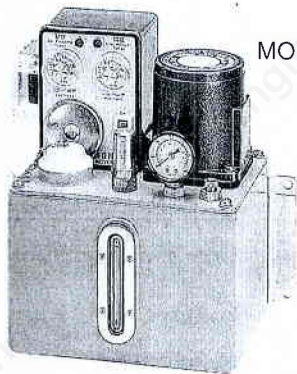


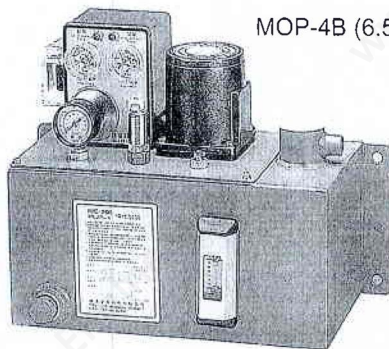
3

I.C. 可調式電動間歇給油泵浦(鐵質油箱)

I.C. Electrically Intermittent Oil Pump (Iron Tank)



MOP-3A

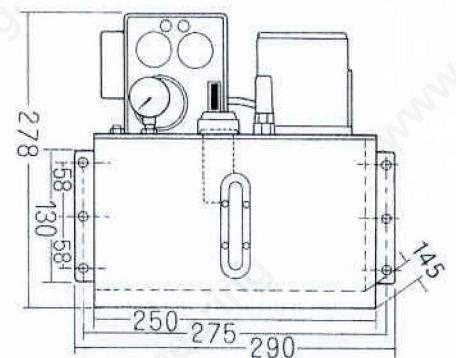
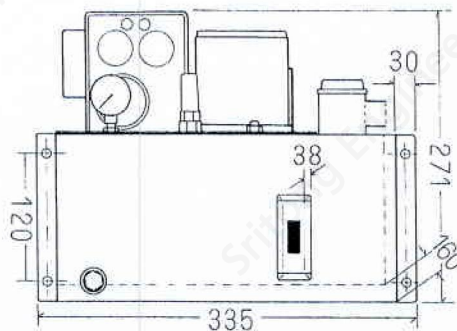
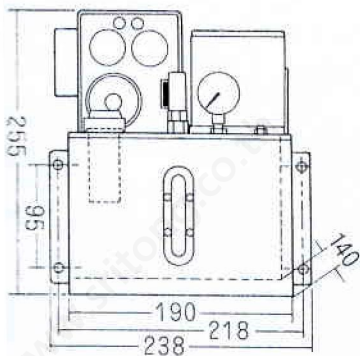


MOP-4B (6.5L)



MOP-4A

(本產品獲中央標準局
專利案 NO.21722 號)



特點：

- 給油時間與給油量之控制，是採用本公司精心設計之I.C. 迴路控制裝置，精確度高且耐用性佳。
- 設有壓力調整閥並裝有壓力表，可依所需在0-15kg/cm²間作適度調整。
- 給油量依你所需，調整那旋鈕至所需之位置，則本機將精確地供應所需之量，充分顯示出本機種之特性。
- 給油方式採連續給油與間歇給油，操作時依你所需，調整時間旋鈕，從0-60(另有0~180分/秒)間作適度的調整。
- 給油泵浦採用最精密、高性能無噪音齒輪幫浦，馬達採用WLP公司之標準馬達。故本裝置使用時寂靜、無聲、耐用性佳。
- 油箱設計，美觀大方，將此產品安裝於貴公司產品上更能襯托出貴公司產品之美，實為相得益彰，美侖無比。
- 本裝置已配上本公司專有之專利品，自動警報與電源自動切斷裝置，以保護你機器之使用安全性。

Specifications

- Oil feeding time and oil feeding amount controlled by special I.C. control designed exclusively by us, highly accurate and enduring in service.
- Complete with pressure control valve and pressure meter permitting adjustments in the range of 0 to 15 kg/cm² as required.
- Oil feed amount adjustable as required by turning the knob to the position appropriate, where upon the unit will supply exactly the amount required.
- Feeding available in continuous supply mode or intermittent supply mode, time knob admitting rotation from 0 to 60(another item 0~180min/sec.) for adjustment.
- Oil feeder pump of the highly accurate and heavy duty WLP pump, motor of the superior induction type motor designed and produced by WLP.
- Oil tank looks beautiful and great, which, once installed onto one of your honorable products, will all the more make it yield a matchless pair.
- This unit has been incorporated with an automatic alarm and power cut-off device, both patented and being proprietary products of this company, altogether to best ensure security to the unit in use. R.O.C. patent number is 21722, your order is highly appreciated anytime.

型 式 TYPE	吐出量 Output	油桶空量 Tank Vol.	吐出壓力 Discharge Pressure	電 壓 Voltage	頻 率 Hz	吐出口徑 Outlet Dia.	轉 速 RPM	電 流 Amp	馬 達 Motor	油 箱 Tank	重 量 w.t / kg
MOP-3A	400cc/min	3000cc	0-15kg/cm ²	110V or 220V	50/60 Hz	4 ø or 6 ø	1460-1500	0.25/0.23A	25 w	鐵 (iron)	7.1
MOP-4A	400cc/min	4500cc	0-15kg/cm ²	110V or 220V	50/60 Hz	4 ø or 6 ø	1460-1500	0.25/0.23A	25 w	鐵 (iron)	7.9
MOP-4B-6.5	400cc/min	6500cc	0-15kg/cm ²	110V or 220V	50/60 Hz	4 ø or 6 ø	1460-1500	0.25/0.23A	25 w	鐵 (iron)	8.7