

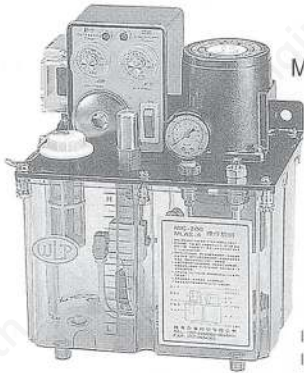
電動式注油器

4

I.C.可調式電動間歇給油泵浦

I.C. Electrically Intermittent Oil Pump

TYPE: MIC-200, 280, 160



MIC-200

I.C.可調式電動間歇給油泵浦
I.C. Electrically Intermittent Oil Pump
TYPE: MIC-200, MIC-280

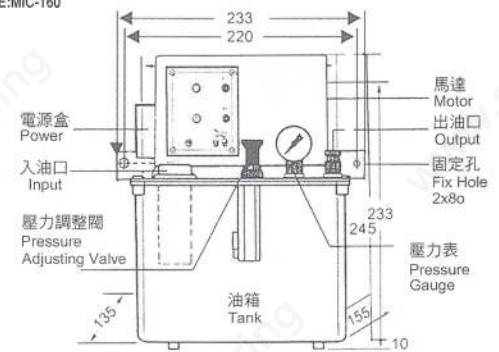
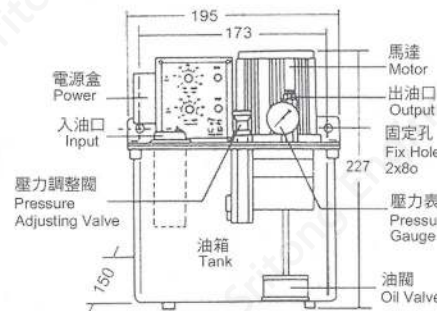
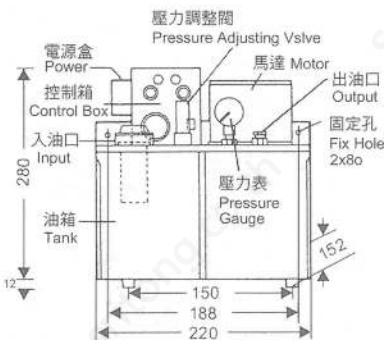


MIC-280

I.C.可調式電動間歇給油泵浦
I.C. Electrically Intermittent Oil Pump
TYPE: MIC-160



MIC-160



規格說明

1. 本油泵採用I.C.電路板控制間歇與給油時間，精度高且耐用性佳。
2. 裝設油量調整旋鈕，可依貴公司機械實際需要，作各種時間條件之調整（1~180分，1~180秒）。
3. 另有壓力調整閥，作為油量與壓力互補之調整：0~15kg。
4. 油壓、壓力表讓您立即知悉此泵浦使用壓力，以便作必要之調整。
5. 透明油箱，讓使用者對注油器內油量多寡能一目了然，並隨時補充油料，免除缺油而損及工作母機。

操作、安裝說明

1. 安裝時；用螺絲將油桶整體定在機體上。
2. 配管；油泵浦出來之出油口管徑為 $\phi 4\text{m/m}$ 或 $\phi 6\text{m/m}$ 鋁、銅或尼龍管配置使用。
3. 接上電源；將鈕至起點位置，待油注滿每一加油孔后，再調整至你所需之動作時間與間歇給油時間的位置，則自動控制裝置將會依你所設定的，精確地動作。
4. 馬達之運轉須與箭頭所指方向相同，否則油不能唧出，此時請查明電源是否有接錯。
5. 本機使用周圍溫度須在 $-20^{\circ}\text{C} \sim 70^{\circ}\text{C}$ 間最為適當。
6. 潤滑油；請用清潔潤滑機油。

Features :

1. The MIC-system use the I.C. circuit board to control the intermission and supply time of oil.
2. You can regulate the operation time with the aid of the button for controlling oil amount according to the needs.(1~60 seconds, 1~60 min.)
3. There is a pressure adjusting valve to commute between the oil amount and pressure. (0 ~ 5 kg)
4. You can immediately watch the pressure of the pump with the aid of oil pressure display, so you can do the necessary adjustment.
5. The oil tank is transparent so that you can see through the oil level and may not neglect the oil feeding while out of oil.

Instructions of Operation and Installations :

1. To install, fix the whole oil tank onto the unit with screws.
2. Piping, Outlet of the pipe associated with the pump is 4 or 6mm ϕ in diameter, while can be connected to Aluminium pipe, Copper pipes or Nylon pipes of like diameter specifications.
3. Turn on the power source, fill the oil tank full with lubricant, turn on the ON/OFF switch, effect adjustment, set both the drive and intermittent buttons to the start-up position, fill the oil in full, in each oiler hole, then adjust to the operation time as well as the intermitting on feeding time as required, where upon the Automatic Control box will start operation exactly as such.
4. Rotation of 3 phase motor should be consistent with arrow direction failing that the oil would not be out and you should check whether power connection is right when this should happen.
5. Ambient temperature to the unit in service is preferably between -20°C to 70°C .
6. Lubricant, please use clean and new lubricant.

(本產品獲中央標準局專利案號 No.21722 R.O.C. patent No.21722)

型式 TYPE	吐出量 Output	油桶空量 Tank Vol.	吐出壓力 Discharge Pressure	電 壓 Voltage	頻 率 Hz	吐出口徑 Outlet Dia.	轉 速 RPM	電 流 Amp	馬 達 Motor	重 量 w.t / kg
MIC-200	400cc/min	4000cc	0-15kg/cm ²	110V or 220V	50/60 Hz	4 ϕ or 6 ϕ	1460~1500	0.25/0.23A	25 w	4.7
MIC-280	200cc/min	2800cc	0-10kg/cm ²	110V or 220V	50/60 Hz	4 ϕ or 6 ϕ	1460~1500	0.16/0.14A	15 w	3.9
MIC-160	150cc/min	2800cc	0-7kg/cm ²	110V or 220V	50/60 Hz	4 ϕ or 6 ϕ	1460~1500	0.85/0.42A	50/51 w	3.4