

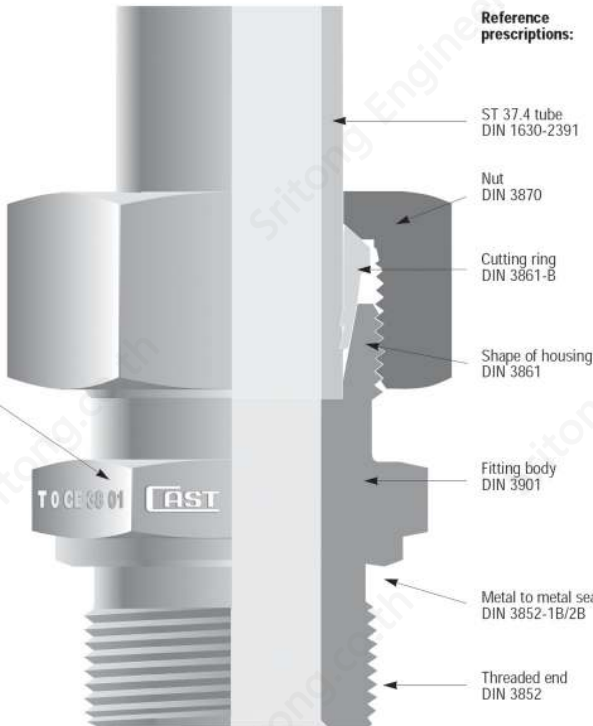
The Cast fitting, manufactured according to ISO 8434-1/DIN 2353 norm is a mechanical fitting with a double cutting ring for double stapling on the tube. The ring helps fast assembly of removable tubes, avoids welding tapping and flaring, thus assuring maximum simplicity of complex oleo-dynamic systems.

During tightening by the nut, the ring deforms according to the bore of the 24 Degree cone of the fitting and bites into the steel tube, producing two deep cuts the first of which is visible due to lifting of an outer edge on the diameter of the tube, allows the water tightness and anti-unthreading of the ring. The second groove (invisible) balances the forces on the whole ring, prevents vibrations to reach the first groove and stops the stapling of the tube at a predetermined value.

COUPLING SYSTEM DIN 2353

Traceability decoding

- CAST = Manufacturer
- T = Production plant
- 0 = Year manufactured
- CE = Made in EEC
- 38 = Type of steel used
- 01 = Heat number of the steel used



Reference prescriptions:

BSP taper thread

Serie Series Serie Reihe	ØTubo Tube OD ØTube Rohr AD	Filetto Thread Filetage Gewinde	Press. Pressure Pression Druck	101701	102001	102501	
	M	G	Bar				
LL	4	1/8	100	101701	102001	102501	
	6	1/8		101702	102002	102502	
	8	1/8		101703	102003	102503	
L	6	1/8	315	101704	102004	102504	
	6	1/4		101724	102024	-	
	8	1/8		101725	102025	-	
	8	1/4		101705	102005	102505	
	8	3/8		101726	102026	-	
	8	1/2		101727	102027	-	
	10	1/8		101728	102028	-	
	10	1/4		101706	102006	102506	
	10	3/8		101729	102029	-	
	10	1/2		101730	102030	-	
	12	1/4		101731	102031	-	
	12	3/8		101707	102007	102507	
	12	1/2		101732	102032	-	
	15	3/8		101733	102033	-	
	15	1/2		101708	102008	102508	
	18	1/2		101709	102009	102509	
	18	3/4		101734	102034	-	
	L	22		3/4	160	101710	102010
28		1	101711	102011		102511	
35		1 1/4	101712	102012		102512	
42		1 1/2	101713	102013		102513	
6		1/4	630	101714		102014	102514
8		1/4		101715		102015	102515
10	3/8	101716		102016	102516		
12	3/8	101717		102017	102517		
12	1/2	101735		102035	-		
14	3/8	101736		102036	-		
S	14	1/2	400	101718	102018	102518	
	16	3/8		101737	102037	-	
	16	1/2		101719	102019	102519	
	20	1/2		101738	102038	-	
	20	3/4		101720	102020	102520	
	25	3/4		101739	102039	-	
	25	1		101721	102021	102521	
	30	1		101740	102040	-	
	30	1 1/4		101722	102022	102522	
	38	1 1/2		315	101723	102023	102523

Equal fitting

Serie Series Serie Reihe	ØTubo Tube OD ØTube Rohr AD	Press. Pressure Pression Druck	103501	103601	103701	103801	103901		
	M	Bar							
LL	4	100	103501	-	-	103801	103901		
	6		103502	-	-	103802	103902		
	8		103503	-	-	103803	103903		
L	6	315	103504	103604	103704	103804	103904		
	8		103505	103605	103705	103805	103905		
	10		103506	103606	103706	103806	103906		
	12		103507	103607	103707	103807	103907		
	15		103508	103608	103708	103808	103908		
	18		103509	103609	103709	103809	103909		
	22	160	103510	103610	103710	103810	103910		
	28		103511	103611	103711	103811	103911		
	35		103512	103612	103712	103812	103912		
	42		103513	103613	103713	103813	103913		
	S		6	630	103514	103614	103714	103814	103914
			8		103515	103615	103715	103815	103915
10		103516	103616		103716	103816	103916		
12		103517	103617		103717	103817	103917		
14		103518	103618		103718	103818	103918		
16		400	103519	103619	103719	103819	103919		
20			103520	103620	103720	103820	103920		
25			103521	103621	103721	103821	103921		
30			103522	103622	103722	103822	103922		
38			315	103523	103623	103723	103823	103923	