



KM7001-1A



KM7002-1A

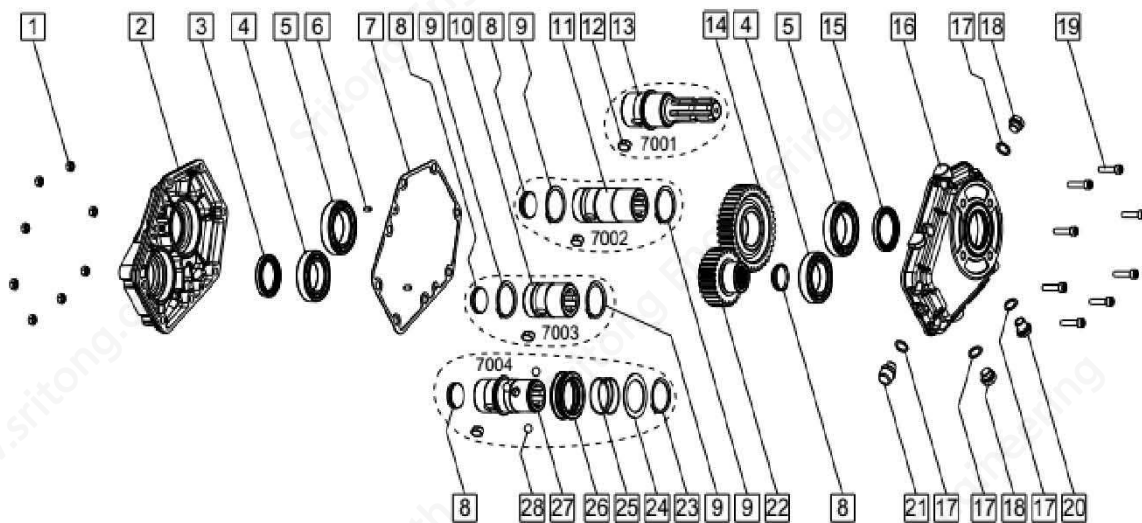


KM7003-1A



KM7004-1A

Spare parts:

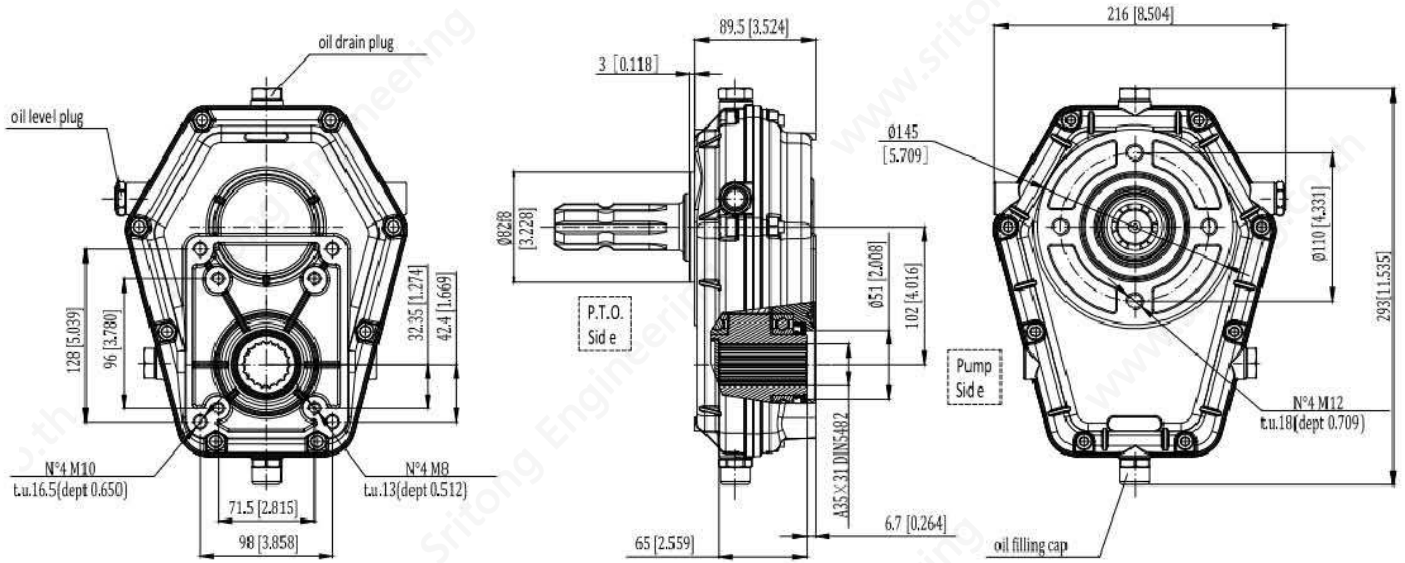


No.	Description	Quantity	No.	Description	Quantity
1	Nut M8	8	15	Sealing ring $\Phi 50 \times 65 \times 8$	1
2	Cover	1	16	Housing	1
3	Sealing ring $\Phi 45 \times 65 \times 8$	1	17	Gasket	4
4	Bearing type 6009	2	18	Oil drain plug 3/8"	2
5	Bearing type 6010	2	19	Socket capscrew M8x35	8
6	Peg 6x12	2	20	Oil level plug 3/8"	1
7	Gasket	1	21	Oil filling cap 3/8"	1
8	Cap Din 470 $\Phi 37$	1	22	Pinion Gear	1
9	Snap ring dia.50	2	23	Snap ring UNI 7435-50	1
10	Female 1"3/8 DIN 9611 short	1	24	Ring	1
11	Female 1"3/8 DIN 9611 long	1	25	Spring	1
12	Key 12x25	1	26	Spring ring	1
13	Male 1"3/8 DIN 9611	1	27	Female 1"3/8 DIN 9611 + tightening	1
14	Ring gear	1	28	Ball	2

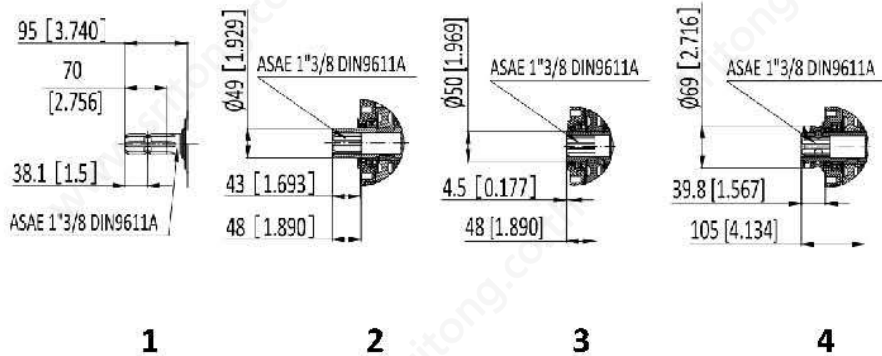
Technical sheet:

Input torque (Nm)	Output torque (Nm)	Input speed (r/min)	Transmission ratio	Output speed (r/min)	Power (KW)	Weight (Kg)
380	260	540	1.5	810	20	9.7
430	210	540	2	1080	20	9.7
460	180	540	2.5	1408	20	9.7
490	160	540	3	1620	20	9.7
460	130	540	3.5	1836	20	9.7
437	115	540	3.8	2057	20	9.7

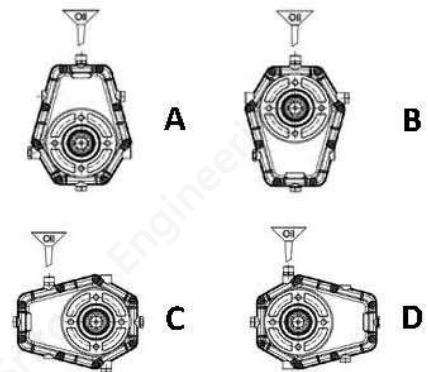
Three views:



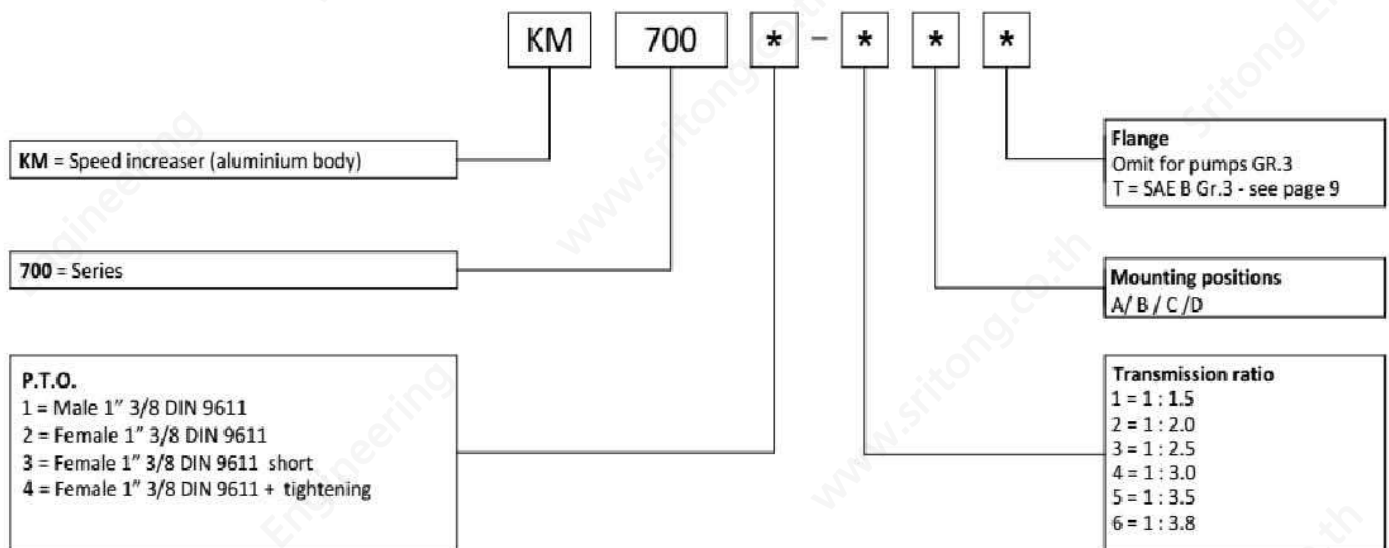
P.T.O.



Mounting positions



How to order:



For example: KM7001-1AS