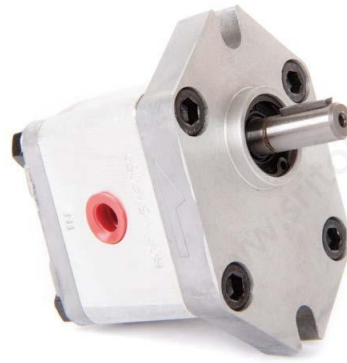
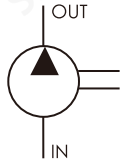


HGP-05A

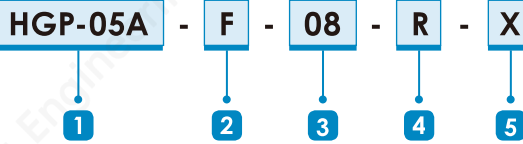


- ▶ Displacement : 0.35~1.13 cc/rev
- ▶ Max. Pressure : 250 kgf/cm²
(3500psi)

SCHEMATIC SYMBOL



ORDER CODES

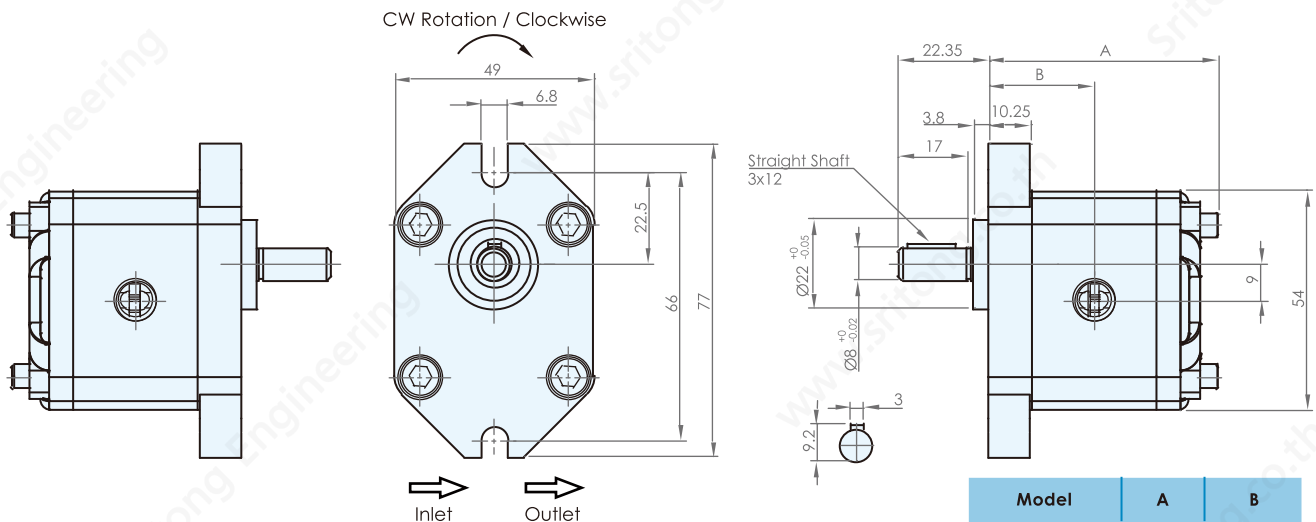


1	Model Name	HGP-05A	
2	Mounting	F	flange type
		L	foot type
3	Delivery Capacity	03, 05, 08, 11	
4	Rotation Direction	R	clockwise
		L	counter - clockwise
5	Shaft Type	X	straight shaft

SPECIFICATIONS

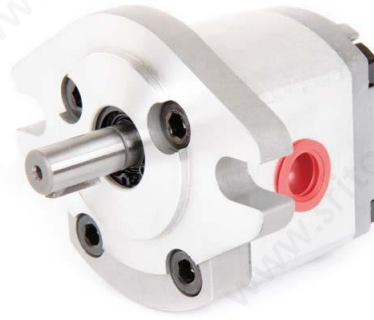
Model	Accurate Displacement Capacity (cc/rev)	Operational Pressure (kgf/cm ²)	Max. Pressure (kgf/cm ²)	Speed (r.p.m.)			Ports Size (PT)		Weight (kg)
				Rate	Max.	Min.	Inlet	Outlet	
HGP-05A-03	0.35	210	250	1800	3500	800	1/8"	1/8"	0.40
HGP-05A-05	0.56	210	250	1800	3500	800	1/8"	1/8"	0.42
HGP-05A-08	0.85	210	250	1800	3500	800	1/4"	1/4"	0.43
HGP-05A-11	1.13	210	250	1800	3500	800	1/4"	1/4"	0.44

DIMENSIONS (unit : mm)



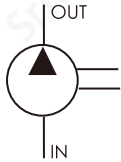
Model	A	B
HGP-05A-03	52	25
HGP-05A-05	54	26
HGP-05A-08	56	27
HGP-05A-11	58	28

HGP-1A

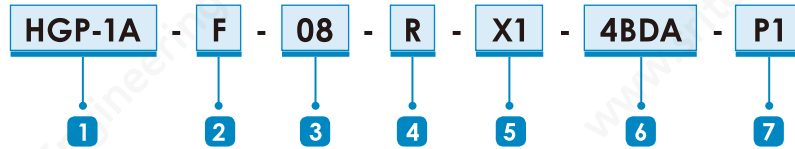


- ▶ Displacement : 0.5~7.8 cc/rev
- ▶ Max. Pressure : 250 kgf/cm²
(3500psi)
- ▶ Flange : SAE 2-bolt, DIN 4-bolt,
European 4-bolt

SCHEMATIC SYMBOL



ORDER CODES



1	Model Name	HGP-1A	
2	Mounting	F	flange type
		L	foot type
3	Delivery Capacity	05, 08, 1, 2, 26, 3, 4, 5, 6, 8	
4	Rotation Direction	R	clockwise
		L	counter - clockwise
		M	hydraulic motor *
5	Shaft Type *	X: straight shaft Y: spline shaft Z: taper shaft	
6	Flange Mounting Type	2B	SAE 2-bolt
		4BDA	DIN 4-bolt (Type A)
		4BDB	DIN 4-bolt (Type B)
		4BE	European 4-bolt
7	Inlet and Outlet *	F: flange type(F1~F2) P: PT(P1~P2)	G: G, BSP, PF(G1~G2) U: UNF(U1~U2)

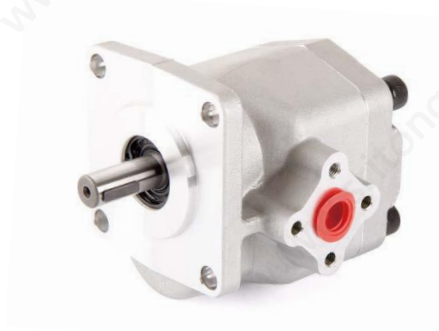
SPECIFICATIONS

Model	Accurate Displacement Capacity (cc/rev)	Operational Pressure (kgf/cm ²)	Max. Pressure (kgf/cm ²)	Speed (r.p.m.)			Weight (kg)
				Rate	Max.	Min.	
HGP-1A-05	0.5	210	250	1800	4500	1000	1.0
HGP-1A-08	0.8	210	250	1800	4500	1000	1.0
HGP-1A-1	1	210	250	1800	4500	1000	1.0
HGP-1A-2	2	210	250	1800	4500	600	1.05
HGP-1A-26	2.6	210	250	1800	4500	600	1.15
HGP-1A-3	3	210	250	1800	4500	600	1.15
HGP-1A-4	4	210	250	1800	4000	600	1.18
HGP-1A-5	5	210	250	1800	3200	600	1.2
HGP-1A-6	6	210	250	1800	3200	600	1.3
HGP-1A-8	7.8	170	210	1800	3200	600	1.4

HGP-2AY



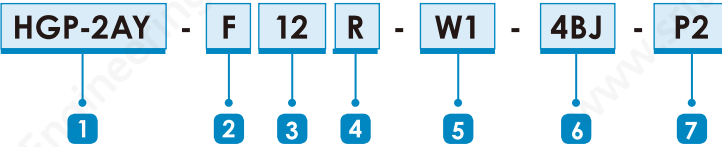
- ▶ Displacement : 2~12 cc/rev
- ▶ Max. Pressure : 250 kgf/cm²
(3500psi)
- ▶ Flange : JIS 4-bolt



SCHEMATIC SYMBOL



ORDER CODES



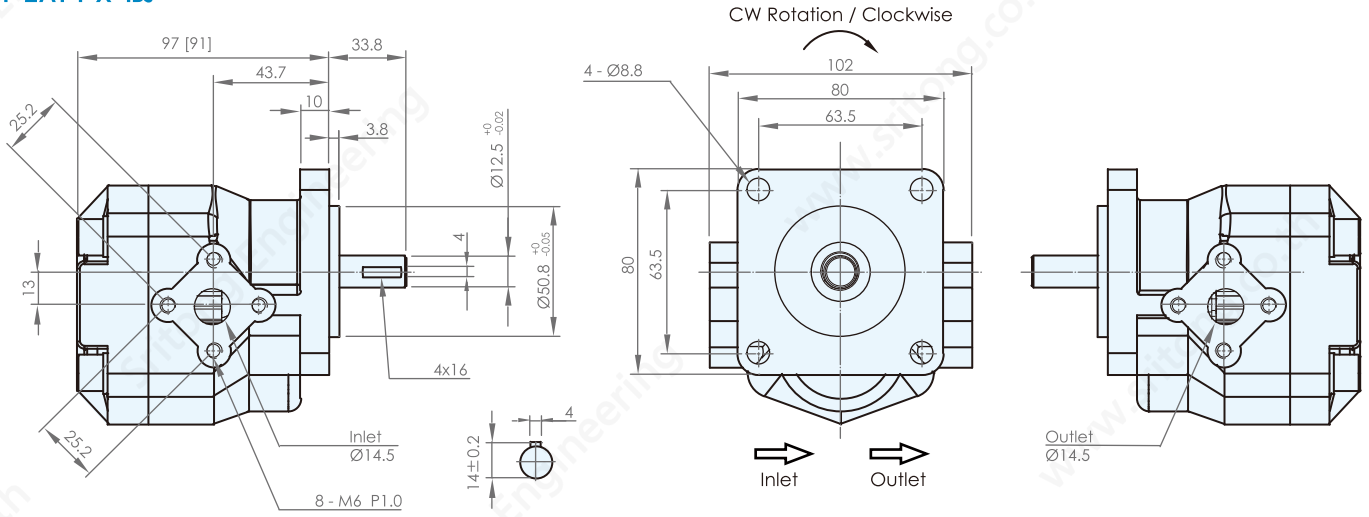
1 Model Name	HGP-2AY	standard
	HGP-2A	old standard
2 Mounting	F	flange type
	L	foot type
3 Delivery Capacity	1, 2, 25, 3, 4, 5, 6, 8, 9, 11, 12, 13	
4 Rotation Direction	R	clockwise
	L	counter - clockwise
5 Shaft Type *	W : tang shaft X : straight shaft Y : spline shaft Z : taper shaft	
6 Flange Mounting Type	4BJ	JIS 4-bolt
7 Inlet and Outlet *	F : flange type(F1) P : PT(P1~P2)	G : PF, G, BSPP(G1~G2) N : NPT(N1~N2)

SPECIFICATIONS

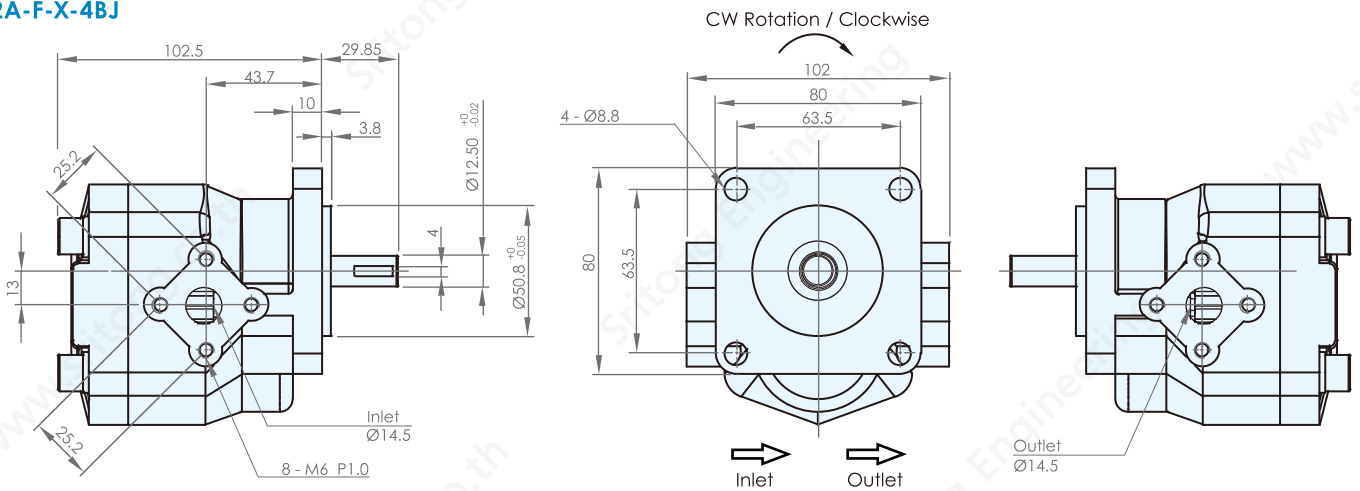
Model	Accurate Displacement Capacity (cc/rev)	Operational Pressure (kgf/cm ²)	Max. Pressure (kgf/cm ²)	Speed (r.p.m.)			Weight (kg)	
				Rate	Max.	Min.	HGP-2AY	HGP-2A
HGP-2AY-1	1	210	250	1800	5000	1000	1.60	1.65
HGP-2AY-2	2	210	250	1800	5000	1000	1.64	1.69
HGP-2AY-25	2.5	210	250	1800	5000	850	1.65	1.70
HGP-2AY-3	3	210	250	1800	5000	850	1.65	1.70
HGP-2AY-4	4	210	250	1800	4500	800	1.66	1.71
HGP-2AY-5	5	210	250	1800	3500	700	1.66	1.71
HGP-2AY-6	6	210	250	1800	3500	700	1.67	1.72
HGP-2AY-8	7.5	210	250	1800	3000	600	1.69	1.74
HGP-2AY-9	9	210	250	1800	2500	550	1.69	1.74
HGP-2AY-11	10.5	210	250	1800	2000	500	1.69	1.74
HGP-2AY-12	12	175	210	1800	2000	500	1.71	1.76
HGP-2AY-13	13	175	210	1800	2000	500	1.67	1.72

* HGP-2AY-1, HGP-2AY-25, HGP-2AY-5 and HGP-2AY-13 do not belong to regular products. Customized service can be provided.

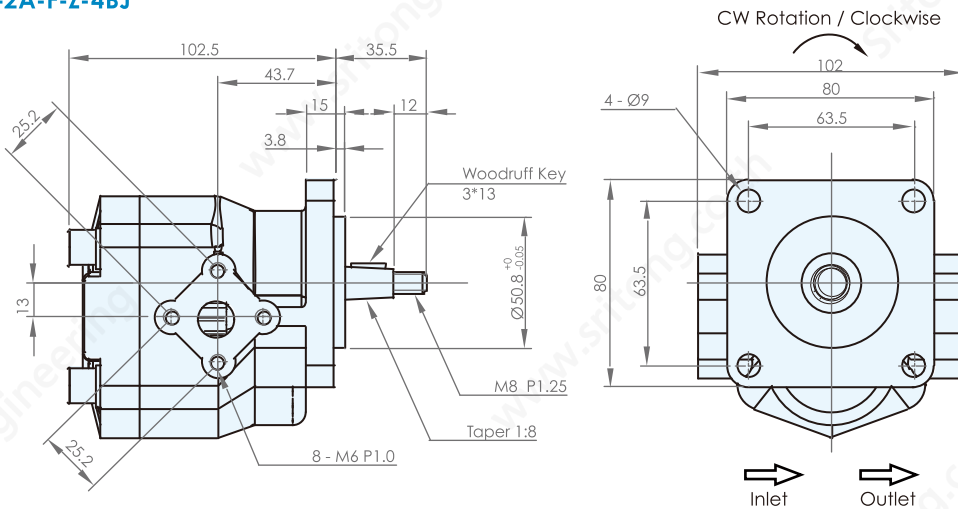
HGP-2AY-F-X-4BJ



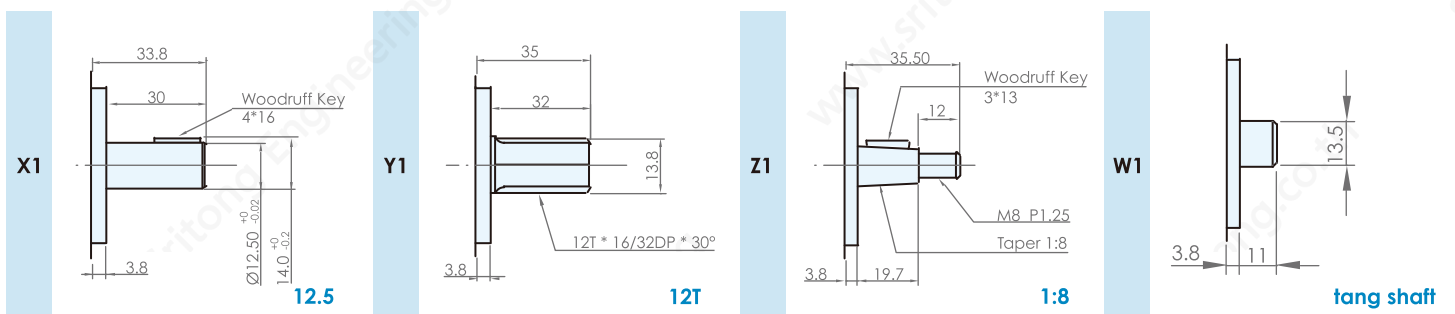
HGP-2A-F-X-4BJ



HGP-2A-F-Z-4BJ



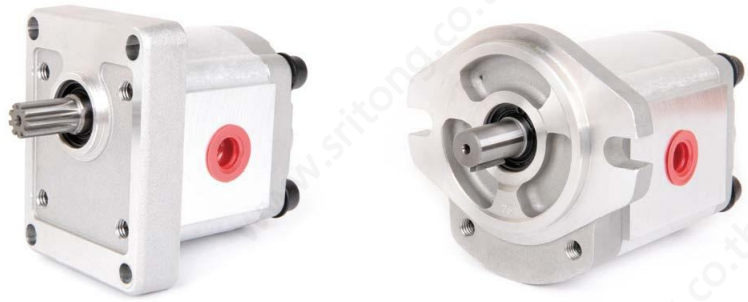
Dimension of Shaft



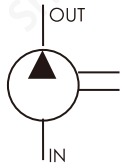
HGP-3A



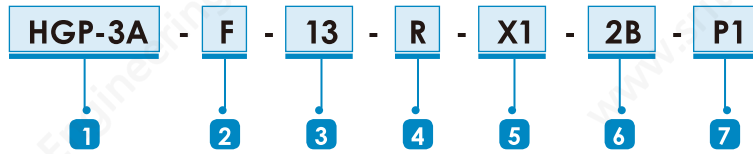
- ▶ Displacement : 2~35 cc/rev
- ▶ Max. Pressure : 250 kgf/cm²
(3500psi)
- ▶ Flange : SAE 2-bolt, DIN 4-bolt,
European 4-bolt



SCHEMATIC SYMBOL



ORDER CODES

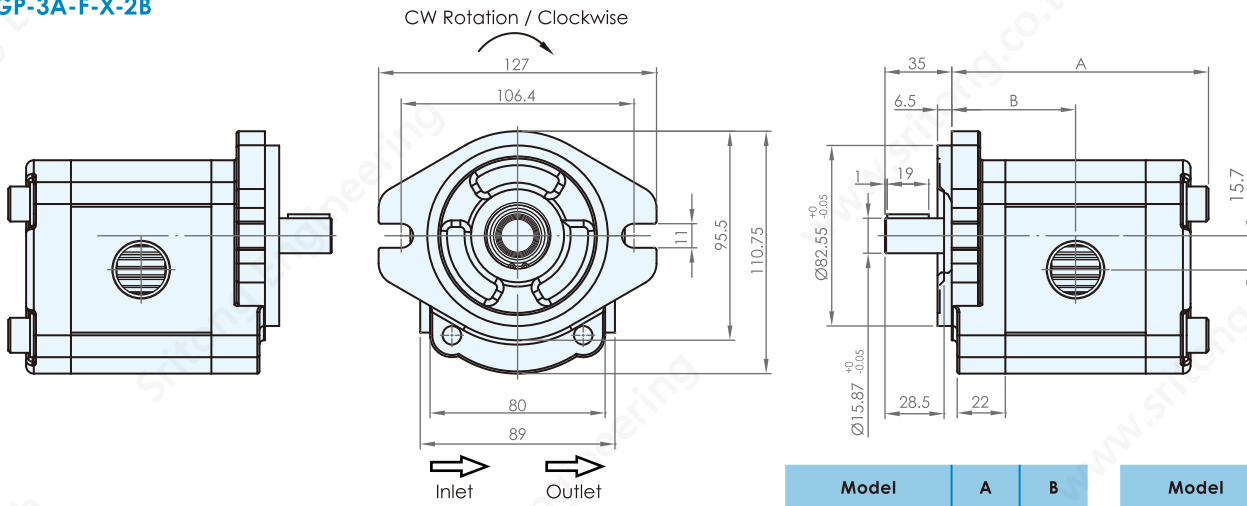


1	Model Name	HGP-3A	
2	Mounting	F	flange type
		L	foot type
3	Delivery Capacity	2, 3, 4, 6, 8, 11, 13, 14, 17, 19, 23, 25, 28, 30, 33, 35	
4	Rotation Direction	R	clockwise
		L	counter - clockwise
		M	hydraulic motor *
5	Shaft Type *	X : straight shaft	Y : spline shaft Z : taper shaft
6	Flange Mounting Type	2B	SAE 2-bolt
		4BD	DIN 4-bolt
		4BE	European 4-bolt
7	Inlet and Outlet *	F : flange type(F1~F6) P : PT(P1~P2)	G : G, BSP, PF(G1~G2) U : UNF(U1~U2)

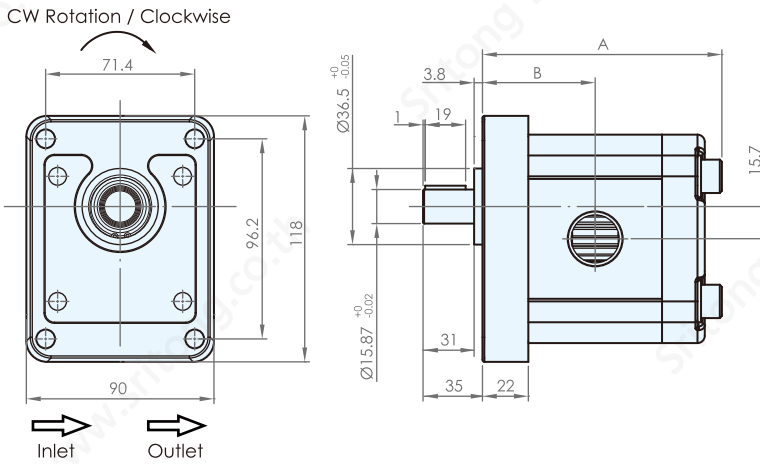
SPECIFICATIONS

Model	Accurate Displacement Capacity (cc/rev)	Operational Pressure (kgf/cm ²)	Max. Pressure (kgf/cm ²)	Speed (r.p.m.)			Weight (kg)
				Rate	Max.	Min.	
HGP-3A-2	2	210	250	1800	4000	700	2.19
HGP-3A-3	3	210	250	1800	4000	700	2.23
HGP-3A-4	4	210	250	1800	4000	700	2.29
HGP-3A-6	6	210	250	1800	4000	700	2.37
HGP-3A-8	8.4	210	250	1800	3500	700	2.45
HGP-3A-11	11	210	250	1800	3000	600	2.60
HGP-3A-13	13	210	250	1800	3000	600	2.70
HGP-3A-14	14.3	210	250	1800	3000	500	2.76
HGP-3A-17	16.5	210	250	1800	3000	500	2.87
HGP-3A-19	19.2	210	250	1800	3000	500	2.99
HGP-3A-23	23	210	250	1800	3000	500	3.19
HGP-3A-25	25	175	210	1800	2800	500	3.24
HGP-3A-28	28	175	210	1800	2500	500	3.35
HGP-3A-30	30	175	210	1800	2500	500	3.45
HGP-3A-33	33	140	175	1200	2500	500	3.60
HGP-3A-35	35	125	140	1200	2500	500	3.71

HGP-3A-F-X-2B

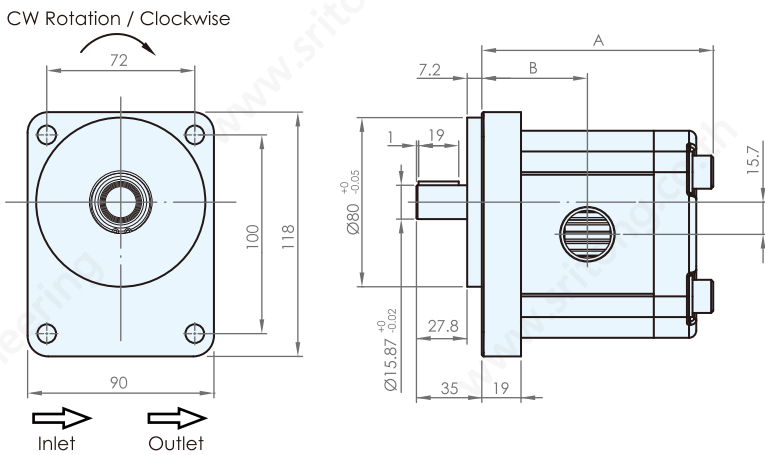


HGP-3A-F-X-4BE



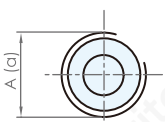
Model	A	B	Model	A	B
HGP-3A-2-4BE	97.4	44.7	HGP-3A-2-2B	97.4	46.7
HGP-3A-3-4BE	99	45.5	HGP-3A-3-2B	99	47.5
HGP-3A-4-4BE	101	46.5	HGP-3A-4-2B	101	48.5
HGP-3A-6-4BE	105	48	HGP-3A-6-2B	105	50
HGP-3A-8-4BE	109	49.5	HGP-3A-8-2B	109	51.5
HGP-3A-11-4BE	113	52	HGP-3A-11-2B	113	54
HGP-3A-13-4BE	117	54	HGP-3A-13-2B	117	56
HGP-3A-14-4BE	119	55	HGP-3A-14-2B	119	57
HGP-3A-17-4BE	123	57	HGP-3A-17-2B	123	59
HGP-3A-19-4BE	127	59	HGP-3A-19-2B	127	61
HGP-3A-23-4BE	134	63	HGP-3A-23-2B	134	65
HGP-3A-25-4BE	137	64	HGP-3A-25-2B	137	66
HGP-3A-28-4BE	141	66	HGP-3A-28-2B	141	68
HGP-3A-30-4BE	145	68	HGP-3A-30-2B	145	70
HGP-3A-33-4BE	150	71	HGP-3A-33-2B	150	73
HGP-3A-35-4BE	154	73	HGP-3A-35-2B	154	75

HGP-3A-F-X-4BD



Model	A	B
HGP-3A-2-4BD	97.4	41.7
HGP-3A-3-4BD	99	42.5
HGP-3A-4-4BD	101	43.5
HGP-3A-6-4BD	105	45
HGP-3A-8-4BD	109	46.5
HGP-3A-11-4BD	113	49
HGP-3A-13-4BD	117	51
HGP-3A-14-4BD	119	52
HGP-3A-17-4BD	123	54
HGP-3A-19-4BD	127	56
HGP-3A-23-4BD	134	60
HGP-3A-25-4BD	137	61
HGP-3A-28-4BD	141	63
HGP-3A-30-4BD	145	65
HGP-3A-33-4BD	150	68
HGP-3A-35-4BD	154	70

Inlet and Outlet Size



PT (BSPT), Standard model

Code	Inlet	Outlet	Applicable Model
	A	a	
P1	3/4" PT	1/2" PT	3A-4 ~ 23
P2	1" PT	3/4" PT	3A-25 ~ 35

PF (G, BSPP)

Code	Inlet	Outlet
	A	a
G1	G 3/4"	G 1/2"
G2	G 1"	G 3/4"

NPT

Code	Inlet	Outlet	Applicable Model
	A	a	
N1	3/4" NPT	1/2" NPT	3A-4 ~ 23
N2	1" NPT	3/4" NPT	3A-25 ~ 35