

Fluid Level Gauges with Level & Thermo Switch

Specifications

Installation torque: 10-15Nm
 Operation temperature: -30°C ~ +110°C
 Working pressure: 1bar
 Seal: NBR



Ordering Code

FLG 127 NO T70 M12

Fluid level gauge _____

Length H _____

076,080,100, 127,150, 176,200, 254,381

Type _____

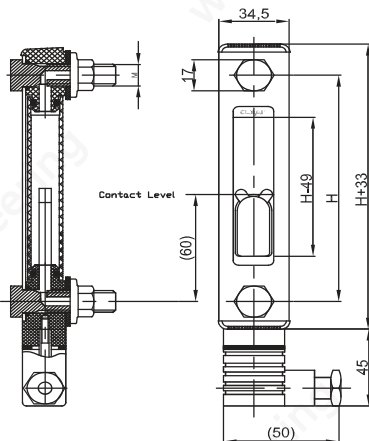
NO: Level switch N.O., NC: Level switch N.C.

emperature type _____

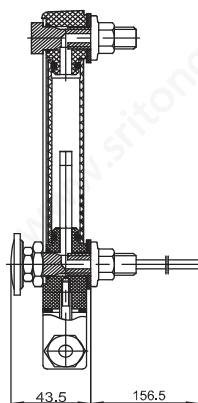
N - NO Temperature
 G - Temperature gauge
 T60,T70, T80 - 60°C , 70°C , 80°C Thermo switch

Mounting bolt _____

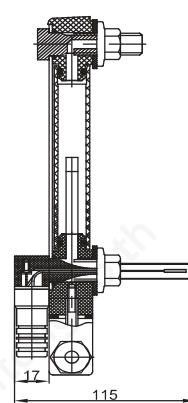
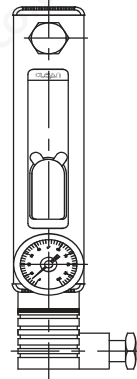
M10, M12 (Temperature gauge and thermo switch M12 only)



Type N



Type G: Temperature gauge



Type T: Thermo switch

