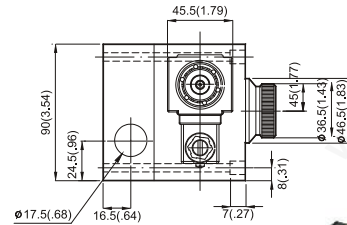
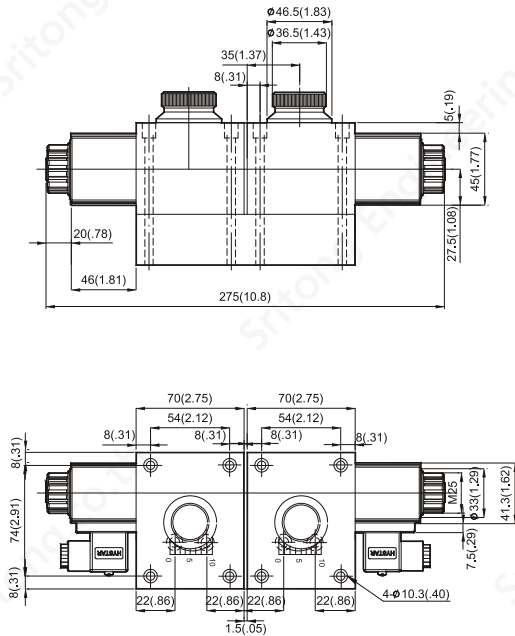


USING

DIMENSIONS

MILLIMETERS(INCHES)

FKCS-03-S2 Solcon Valves (Pressure Compensated) (Sub-plate Type)



SYMBOL

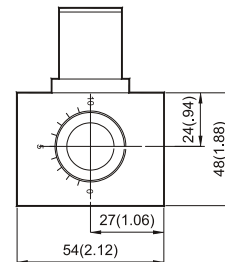
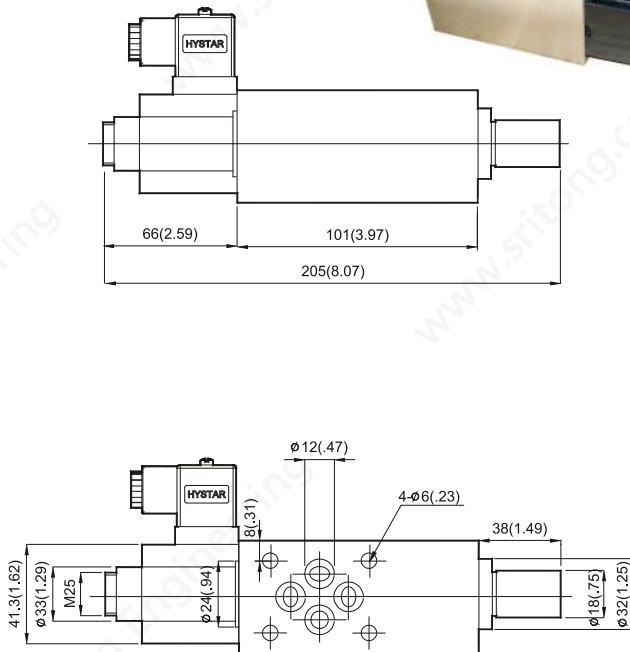


Valve Specifications & Attachment

Model	FKCS-03-S2
Flow Rating	30 lpm (7.9 gpm)
Max. Pressure	70 bar (1000 psi)
Weight kg.(lbs.)	5.94 (13.0)
CODE:20	M6 X45LgX8pcs
Surface O-Ring	P12X4pcs

Model	Within Flow Rate Adjusting (lpm)		Connection Bore
	1st Stage	2nd Stage	
FKCS-03-S2-4-2	0.1 - 4	0.1 - 2	PT 3/8
FKCS-03-S2-6-4	0.1 - 6	0.1 - 4	

FMS-G*-02* Solcon Valves (Modular Type)



SYMBOL



Valve Specifications & Attachment

Model	FMS-G*-02*
Free Flow	20 lpm (5.2 gpm)
Max. Pressure	70 bar (1000 psi)
Weight kg.(lbs.)	2.42 (5.32)
CODE:20	M5 X100LgX4pcs
Surface O-Ring	P9X4pcs

Model	Symbol
FMS-G*-02T	
FMS-G*-02A	
FMS-G*-02P	

Model	Within Flow Rate Adjusting (lpm)	Connection Bore
FMS-G2-02*	0.1 - 2	PT 1/4
FMS-G4-02*	0.1 - 4	
FMS-G8-02*	0.1 - 8	

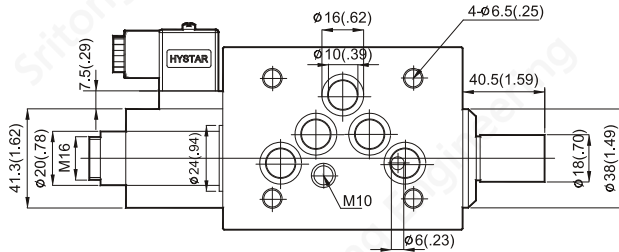
USING

DIMENSIONS

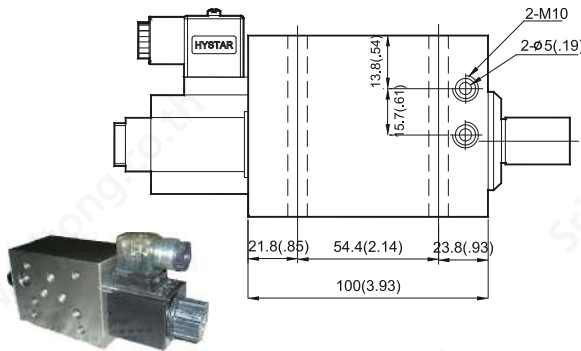
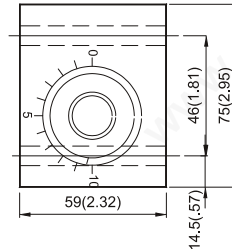
MILLIMETERS(INCHES)

FMS-GO*-03*

**Solcon Valves
(Modular Type)**



SYMBOL



Valve Specifications & Attachment

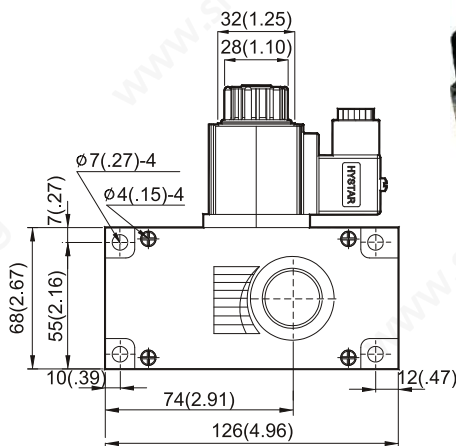
Model	FMS-GO 00-03
Free Flow	30-60 lpm (7.9-15.8 gpm)
Max. Pressure	70-140 bar (1000-2000 psi)
Weight kg(lbs.)	3.30 (7.26)
CODE:20	M6X95LgX4pcs
Surface O-Ring	P12X5pcs

Model	Symbol
FMS-GO*-03T	
FMS-GO*-03A	
FMS-GO*-03P	

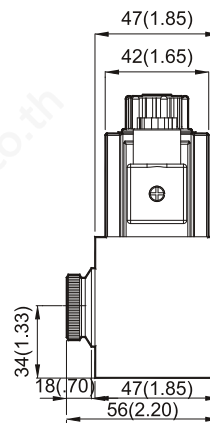
Model	Within Flow Rate Adjusting (lpm)	Connection
		Bore
FMS-GO2-03*	0.1 - 2	PT 3/8
FMS-GO4-03*	0.1 - 4	
FMS-GO8-03*	0.1 - 8	
FMS-GO12-03*	0.1 - 12	

FPR-MGKS-00*-03

**Solcon Valves (Pressure Compensated)
(Sub-plate Type)**



SYMBOL



Valve Specifications & Attachment

Model	FPR-MGKS 00-03
Free Flow	30-60 lpm (7.9-15.8 gpm)
Max. Pressure	70-140 bar (1000-2000 psi)
Weight kg(lbs.)	3.30 (7.26)
CODE:20	M6 X55LgX4pcs
Surface O-Ring	P16X2pcs

Model	Within Flow Rate Adjusting (lpm)	Connection
		Bore
FPR-MGKS-002-03	0.1 - 2	PT 3/8
FPR-MGKS-004-03	0.1 - 4	
FPR-MGKS-008-03	0.1 - 8	
FPR-MGKS-012-03	0.1 - 12	