

25

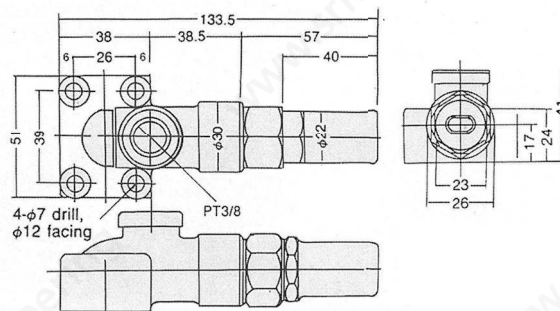
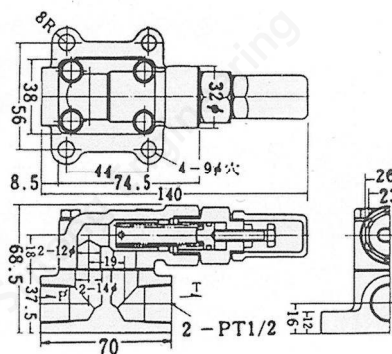
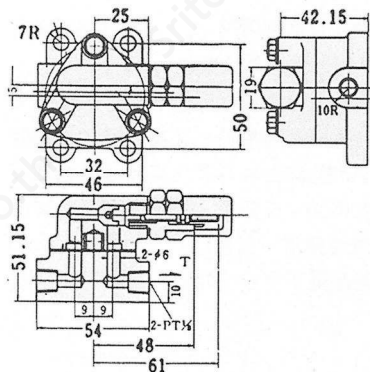
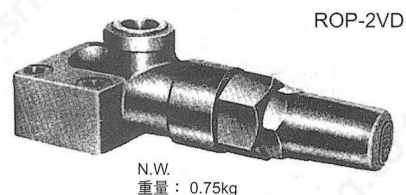
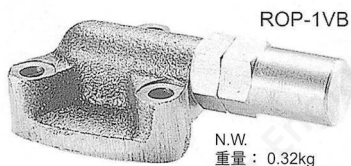
洩壓閥

Relief Valve

TYPE:ROP-1VB / 2VB/ 2VD

| 彈簧 No | 使用壓力範圍 |
|--------|-----------|
| No. 1L | 0.8 ~ 4.6 |
| No. 2L | 4.6 ~ 13 |
| No. 3L | 13 ~ 25 |
| No. 4L | 0 ~ 25 |

上記：彈簧的壓力範圍
流量：15l/min潤滑油#140



26

Self Priming Pump

TYPE: DP-1/2/3/4

Under Water Pump

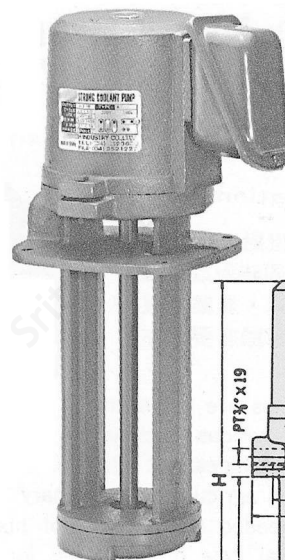
TYPE: RY-130 - 280

對角孔
1/2HP~215
1HP~215

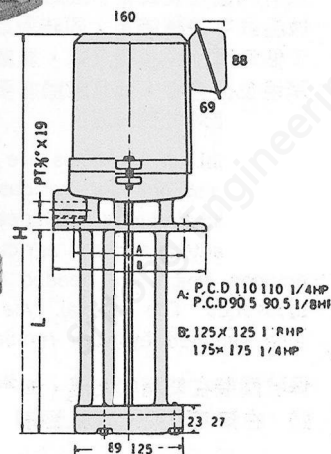
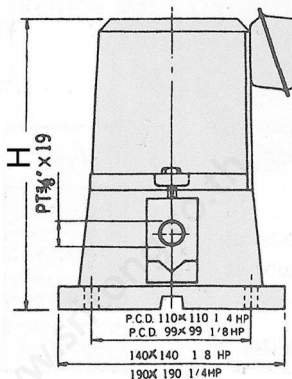
DP



對角孔
1/2HP~170
1HP~185



RY



Specifications

This is the "WLP" Brand pump in best quality with anti-rust treatment, use high grade material for the complete set and has been duly inspected in five steps by precision electron device before delivery, Voltage, Insulation and Repression are in accordance with standard.

We sincerely recommend this pump for your kind attention, if there is any question, please do not hesitate to contact us, we are always with pleasure to be of service.

| Type | Power (HP) | H (mm) | Flow (l/Min) | Voltage |
|--------------|------------|--------|--------------|----------------------------------|
| DP-1 (DS08) | 1/8 | 180 | 28 | 3 phase, 4P 220/380V:220/440V |
| DP-2 (DS25) | 1/4 | 240 | 86 | |
| DP-3 (DS50) | 1/2 | 290 | 170 | |
| DP-4 (DS100) | 1 | 300 | 200 | |

| Type | Power (HP) | H (mm) | L (mm) | Flow (l/Min) | Voltage | Outlet | Head (meter) |
|------------------|------------|--------|--------|--------------|----------------------------|--------|--------------|
| RY-130 (DV0813) | 1/8 | 280 | 130 | 27 | 110/220V:220/380V:220/440V | 3/8" | 2 |
| RY-150 (DV0815) | 1/8 | 300 | 150 | 26 | 110/220V:220/380V:220/440V | 3/8" | 2 |
| RY-180 (DV0818) | 1/8 | 330 | 180 | 24 | 110/220V:220/380V:220/440V | 3/8" | 2 |
| RY-160 (DV2516) | 1/4 | 210 | 160 | 88 | 220/380V:220V/440V | 1/2" | 4 |
| RY-200 (DV2520) | 1/4 | 250 | 200 | 86 | 220/380V:220V/440V | 1/2" | 4 |
| RY-270 (DV2527) | 1/4 | 340 | 270 | 84 | 220/380V:220V/440V | 1/2" | 4 |
| RY-250 (DV5025) | 1/2 | 455 | 250 | 120 | 220/380V:220V/440V | 3/4" | 4 |
| RY-280 (DV10028) | 1 | 540 | 280 | 170 | 220/380V:220V/440V | 1" | 4 |