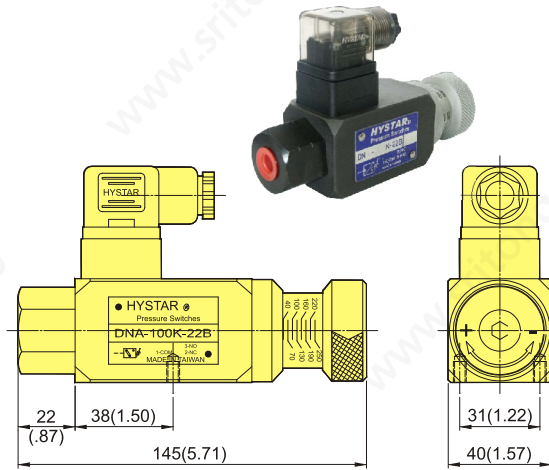
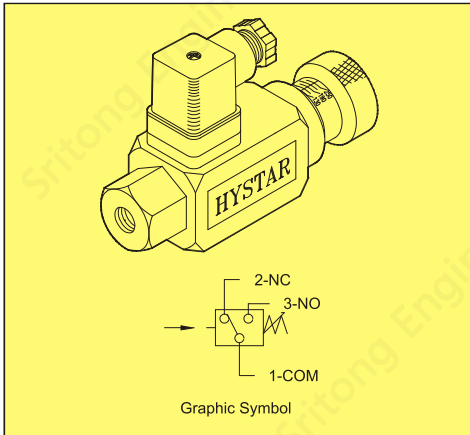


## DNA Series Pressure Switches



## Ordering Code

**DNA - 100K - 22B**

- ①                      ②                      ③

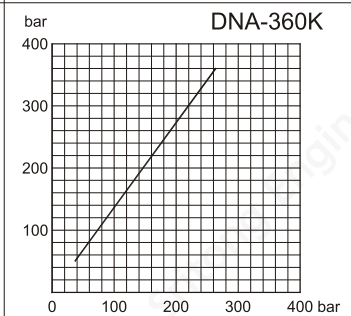
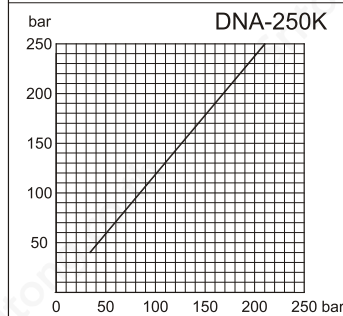
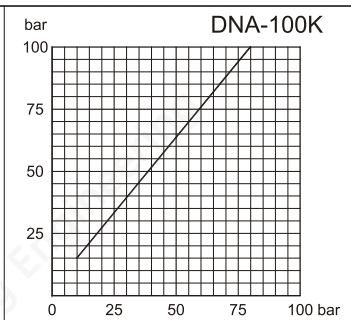
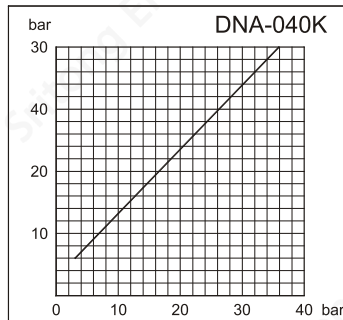
① Series DNA-  
Direct read-out,  
Standard type.

② Pressure Adj. Range

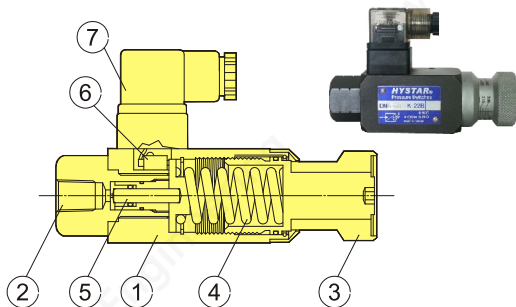
Model	Pres Adj. Range bar	Surge Pres. bar	Weight kg
040K	6~ 40	150	1.0
100K	15~100	250	1.0
250K	40~250	300	1.0
360K	50~360	400	1.0

③ Design Number  
22B:1/4"PT(Rc)  
22B80:1/4"PF(G)  
22B90:1/4"NPT

## Hysteresis Diagrammes



## Schematic Cross-Section

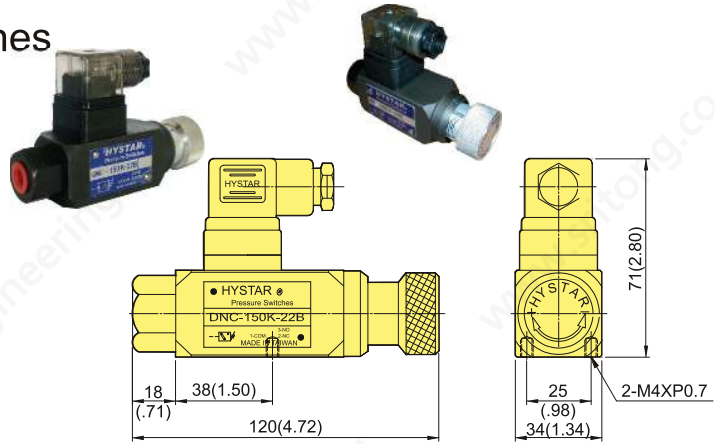
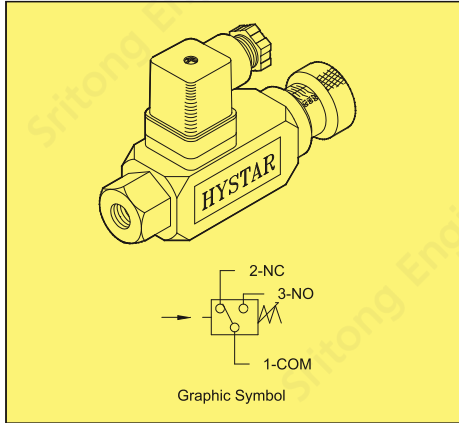


No.	Part Name
1	Body(Casting-Iron)
2	Connection Port 1/4"PT(Rc)
3	Pressure Adj. Knob
4	Spring
5	Servo-Piston
6	Micro-Switch
7	Electrical Connector

## DIMENSIONS

MILLIMETERS(INCHES)

### DNC Series Pressure Switches



### Ordering Code

**DNC - 150K - 22B**

- ①                      ②                      ③

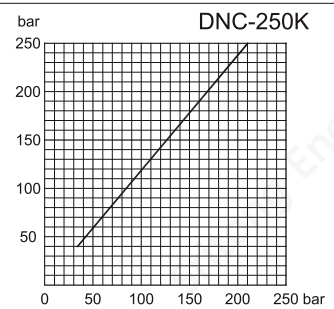
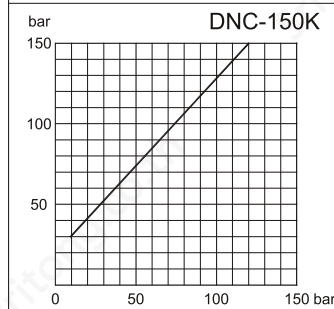
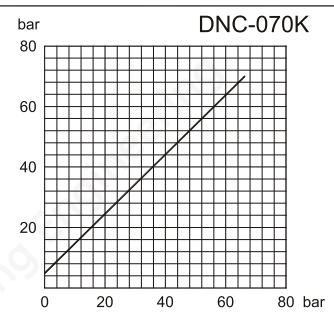
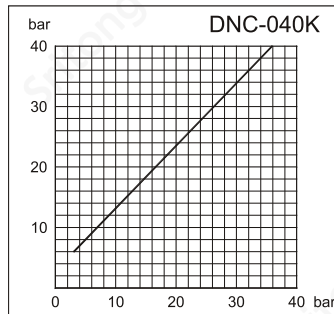
① Series  
DNC-  
General type.

② Pressure Adj. Range

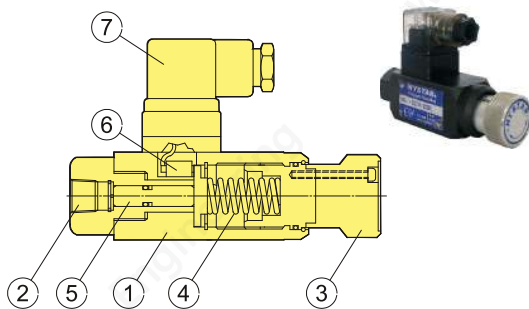
Model	Pres Adj. Range bar	Surge Pres. bar	Weight kg
040K	6~ 40	150	0.6
070K	5~ 70	200	0.6
150K	30~150	300	0.6
250K	40~250	300	0.6

③ Design Number  
22B:1/4"PT(Rc)  
22B80:1/4"PF(G)  
22B90:1/4"NPT

### Hysteresis Diagrammes



### Schematic Cross-Section



No.	Part Name
1	Body(Casting-Iron)
2	Connection Port 1/4"PT(Rc)
3	Pressure Adj. Knob
4	Spring
5	Servo-Piston
6	Micro-Switch
7	Electrical Connector

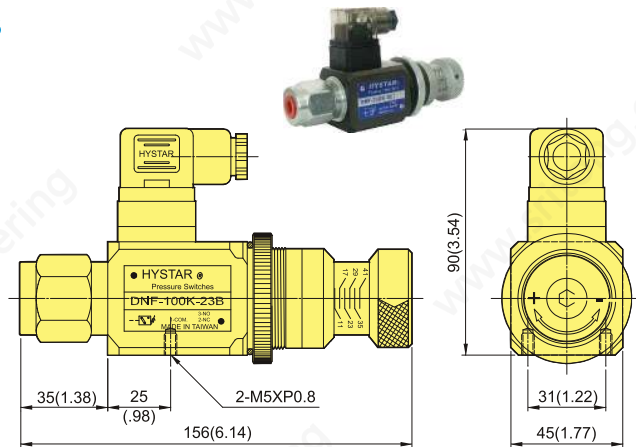
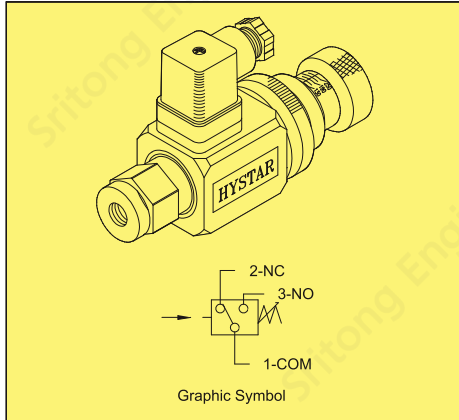


# PRESSURE SWITCH

## DIMENSIONS

## MILLIMETERS(INCHES)

### DNF Series Pressure Switches



### Ordering Code

**DNF - 100K - 30B**

- ①                      ②                      ③

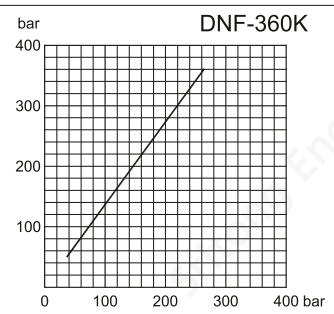
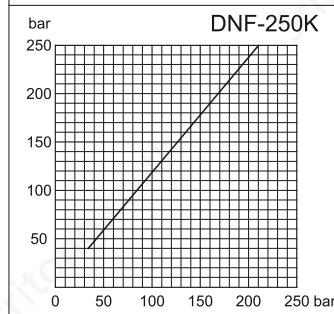
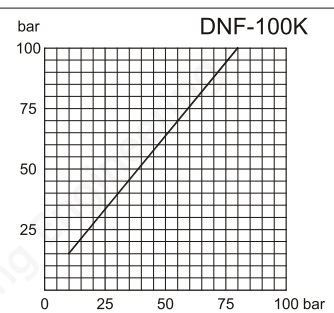
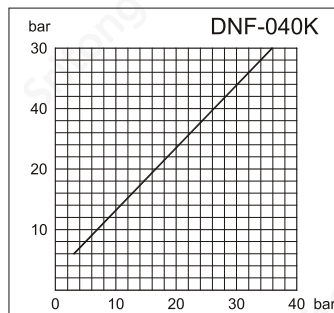
① Series  
DNF-  
Direct read-out,  
Panel mounting type.

② Pressure Adj. Range

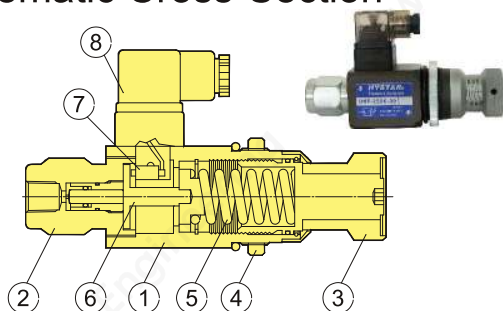
Model	Pres Adj. Range bar	Surge Pres. bar	Weight kg
040K	6~ 40	200	1.2
100K	15~100	350	1.2
250K	40~250	350	1.2
360K	50~360	400	1.2

③ Design Number  
30B: 1/4"PT(Rc)  
30B80: 1/4"PF(G)  
30B90: 1/4"NPT

### Hysteresis Diagrammes



### Schematic Cross-Section



No.	Description
1	Body(Casting-Iron)
2	Connection Port 1/4"PT(Rc)
3	Pressure Adj. Knob
4	Knob Set Screw
5	Spring
6	Servo-Piston
7	Micro-Switch
8	Electrical Connector

