

DFMN-302A

- Displacement : 4~35 cc/rev
- Max. Pressure : 210 kgf/cm²
(3000psi)

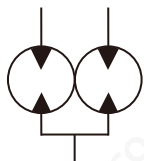


DFMN-302A-M

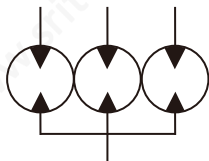


DFMN-302A-MR

SCHEMATIC SYMBOL

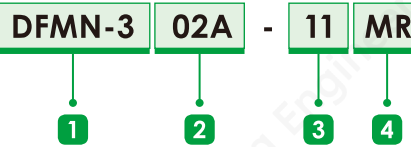


DFMN-302A



DFMN-303A

ORDER CODES



1 Model Name	DFMN-3	
2 Stations	02A	2 stations
	03A	3 stations
	04A	4 stations
	05A	5 stations
	06A	6 stations
	07A	7 stations
	3 Flow Rate	4, 6, 8, 11, 13, 14, 17, 19, 23, 25, 28, 30, 35
4 Functional Type	M	synchronous flow divider
	MR	with relief valve

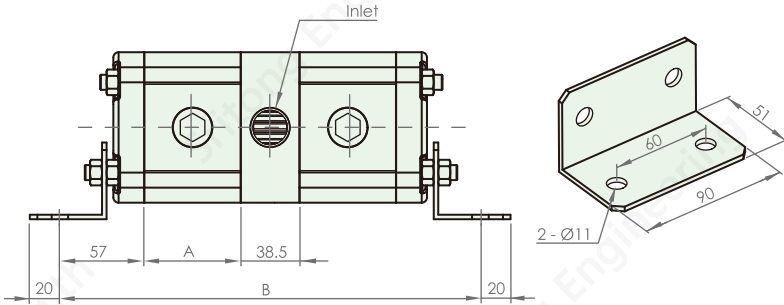
SPECIFICATIONS

Model	Accurate Displacement Capacity (cc/rev)	Operational Pressure (kgf/cm ²)	Speed (r.p.m.)		Ports Size (PT)	
			Loaded	Unloaded	Inlet	Outlet
DFMN-30*A-4M	4	210	1000	2000	3/4"	1/2"
DFMN-30*A-6M	6	210	1000	2000	3/4"	1/2"
DFMN-30*A-8M	8.4	210	1000	2000	3/4"	1/2"
DFMN-30*A-11M	11	210	1000	2000	3/4"	1/2"
DFMN-30*A-13M	13	210	1000	2000	3/4"	1/2"
DFMN-30*A-14M	14.3	210	1000	2000	3/4"	1/2"
DFMN-30*A-17M	16.5	210	1000	2000	3/4"	1/2"
DFMN-30*A-19M	19.2	210	1000	2000	3/4"	1/2"
DFMN-30*A-23M	23	210	1000	2000	3/4"	1/2"
DFMN-30*A-25M	25	210	1000	2000	3/4"	3/4"
DFMN-30*A-28M	28	210	1000	2000	3/4"	3/4"
DFMN-30*A-30M	30	210	1000	2000	3/4"	3/4"
DFMN-30*A-35M	35	210	1000	2000	3/4"	3/4"

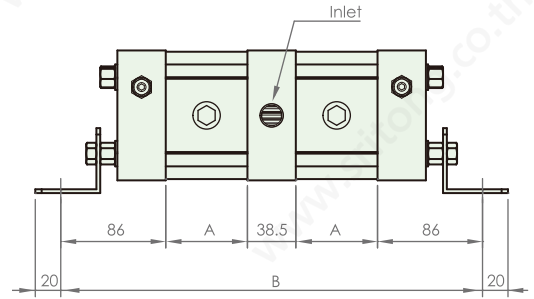
* The initial pressure : 30kgf/cm²

DIMENSIONS (unit : mm)

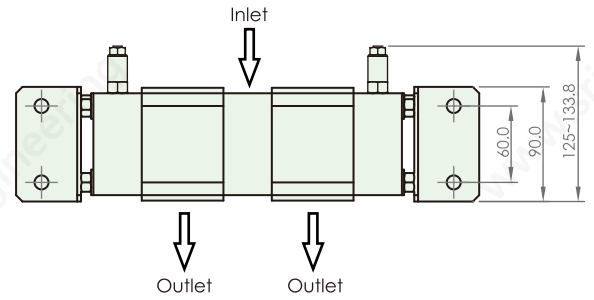
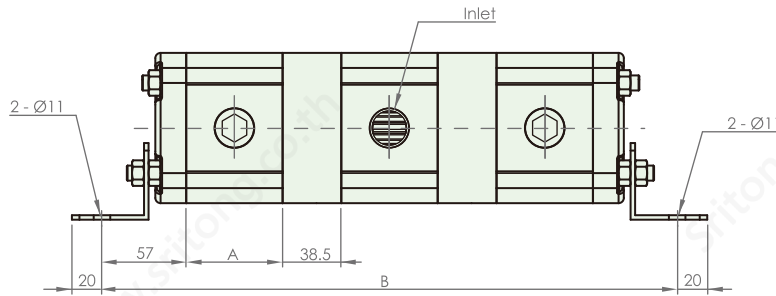
DFMN-302A-M



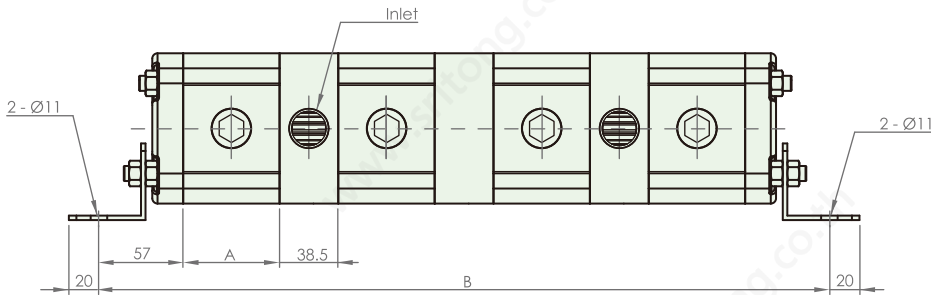
DFMN-302A-MR



DFMN-303A-M



DFMN-304A



Model	A	B	Model	A	B	Model	A	B
DFMN-302A-4M	49	250.5	DFMN-303A-4M	49	338	DFMN-304A-4M	49	425.5
DFMN-302A-6M	52	256.5	DFMN-303A-6M	52	347	DFMN-304A-6M	52	437.5
DFMN-302A-8M	55	262.5	DFMN-303A-8M	55	356	DFMN-304A-8M	55	449.5
DFMN-302A-11M	60	272.5	DFMN-303A-11M	60	371	DFMN-304A-11M	60	469.5
DFMN-302A-13M	64	280.5	DFMN-303A-13M	64	383	DFMN-304A-13M	64	485.5
DFMN-302A-14M	66	284.5	DFMN-303A-14M	66	389	DFMN-304A-14M	66	493.5
DFMN-302A-17M	70	292.5	DFMN-303A-17M	70	401	DFMN-304A-17M	70	509.5
DFMN-302A-19M	74	300.5	DFMN-303A-19M	74	413	DFMN-304A-19M	74	525.5
DFMN-302A-23M	81	314.5	DFMN-303A-23M	81	434	DFMN-304A-23M	81	553.5
DFMN-302A-25M	84	320.5	DFMN-303A-25M	84	443	DFMN-304A-25M	84	565.5
DFMN-302A-28M	88	328.5	DFMN-303A-28M	88	455	DFMN-304A-28M	88	581.5
DFMN-302A-30M	92	336.5	DFMN-303A-30M	92	467	DFMN-304A-30M	92	597.5
DFMN-302A-35M	102	356.5	DFMN-303A-35M	102	497	DFMN-304A-35M	102	637.5