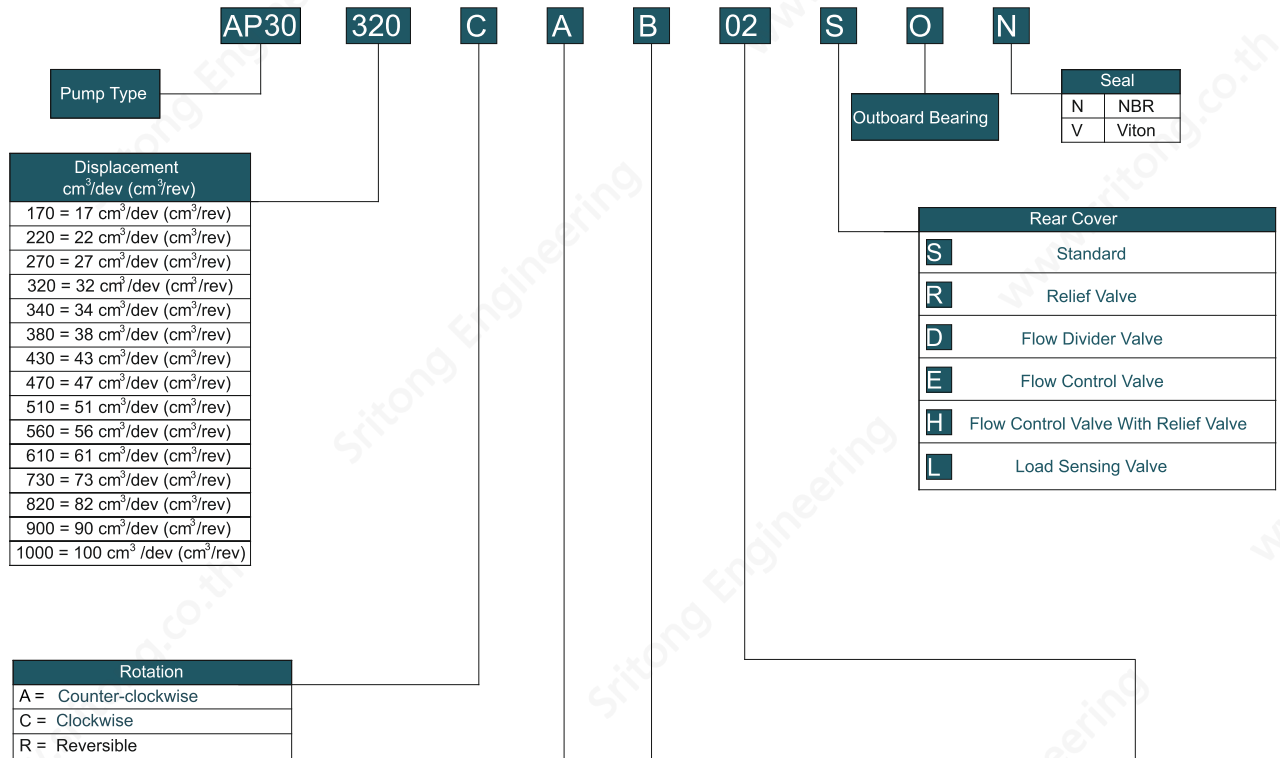


## ORDERING CODE OF AP30 PUMPS



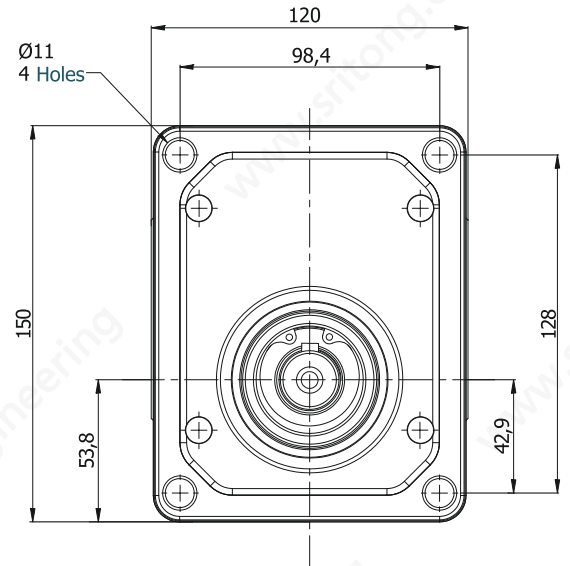
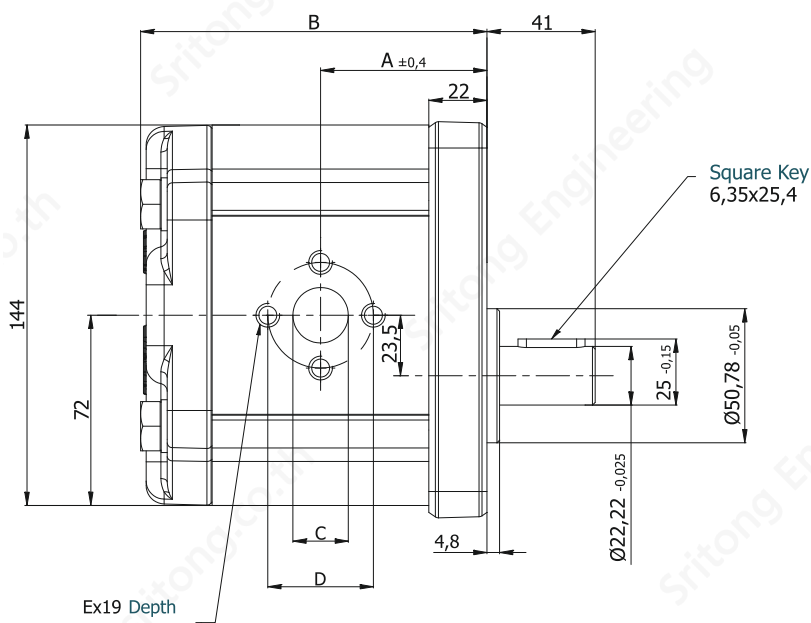
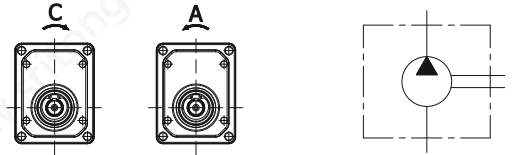
Front Cover		
<b>A</b>	Square flange	Ø50,78 mm
<b>D</b>	2 Bolts SAEJ 744 101-2B	Ø101,6 mm
<b>G</b>	Square flange	Ø105 mm
<b>H</b>	2 Bolts SAE 'A'	Ø82,55 mm
<b>K</b>	2 Bolts SAE 'B'	Ø101,6 mm
<b>L</b>	Square flange	Ø60,3 mm
<b>S</b>	3 Bolts UNI Type	Ø52 mm

Drive Shaft		
<b>A</b>	Tapered key shaft	1:5
<b>B</b>	Tapered key shaft	1:8
<b>C</b>	SAE spline shaft 13T	
<b>D</b>	SAE spline shaft 15T	
<b>H</b>	Parallel shaft	
<b>K</b>	Tapered key shaft	1:8
<b>M</b>	SAE spline shaft J498B 13T	
<b>P</b>	Parallel shaft	
<b>U</b>	DIN 5463 spline shaft 6T	

Inlet and Outlet Ports		
<b>01</b>		Rectangular
<b>02</b>		Diamond
<b>03</b>		SAE Square Flange Thread Metric
<b>04</b>		UN-2B thread
<b>05</b>		Pipe thread
<b>06</b>		SAE Square Flange Thread UNC

**A** Front Cover

**H** Shaft Type



Pump Type	Displacement cm <sup>3</sup> /dev(cm <sup>3</sup> /rev)	Max. Pressure (bar)	Max. Speed d/d (rpm)	A ±0,4	B	Inlet			Outlet				
						C	D	E	c	d	e		
AP30.170.A/CAH02SN	17,0	250	3000	59,5	124,1	27	51	M10x19	19	40	M8x16		
AP30.220.A/CAH02SN	22,0			61,5	128,1								
AP30.270.A/CAH02SN	27,0			63,0	131,1								
AP30.320.A/CAH02SN	32,0	240		64,5	134,1								
AP30.340.A/CAH02SN	34,0			65,0	135,1								
AP30.380.A/CAH02SN	38,0			66,5	138,1								
AP30.430.A/CAH02SN	43,0	230	2500	68,0	141,1	33	62	M12x19	27	51	M10x19		
AP30.470.A/CAH02SN	47,0			69,5	144,1								
AP30.510.A/CAH02SN	51,0			210	70,5							146,1	
AP30.560.A/CAH02SN	56,0	200	71,5	148,1	1750							74,0	153,1
AP30.610.A/CAH02SN	61,0	180	74,0	153,1									
AP30.730.A/CAH02SN	73,0	170	77,0	160,1									
AP30.820.A/CAH02SN	82,0	160	1500	80,0	166,1	33	62	M12x19	27	51	M10x19		
AP30.900.A/CAH02SN	90,0	150		83,0	172,1								
AP30.1000.A/CAH02SN	100,0	140		86,0	178,1								