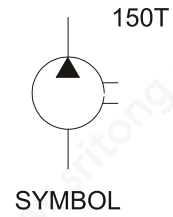
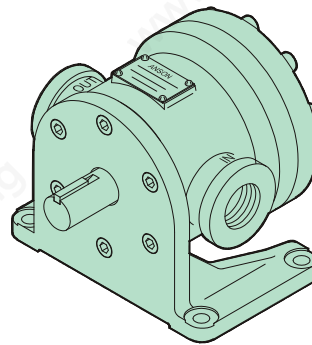
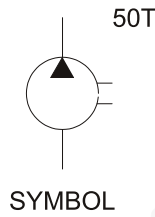
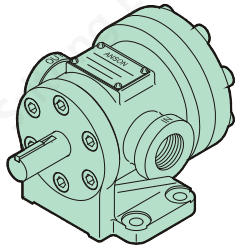


## 50T & 150T Series Fixed Displacement Vane Pump

**B**



Model	Delivery Flow lpm at no-load pressure				Running Speed(rpm) lpm		Max Pressure bar	Weight (kg)		
	Running Speed (rpm)				Max	Min		Foot Type	Flange type	
	1000	1200	1500	1800						
50T	50T-07	-----	9.0	11.2	13.5	1800	1200	105	10	9.5
	50T-12	12.0	14.4	18.0	21.6	1800	950	105	10	9.5
	50T-14	14.6	17.5	21.7	26.1	1800	950	105	10	9.5
	50T-17	17.0	20.3	25.5	31.5	1800	950	105	10	9.5
	50T-19	19.2	23.0	28.8	34.6	1800	950	105	10	9.5
	50T-21	21.1	25.3	31.7	38.0	1800	950	105	10	9.5
	50T-23	23.0	27.6	34.5	41.4	1800	950	105	10	9.5
	50T-26	26.2	31.4	39.3	47.2	1800	950	105	10	9.5
	50T-30	30.1	36.1	45.2	54.0	1800	950	105	10	9.5
	50T-36	36.2	43.4	54.3	-----	1500	950	70	10	9.5
50T-40	41.5	49.8	-----	-----	1200	950	70	10	9.5	
150T	150T-48	48.3	57.9	72.4	86.9	1800	900	90	24	24.0
	150T-61	61.5	73.8	92.2	110.7	1800	900	90	24	24.0
	150T-75	75.2	90.6	113.2	135.9	1500	900	90	24	24.0
	150T-94	94.2	113.0	141.3	-----	1500	900	70	24	24.0
	150T-116	116.3	139.6	-----	-----	1200	900	70	24	24.0

### ORDERING CODE

50T - 36 - F - R L - 20

Design Number 20: 50T Shaft  $\phi$ 19.05  
30: 50T Shaft  $\phi$ 22

Discharge Port Position  
Viewed From Shaft End  
R: On Right Hand L: On Left Hand (normal)

Direction of Rotation  
Viewed From Shaft End  
R: Clockwise L: Counter-Clockwise

Type of Mounting  
L: Foot Mounting F: Flange Mounting

Capacity Mark: (c.c/rev)  
50T: 07, 12, 14, 17, 19, 23, 26, 30, 36, 40  
150T: 48, 61, 75, 94, 116

Connections  
T: Threaded Connections F: Flanged Connections

Series Number  
50T. Fixed Displacement Vane Pump  
150T. Fixed Displacement Vane Pump

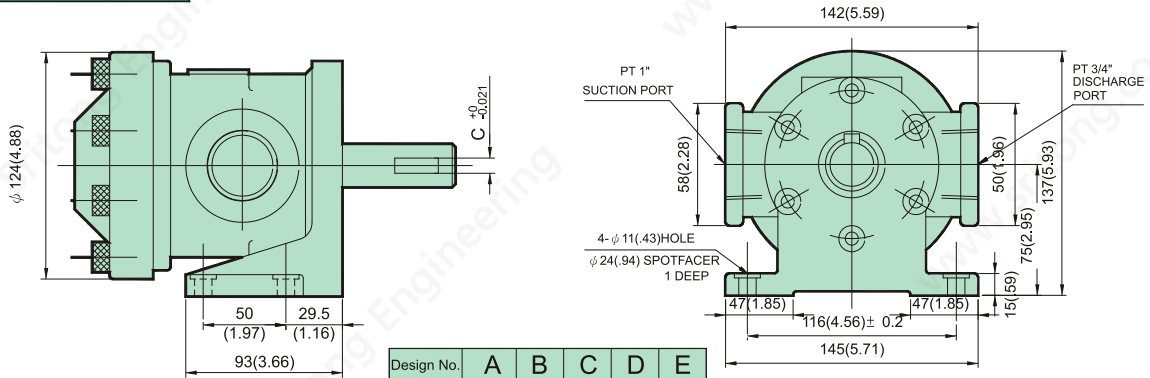




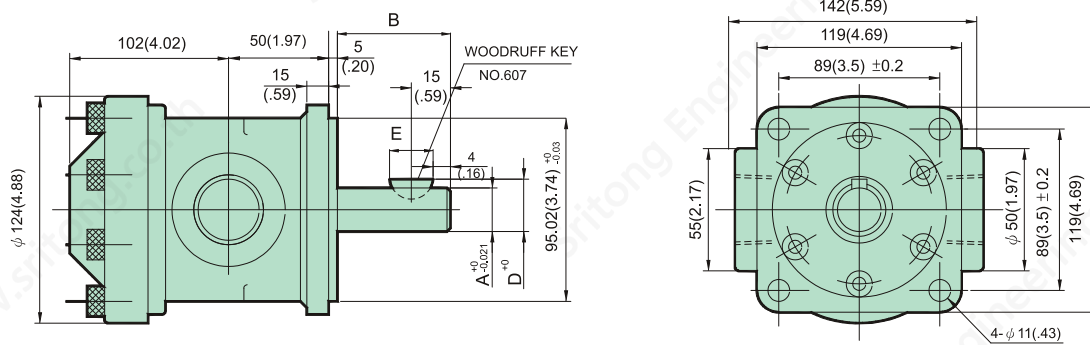
## DIMENSIONS

MILLIMETERS(INCHES)

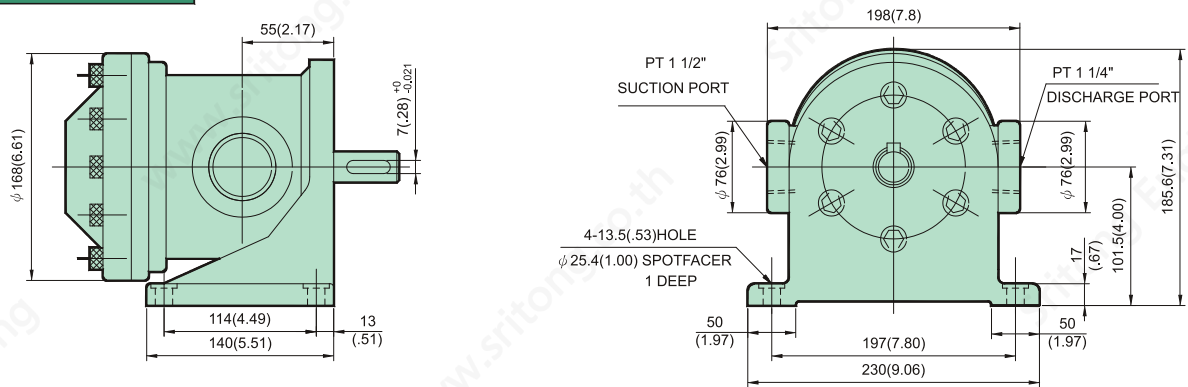
### 50T Foot Mounting



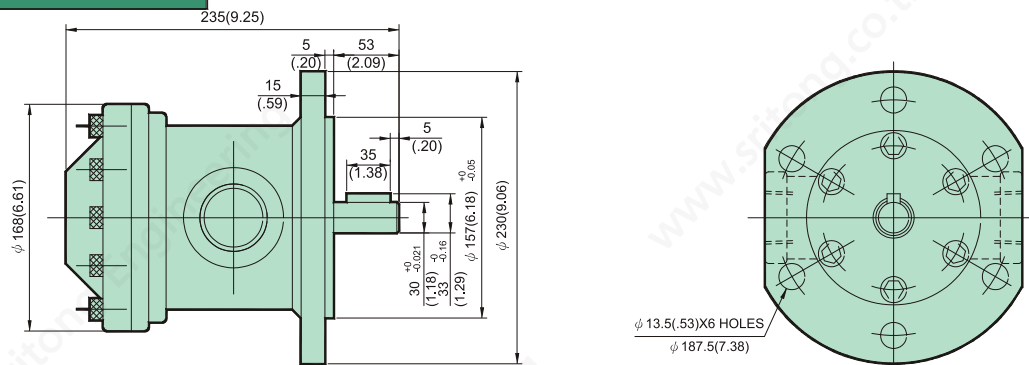
### 50T Flange Mounting



### 150T Foot Mounting



### 150T Flange Mounting



B